


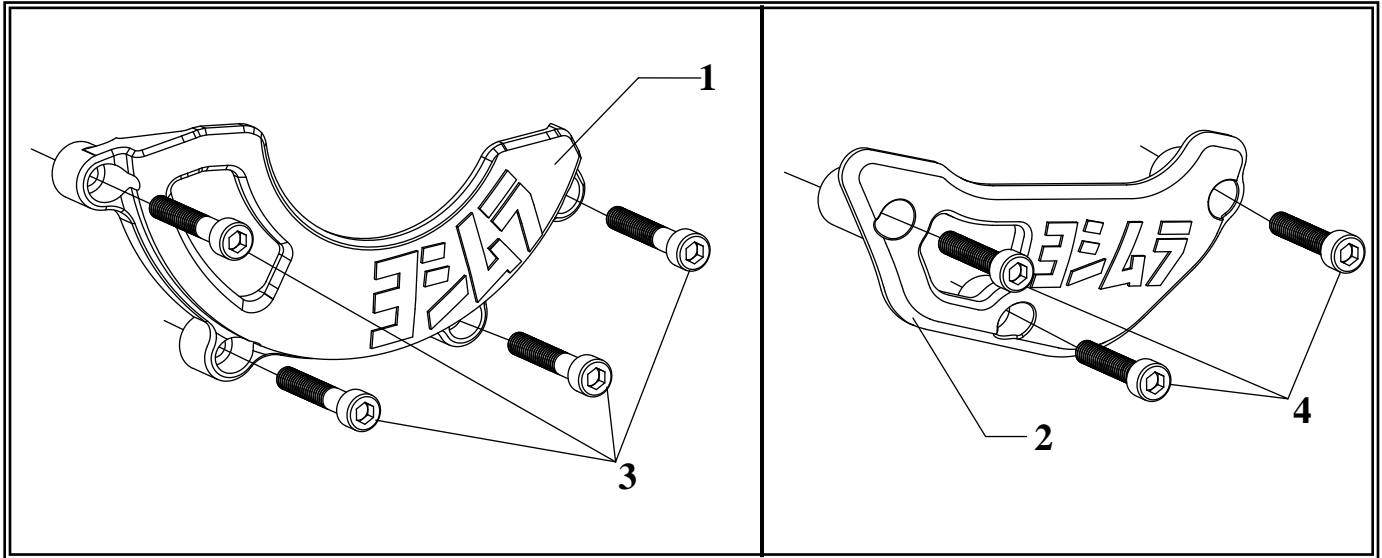


YOSHIMURA CASE SAVER KIT

APPLICATION

MAKE	MODEL
Kawasaki	ZX10R
PRODUCT	
030BG141800	Yoshimura Case Saver Kit, Black

 Read through all instructions before beginning installation. Be sure to prepare a clean work area. Take necessary safety precautions to ensure a safe working environment. Always use a bike stand whenever available.



No.	Part #	Description	Qty
1	030BG141800LF	Left Case Saver	1
2	030BG141800RF	Right Case Saver	1
3	M6X35	35mm Head Cap Screws	4
4	M6X30	30mm Head Cap Screws	3
**	17020C	Yoshimura Sticker	2

Yoshimura Case Savers are designed to reduce damage to the engine cases in the event of a light or mild crash ONLY. The Case Savers are not designed to prevent damage to the engine cases completely, nor are they designed to prevent damage to fairings or body work.

-TOOLS REQUIRED-

Torque Wrench

Metric Allen Wrench Set

Ratchet and Extension

-INSTALLATION-

1. ***Remove the (4) stock bolts on the left side engine cover and install Yoshimura left side case saver using the (4) supplied 6mm x 35mm bolts.***

IMPORTANT: DO NOT REMOVE ENGINE COVER.

2. ***Remove the (3) stock bolts on the right side engine cover and install Yoshimura right side case saver using the (3) supplied 6mm x 30mm bolts.***

IMPORTANT: DO NOT REMOVE ENGINE COVER.

3. ***Torque bolts to 8 lb-ft. (1.1kg-m, 11Nm)***