



YOSHIMURA

RESEARCH & DEVELOPMENT OF AMERICA, INC.

5420 DANIELS STREET STE A, CHINO CALIF. 91710 · (800)634-9166 · (909)628-4722 · FACSIMILE (909)591-2198

www.yoshimura-rd.com

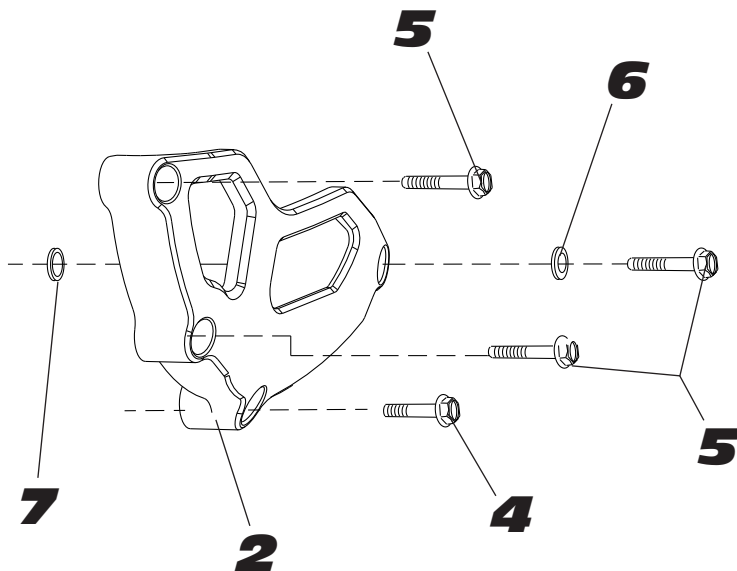
YOSHIMURA CASE SAVER KIT

SUZUKI
GSXR1000

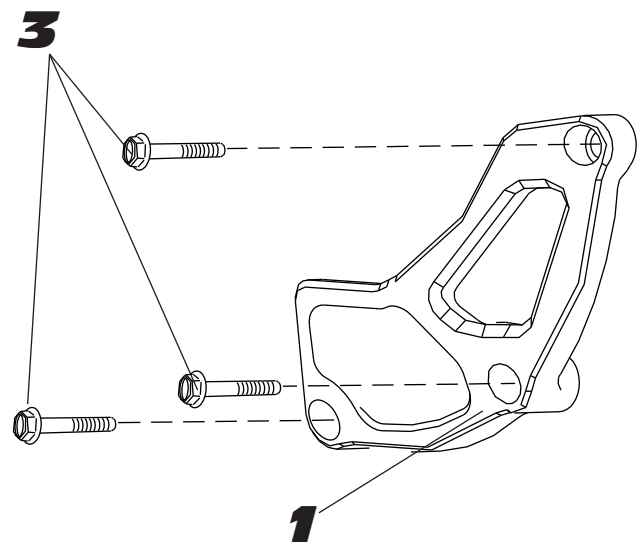
030HA111700

YOSHIMURA CASE SAVER KIT

LEFT



RIGHT



Part List:

NO.	DESCRIPTION	QTY	PART #
1	Right Case Saver	1	030HA111700RF
2	Left Case Saver	1	030HA111700LF
3	6mm x 35mm Socket Head Cap Screw	3	M6X35
4	6mm x 40mm Socket Head Cap Screw	1	M6X40
5	6mm x 50mm Socket Head Cap Screw	3	M6X50
6	6mm Copper Washer	1	6MMCWSH
7	6mm O-Ring	1	93125K19
**	Yoshimura Sticker	2	17020C

Yoshimura Case Savers are designed to reduce damage to the engine cases in the event of a light or mild crash ONLY. The Case Savers are not designed to prevent damage to the engine cases completely, nor are they designed to prevent damage to fairings or body work.

Note: Read through all instructions before beginning installation be sure to prepare a clean work area. Take necessary safety precautions to ensure a safe working environment. Always use a bike stand whenever available.

Tools Needed:

Metric Socket Set
Ratchet and Extension
Metric Allen Socket Set
Torque Wrench

Installation Steps:

1. Remove four left side engine cover bolts. Install Yoshimura left side case saver using the hardware supplied in the kit as shown in Fig. 1. See diagram for proper orientation and order of hardware.

NOTE: DO NOT REMOVE ENGINE COVER.

2. Torque supplied bolts to 1.1 kg-m (8.0 lb-ft).
3. Remove the three right side engine cover bolts. Install Yoshimura right side case saver using the three bolts supplied in the kit as shown in Fig. 2. See diagram for proper orientation and order of hardware.

NOTE: DO NOT REMOVE ENGINE COVER.

4. Torque supplied bolts to 1.1kg-m (8.0 lb-ft).

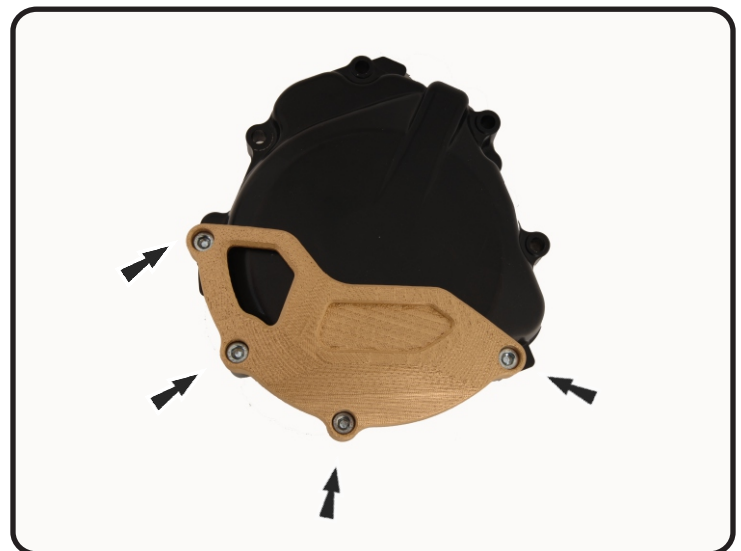


Fig. 1



Fig. 2