



YOSHIMURA

RESEARCH & DEVELOPMENT OF AMERICA, INC.

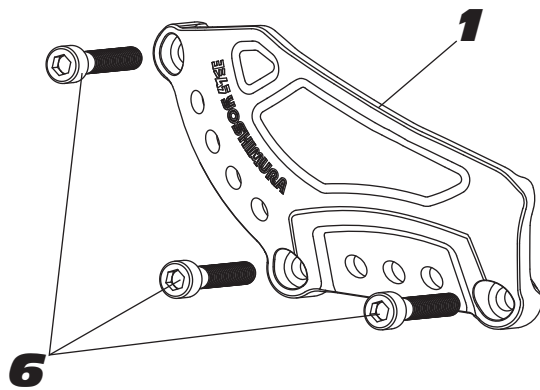
5420 DANIELS STREET STE A, CHINO CALIF. 91710 · (800) 634-9166 · (909) 628-4722 · FACSIMILE (909) 591-2198

www.yoshimura-rd.com

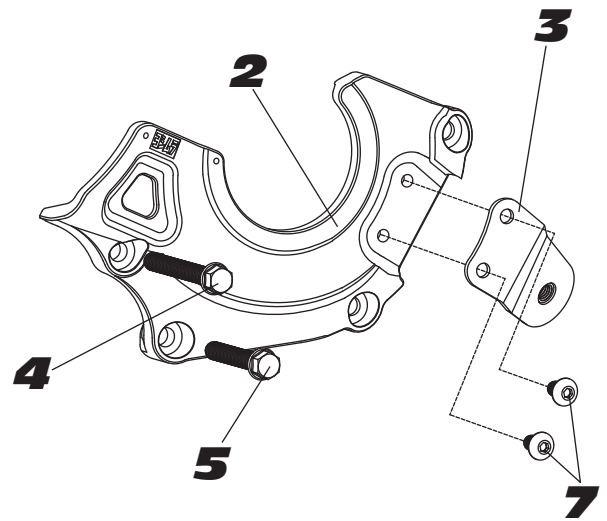
YOSHIMURA CASE SAVER KIT

SUZUKI
GSX-R1000

030HA111820



LEFT



RIGHT

Part List:

NO.	DESCRIPTION	QTY	PART #
1	Left Case Saver	1	030HA111820-L
2	Right Case Saver	1	030HA111821-R
3	Fairing Bracket	1	030HA111820-RB
4	6mm x 45mm Flanged Hex Head Bolt	1	M6X45SH
5	6mm x 35mm Flanged Hex Head Bolt	1	M6X35SH
6	6mm x 35mm Socket Head Cap Bolt	3	M6X35
7	5mm x 8mm Button Head Screw	2	M5X8BHS
**	Yoshimura Sticker	1	17029

Yoshimura Case Savers are designed to reduce damage to the engine cases in the event of a light or mild crash ONLY. The Case Savers are not designed to prevent damage to the engine cases completely, nor are they designed to prevent damage to fairings or body work.

Read through all instructions before beginning installation and be sure to prepare a clean work area. Take necessary safety precautions to ensure a safe working environment. Always use a bike stand whenever available.

Tools Required:

Metric Socket Set
Ratchet and Extension
Metric Allen Socket Set
Torque Wrench

Installation Steps:

1. Remove the three left side engine cover bolts.

Note: Do not remove engine cover.

2. Install Yoshimura left side case saver using the three supplied 6mm x 35mm bolts as shown on the diagram on page 1.
3. Torque case cover bolts to factory specification.
4. Remove right side upper and lower cowls.
5. Remove the four right side engine cover bolts.

Note: Do not remove engine cover.

6. Install Yoshimura right side case saver using the supplied bolts and stock bolts as shown on the diagram on page 1.

Note¹: The 6mm x 45mm bolt is the last bolt from the rear.

Note²: The 6mm x 35mm bolt is the second to last bolt from the rear.

Note³: The two forward bolts are stock.

7. Torque case cover bolts to factory specification.
8. Install fairing bracket to right case saver using the two supplied 5mm bolts as shown on the diagram on page 1.
9. Re-install the right side upper and lower cowl.

