



YOSHIMURA

RESEARCH&DEVELOPMENT OF AMERICA, INC.

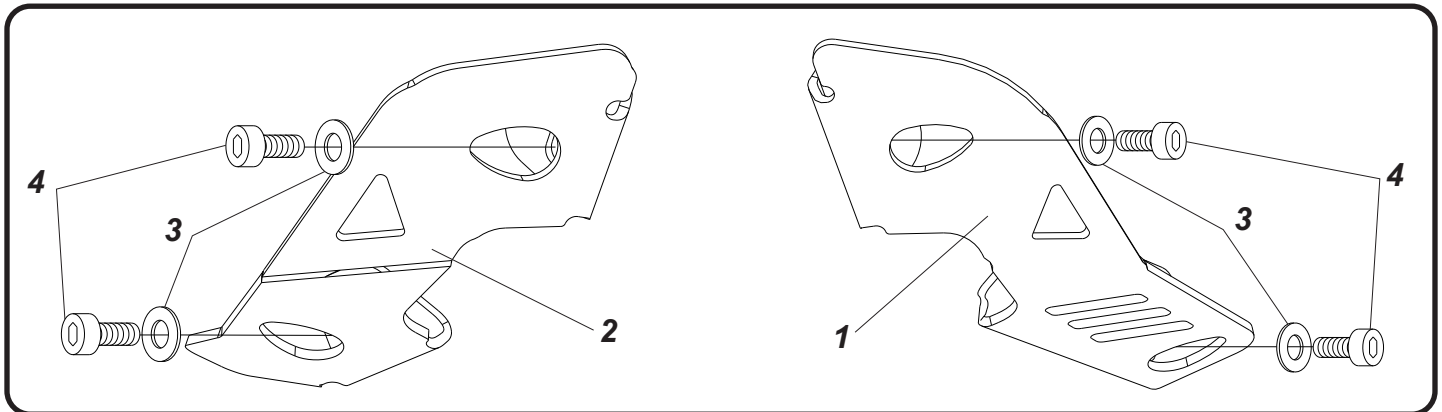
5420 DANIELS STREET STE A, CHINO CALIF. 91710 · (800)634-9166 · (909)628-4722 · FACSIMILE (909)591-2198

www.yoshimura-rd.com

YOSHIMURA CASE SAVER KIT

SUZUKI
DR-2400S/SM

030HA116600



NO.	DESCRIPTION	QTY	PART #
1	Yoshimura Left Cast Saver	1	030HA116600L
2	Yoshimura Right Case Saver	1	030HA116600R
3	8mm Washer	4	8MMWASHER
4	8mm x 16mm Socket Head Screw	4	M8X16

Installation Instructions:

1. Remove stock plastic case savers. (Remove one side first, then other side)
2. Using the supplied hardware, mount one case saver to each side of the frame. Each case saver uses 2 bolts and 2 washers.
3. Torque each bolt to 9.5 lb-ft (13 N-m)

Yoshimura Case Savers are designed to reduce damage to the engine cases in the event of a light or mild crash **ONLY**. The Case Savers are not designed to prevent damage to the engine cases completely, nor are they designed to prevent damage to fairings or body work.