



YOSHIMURA

RESEARCH & DEVELOPMENT OF AMERICA, INC.

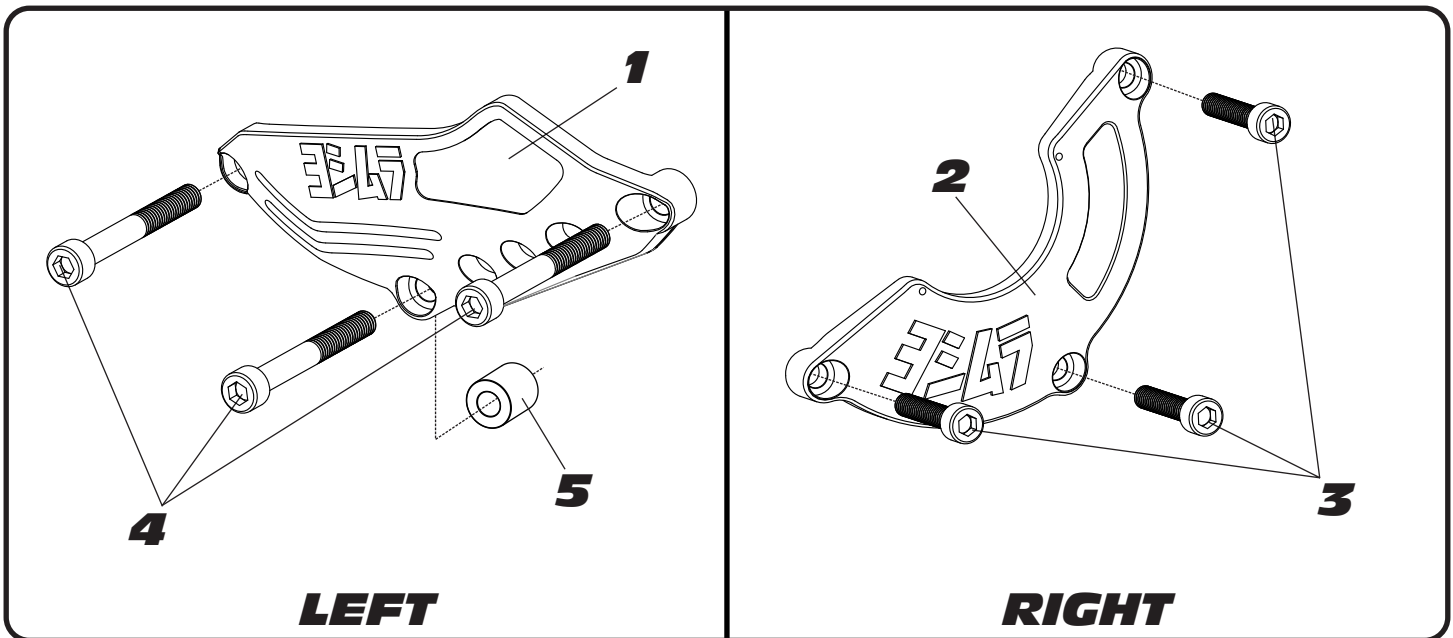
5420 DANIELS STREET STE A, CHINO CALIF. 91710 · (800) 634-9166 · (909) 628-4722 · FACSIMILE (909) 591-2198

www.yoshimura-rd.com

YOSHIMURA CASE SAVER KIT

SUZUKI
GSX-S750

030HA118000



Part List:

NO.	DESCRIPTION	QTY	PART #
1	Left Case Saver	1	030HA118000L
2	Right Case Saver	1	030HA118000R
3	6mm x 30mm Socket Head Cap Bolt	3	M6X30
4	6mm x 50mm Socket Head Cap Bolt	3	M6X50
5	Aluminum Spacer	1	6X13X15SPCRHA
**	Yoshimura Sticker	1	17029

Yoshimura Case Savers are designed to reduce damage to the engine cases in the event of a light or mild crash ONLY. The Case Savers are not designed to prevent damage to the engine cases completely, nor are they designed to prevent damage to fairings or body work.

Read through all instructions before beginning installation be sure to prepare a clean work area. Take necessary safety precautions to ensure a safe working environment. Always use a bike stand whenever available.

Tools Required:

Metric Socket Set
Ratchet and Extension
Metric Allen Socket Set
Torque Wrench

Installation Steps:

1. Remove the three left side engine cover bolts.

Note: Do not remove engine cover.

2. Install Yoshimura left side case saver using the three supplied 6mm x 50mm bolts and spacer as shown on the diagram on page 1.

3. Torque bolts to factory specification.

4. Remove the three right side engine cover bolts.

Note: Do not remove engine cover.

5. Install Yoshimura right side case saver using the three supplied 6mm x 30mm bolts. See diagram on page 1.

6. Torque bolts to factory specification.

