



YOSHIMURA

RESEARCH & DEVELOPMENT OF AMERICA, INC.

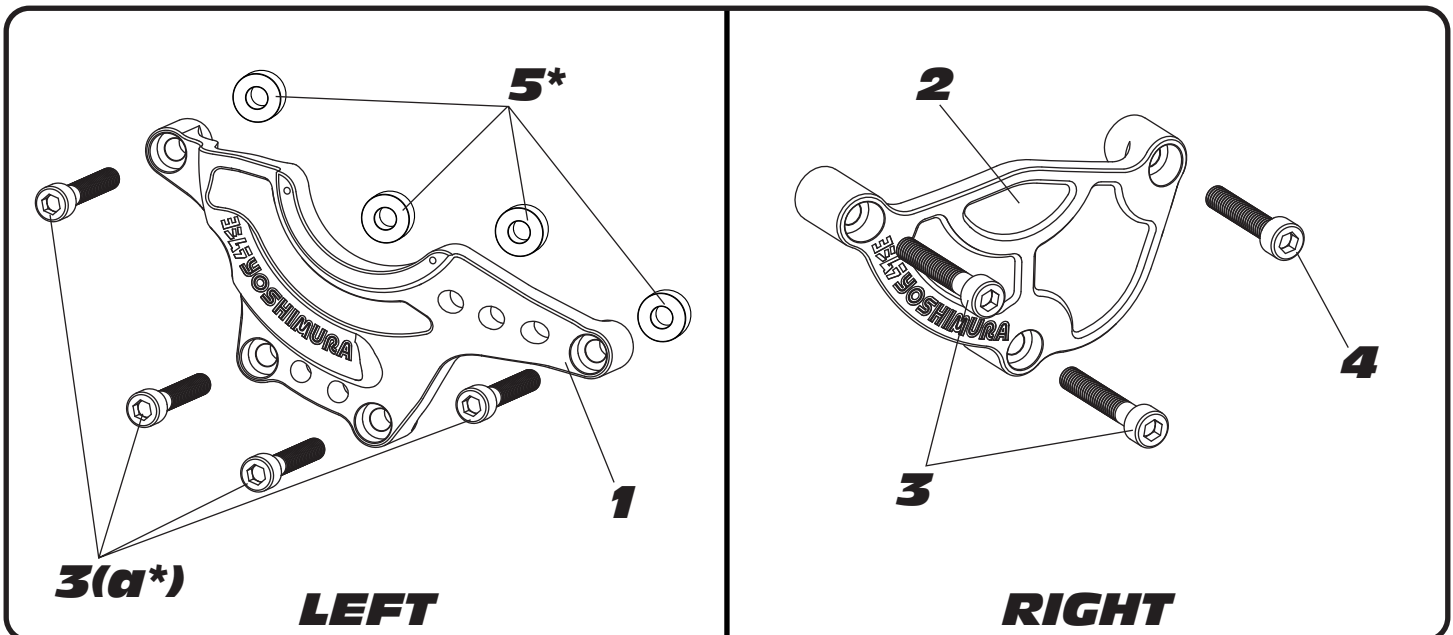
5420 DANIELS STREET STE A, CHINO CALIF. 91710 · (800) 634-9166 · (909) 628-4722 · FAX (909)591-2198

www.yoshimura-rd.com

YOSHIMURA CASE SAVER KIT

YAMAHA
R1 / FZ-10

030HA131000



Part List:

NO.	DESCRIPTION	QTY	PART #
1	Left Case Saver	1	030HA131410L
2	Right Case Saver	1	030HA131410R
3	6mm x 35mm Socket Head Cap Bolt	6	M6X35
3a*	6mm x 50mm Socket Head Cap Bolt (for FZ-10)	4	M6X50
4	6mm x 30mm Socket Head Cap Bolt	1	M6X30
5*	Aluminum Spacer (for FZ-10)	4	6X14X6SPCRHA
**	Yoshimura Sticker	1	17029

Yoshimura Case Savers are designed to reduce damage to the engine cases in the event of a light or mild crash ONLY. The Case Savers are not designed to prevent damage to the engine cases completely, nor are they designed to prevent damage to fairings or body work.

Read through all instructions before beginning installation be sure to prepare a clean work area. Take necessary safety precautions to ensure a safe working environment. Always use a bike stand whenever available.

Tools Required:

Metric Socket Set
Ratchet and Extension
Metric Allen Socket Set
Torque Wrench

Installation Steps:

1. Remove the four left side engine cover bolts.

Note: Do not remove engine cover.

2. Install Yoshimura left side case saver using the four supplied 6mm x 35mm bolts as shown on the diagram on page 1.

Note: For FZ-10, use 6mm x 50mm bolts and aluminum spacers.

3. Torque bolts to factory specification.
4. Remove the three right side engine cover bolts.

Note: Do not remove engine cover.

5. Install Yoshimura right side case saver using the supplied bolts. See diagram on page 1 for proper orientation and order of hardware.

Note: The 6mm x 30mm bolt is toward the front.

6. Torque bolts to factory specification.

