

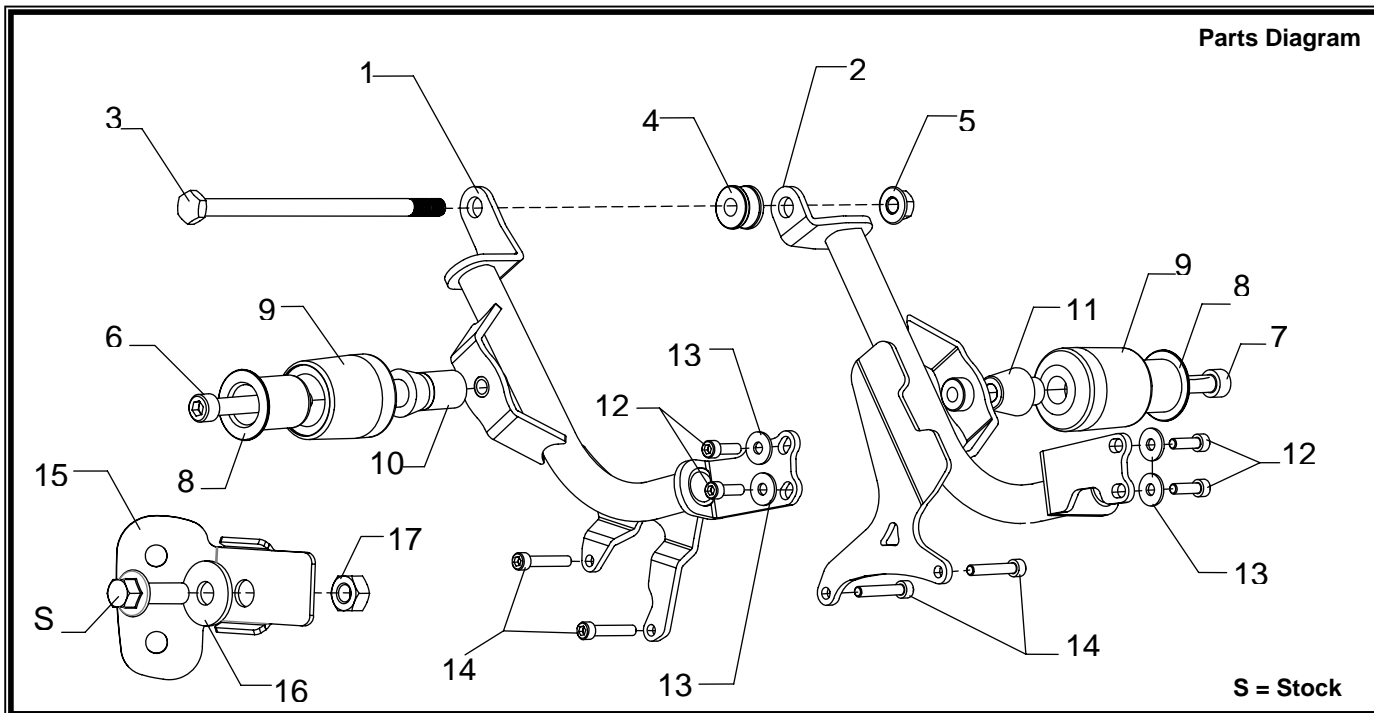


# CHASSIS PROTECTOR KIT

**APPLICATION**

YEAR	MODEL
2008-2012	Kawasaki Ninja250R
PRODUCT	
040BG140700	Ninja250R Chassis Protector Kit

**!** Read through all instructions before beginning installation. Motorcycle can be extremely hot after riding. Let motorcycle cool down before beginning installation. Always wear hand and eye protection and take precautionary measures to avoid injury.



No.	Part #	Description	Qty
1	040BG140700L	Left Chassis Protector Bracket	1
2	040BG140700R	Right Chassis Protector Bracket	1
3	M10X1.5X240	10mm x 240mm Engine Mount Bolt	1
4	10X15SPC	10mm x 15mm Spacer	1
5	10MMX1.5FNUT	10mm Flange Nut	1
6	M10X80	10mm x 80mm Socket Head Cap Screw	1
7	M10X1.5X55	10mm x 55mm Socket Head Cap Screw	1
8	1115-A03-01-IK	Chassis Protector Aluminum Insert	2
9	1115-A03-01	Chassis Protector	2
10	040BG1040700SL	Left Aluminum Spacer	1
11	1115-A02-03	Right Aluminum Spacer	1
12	M6X20	6mm x 20mm Socket Head Cap Screw	4
13	6MMWASHERL	6mm Large Washer	4
14	M6X35	6mm x 35mm Socket Head Cap Screw	4
15	040BG140700BKT	Separator Bracket	1
16	6MMWASHER	6mm Washer	1
17	6MMLN	6mm Lock Nut	1
**	17020C	Sticker Sheet	2

## **-TOOLS REQUIRED-**

*Metric Socket Set*

*Combination Wrench Set*

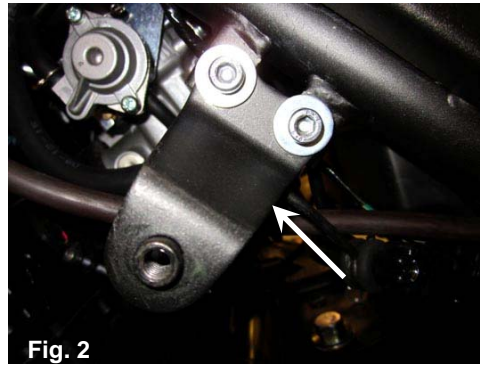
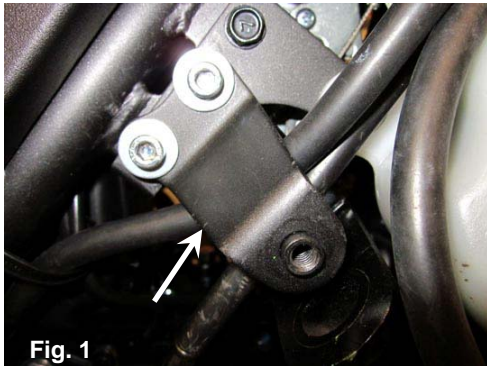
*Torque Wrench*

*Metric Allen Wrench Set*

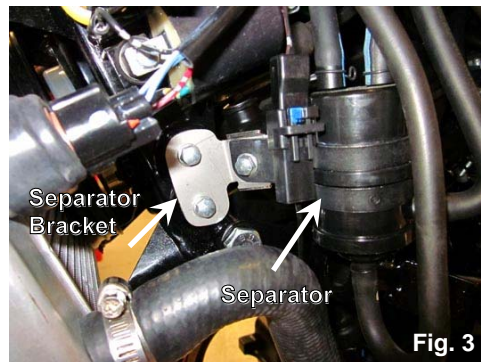
*Screwdriver*

## **-REMOVAL-**

- 1. Remove left and right fairings as per Factory Service Manual.**
- 2. Remove left and right fairing mount brackets. See Fig. 1 and 2**



- 3. Remove stock separator bracket and remove separator from bracket. See Fig. 3**



- 4. Remove engine mount bolt and nut. (Note: To ease removal of the engine mount bolt, the use of a floor jack may be required under the oil pan to lightly support the engine.)**
- 5. Remove the (2) stock engine case bolts on the left and right side where the chassis protector bracket will be mounted.**

## **-INSTALLATION-**

- 1. Assemble left and right chassis protector. See parts diagram for orientation.**
- 2. Install left side chassis protector by aligning chassis protector bracket mounting holes to fairing mount tab on frame. Place fairing mount bracket in front of chassis protector mount. Install provided bolts and washer. Do not torque at this time.**
- 3. Align left side chassis protector bracket mounting holes onto engine case and install using provided bolts. Do not torque at this time.**
- 4. Install provided Yoshimura separator bracket to frame using stock bolts and secure separator to separator bracket using the stock bolt and the provided 6mm washer and nut. See Fig. 3**

5. ***Install right side chassis protector by aligning chassis protector bracket mounting holes to fairing mount tab on frame. Place fairing mount bracket in front of chassis protector mount. Install provided bolts and washer. Do not torque at this time.***
6. ***Align right side chassis protector bracket mounting holes onto engine case and install using provided bolts. Do not torque at this time.***
7. ***Install provided engine mount bolt, spacer, and nut. See parts diagram for orientation.***
8. ***Torque engine mount bolt and chassis protector bolt to 50 Nm. (36 ft-lb, 5 kg-m)***
9. ***Torque engine case bolt, fairing mount bracket bolt, and separator bracket and separator to 10 Nm. (7 ft-lb, 1 kg-m)***
10. ***Re-install left and right fairing using the reverse steps of removal.***