


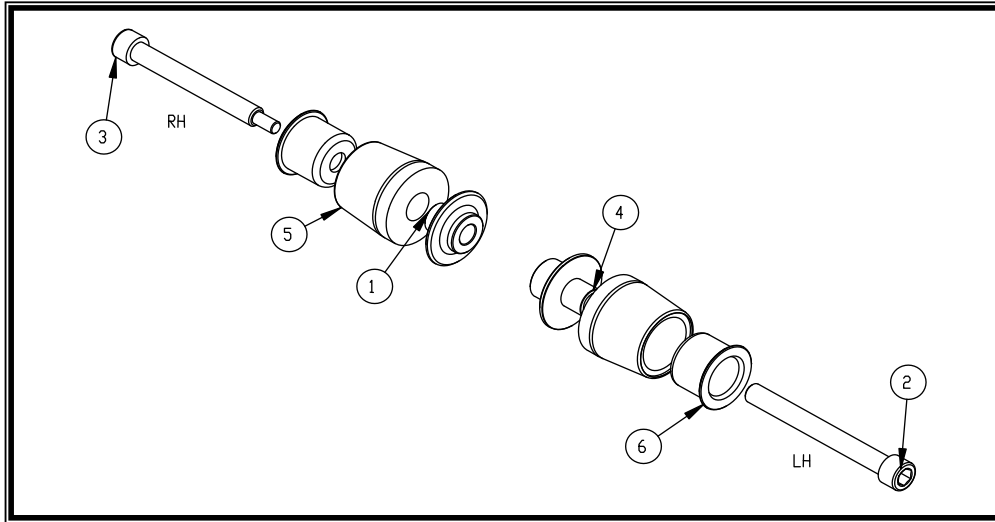


CHASSIS PROTECTOR KIT

APPLICATION

MAKE	MODEL
Honda	CB1000R
PRODUCT	
040HA121000	CB1000R Chassis Protector Kit

 Read through all instructions before beginning installation. Motorcycle can be extremely hot. Let motorcycle cool down before beginning installation. Always wear hand and eye protection and take precautionary measures to avoid injury.



No.	Part #	Description	Qty
1	040HA121000SR	Right Chassis Protector Spacer	1
2	M12X1.25X110	Left Chassis Protector Bolt	1
3	M12X1.25X110M	Right Chassis Protector Bolt	1
4	040HA110400SR	Left Chassis Protector Spacer	1
5	040BG-MS	Chassis Protector	2
6	040HA-MSI-12	Aluminum Insert	2
**	17020C	Sticker Sheet	2

-TOOLS REQUIRED-

Metric Socket Set • Combination Wrench Set • Torque Wrench • Metric Allen Wrench Set

-INSTALLATION-

1. Remove right side engine mount bolt.
2. Install Yoshimura right side chassis protector according to diagram using the provided hardware.
3. Torque to factory specification.
4. Remove left side engine mount bolt.
5. Install Yoshimura left side chassis protector according to diagram using the provided hardware.
6. Torque to factory specification.

Note: Install Yoshimura chassis protector one side at a time. **DO NOT** remove both left and right engine mount bolts simultaneously. Doing so may cause engine to sag or drop and as a result the mounting holes may be misaligned.