



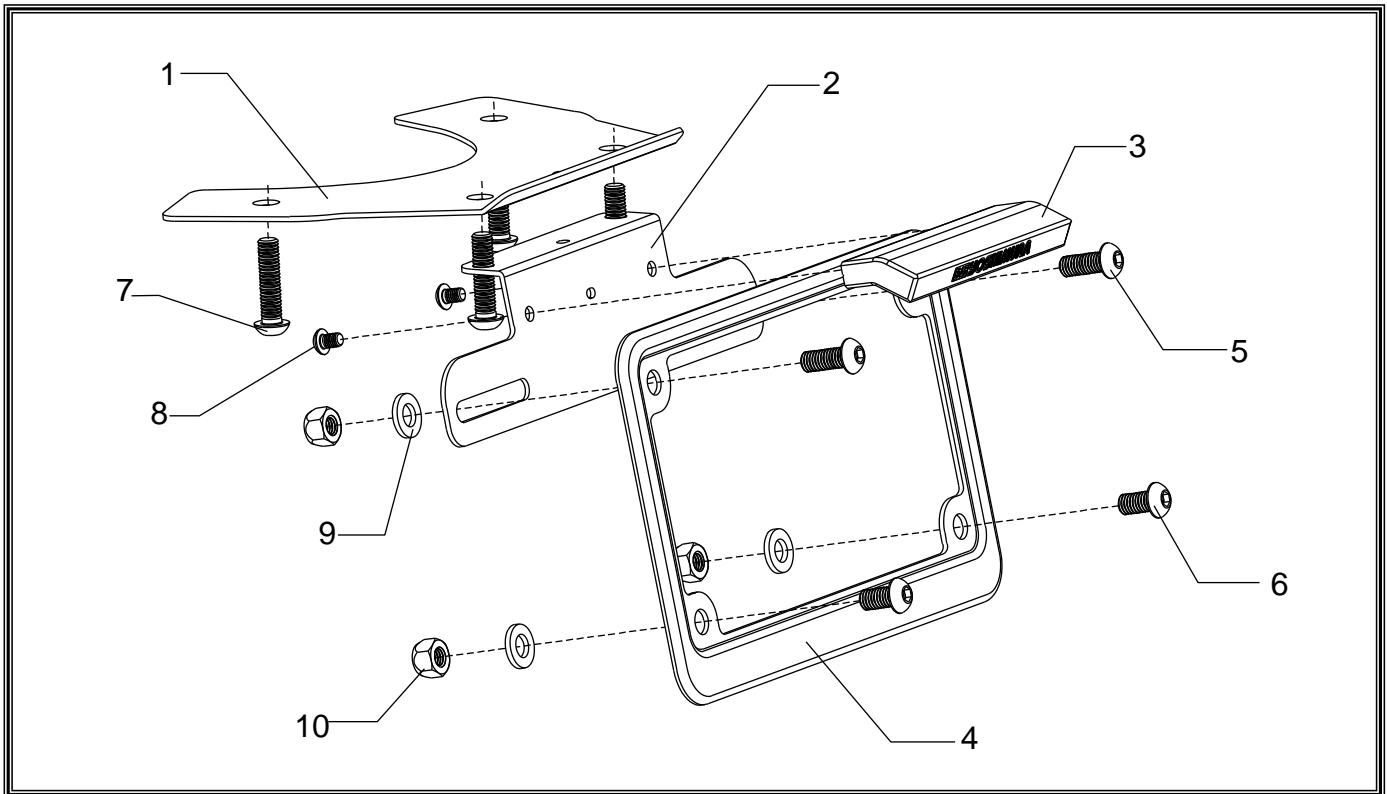
Fender Eliminator Kit

APPLICATION

MAKE	MODEL
Suzuki	GSXR 1000
PRODUCT	
070BG111801	Fender Eliminator Kit



This product is not DOT approved. Yoshimura R&D of America, Inc. is not liable or responsible for any resulting event caused by the installation of this product. Check with local laws and regulations for compliance prior to installation and use. This product is not intended for use on public highways.



No.	Part #	Description	Qty
1	11180-FEBKT2	Yoshimura Fender Eliminator Bracket	1
2	11180-FEBKT1	Yoshimura License Plate Bracket	1
3	070BG-LH-K	Yoshimura LED Fender Eliminator Light	1
4	070BG-LPF	Yoshimura License Plate Frame	1
5	M6X16BHS	6mm x 16mm Button Head Screw	2
6	M6X14BHS	6mm x 14mm Button Head Screw	2
7	M6X30BHS	6mm x 30mm Button Head Screw	4
8	M4X6BHS	4mm x 6mm Button Head Screw	2
9	6MMWASHER	6mm Washer	4
10	6MMLN	6mm Nylon Lock Nut	4
**	94785-01-ND	Butt Connectors	2
**	17029	Yoshimura Sticker Sheet	1

-TOOLS REQUIRED-

Metric Socket Set • Combination Wrench Set • Metric Allen Wrench Set

-REMOVAL-

- 1. Remove left side cowling from the tail section and disconnect the license plate light connector.***
- 2. Remove the stock fender by removing the (4) bolts.***
- 3. Cut the stock license plate light connector from the stock fender. BE SURE TO CUT AT LEAST A 6" SECTION OF WIRE FROM THE CONNECTOR.***

-INSTALLATION-

- 1. Assemble and install license plate light and license plate frame to Yoshimura license plate bracket using the hardware provided in the kit. See diagram for proper orientation and order of hardware.***
- 2. Route wiring through hole in bracket, then through tail section to stock location.***
- 3. Using the connectors provided in the kit, connect the Yoshimura Fender Eliminator wires to the stock license plate light connector as follows: Red wire goes to Gray wire; Black wire goes to Black w/ White stripe.***
- 4. Install assembled license plate bracket to fender eliminator bracket as shown in the parts diagram.***
- 5. Check for function of license plate light and that all brackets and pieces are secure prior to riding.***