



# YOSHIMURA

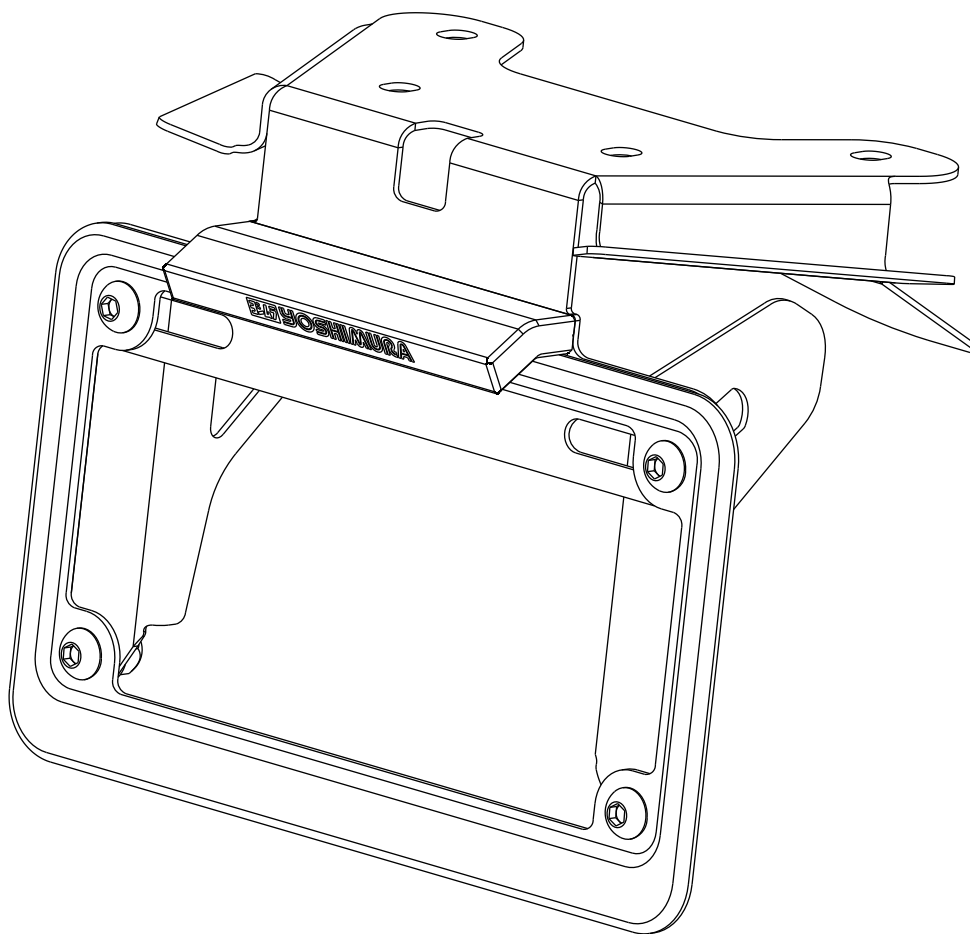
RESEARCH&DEVELOPMENT OF AMERICA, INC.

5420 DANIELS STREET STE A, CHINO CA., 91710 · (800)634-9166 · (909)628-4722 · FACSIMILE (909)591-2198

[www.yoshimura-rd.com](http://www.yoshimura-rd.com)

## **FENDER ELIMINATOR KIT**

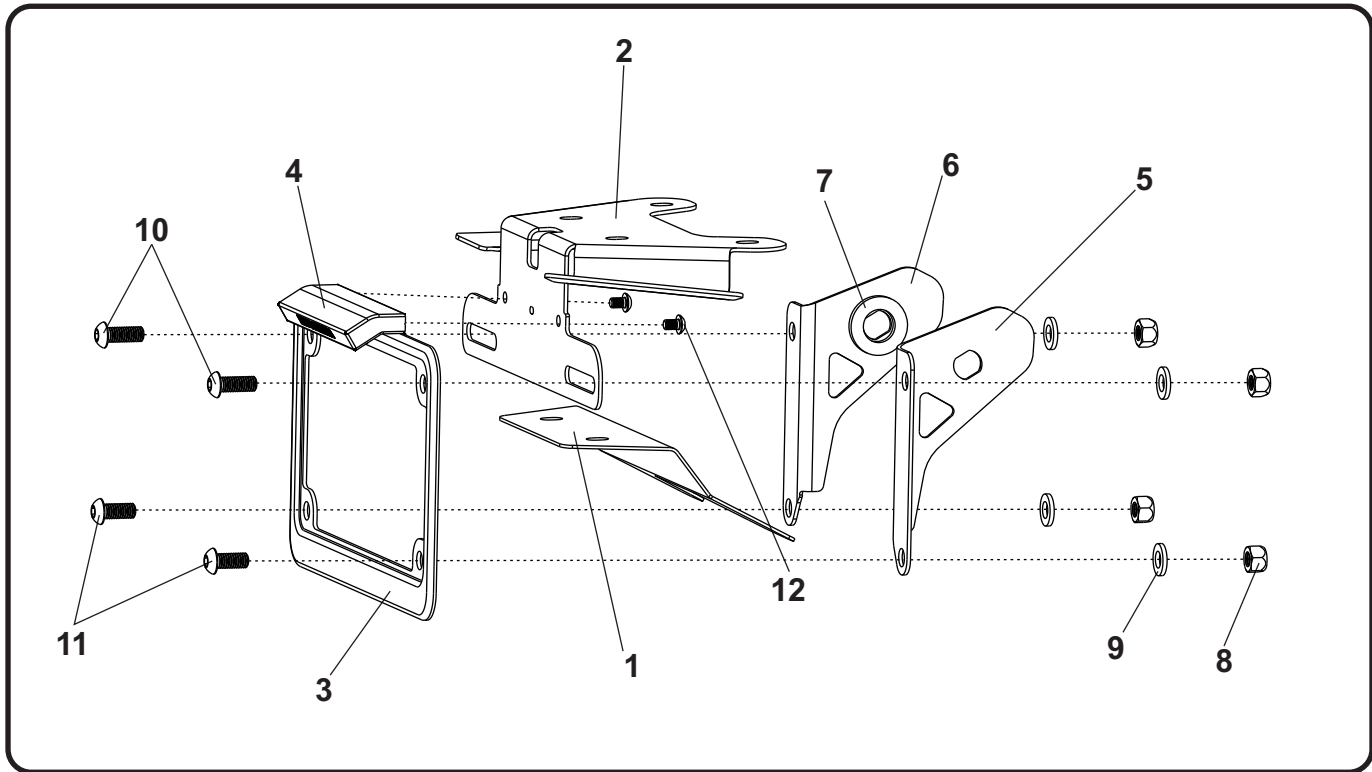
**070BG112600**  
**SUZUKI GSX250R**



**THIS PRODUCT IS NOT DOT APPROVED.**

Yoshimura R&D of America, Inc. is not liable or responsible for any resulting event caused by the installation of this product. Check with local laws and regulations for compliance prior to installation and use. This product is not intended for use on public highways.



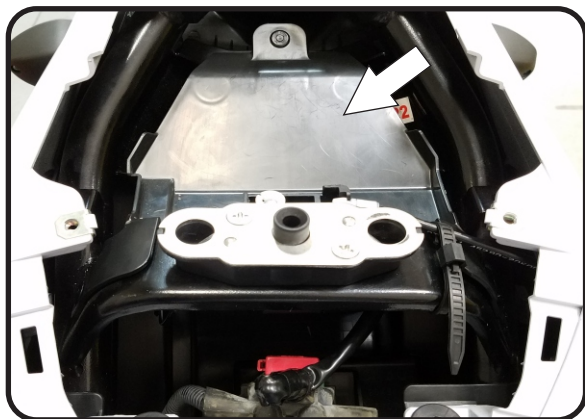


No.	Item	Description	Qty.
1	11260-FEBKT1	Fender Eliminator Bracket 1	1
2	11260-FEBKT2	Fender Eliminator Bracket 2	1
3	070BG-LPF	License Plate Frame	1
4	070BG-LH-K	LED License Plate Light	1
5	11260-TSB-R	Right Turn Signal Bracket	1
6	11260-TSB-L	Left Turn Signal Bracket	1
7	12X24WSH	12mm X 24mm Washer	2
8	6MMLN	6mm Nylon Lock Nut	4
9	6MMWASHER	6mm Washer	4
10	M6X16BHS	6mm x 16mm Button Head Screw	2
11	M6X14BHS	6mm x 14mm Button Head Screw	2
12	M4X6BHS	4mm x 6mm Button Head Screw	2
**	BN-SSS-22-18	Butt Connectors	2

\*\* Not shown in diagram

## Removal

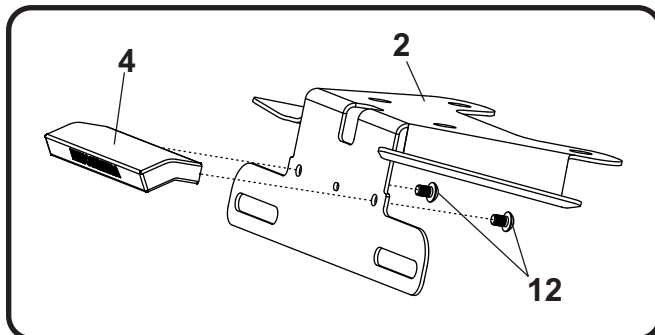
1. Remove both rider and passenger seat.
2. Remove the two plastic covers shown below to gain access to the license plate light and turn signal connectors.



2. Disconnect the license plate light and turn signal wires.
3. While securely supporting the stock fender assembly, remove the four bolts and carefully remove the stock fender assembly.
4. Disassemble the stock fender assembly and remove left and right turn signals.
5. Cut the stock license plate light wires 2" from the license plate light bulb connector.

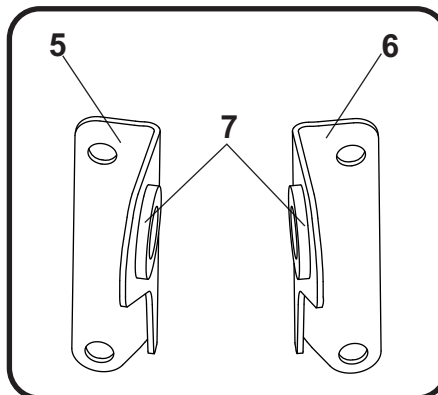
## Installation

1. Install (No. 4) 070BG-LH-K, Yoshimura license plate light onto (No. 2) 11260-FEBKT2, Yoshimura license plate bracket using (No. 12) M4X6BHS, 4mm button head screws.

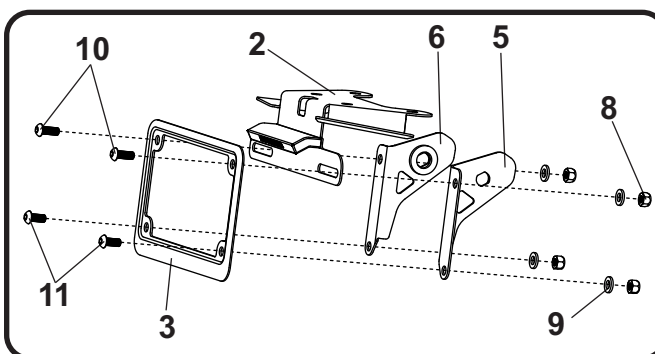


2. Install left and right turn signals onto (No. 5,6) 11260-TSB-L/R, turn signal brackets using (No. 7) 12X24WSH, washers.

Note: Washers go on the inside of the turn signal brackets as shown below.



3. Assemble and install (No.3) 070BG-LPF, license plate frame and (No. 5,6) 11260-TSB-L/R, turn signal brackets to (No. 2) 11260-FEBKT2, fender eliminator bracket using (No 10,11) 6mm button head screws, (No. 9) 6MMWASHER, 6mm washers, and (No. 8) 6MMLN, 6mm nylon lock nuts as shown below.



4. Connect the Yoshimura license plate light wires to the stock license plate light wires as follows:

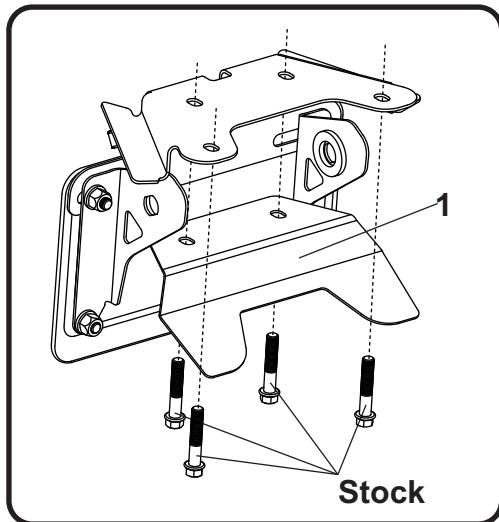
Red -to- Gray  
Black -to- Black/White

- a) Strip the stock license plate light wire ends 1/4" - 1/2" and insert into *BN-SSS-22-18*, butt connectors provided in the kit.
- b) Center the spliced wire ends in the middle and using a heatgun or lighter, apply heat evenly on the outer edges of the butt connector to shrink and hold wires in place.
- c) Making sure that the stripped ends are centered, heat the center of the butt connector evenly until the solder begins to liquify.
- d) Allow to cool completely and tug both ends of the wires to verify that connection is secured.

Scan for link to butt connector instruction video.



5. Route fender sub-harness through stock location then install assembled fender eliminator and (No. 1) *11260-FEBKT1*, to subframe using stock bolts as shown below.



6. Reconnect license plate and turn signal wires.
7. Reinstall plastic covers.
8. Reinstall both rider and passenger seats.

9. Check for proper function of license plate light, turn signals, brake light and that all brackets and components are secure prior to riding.