

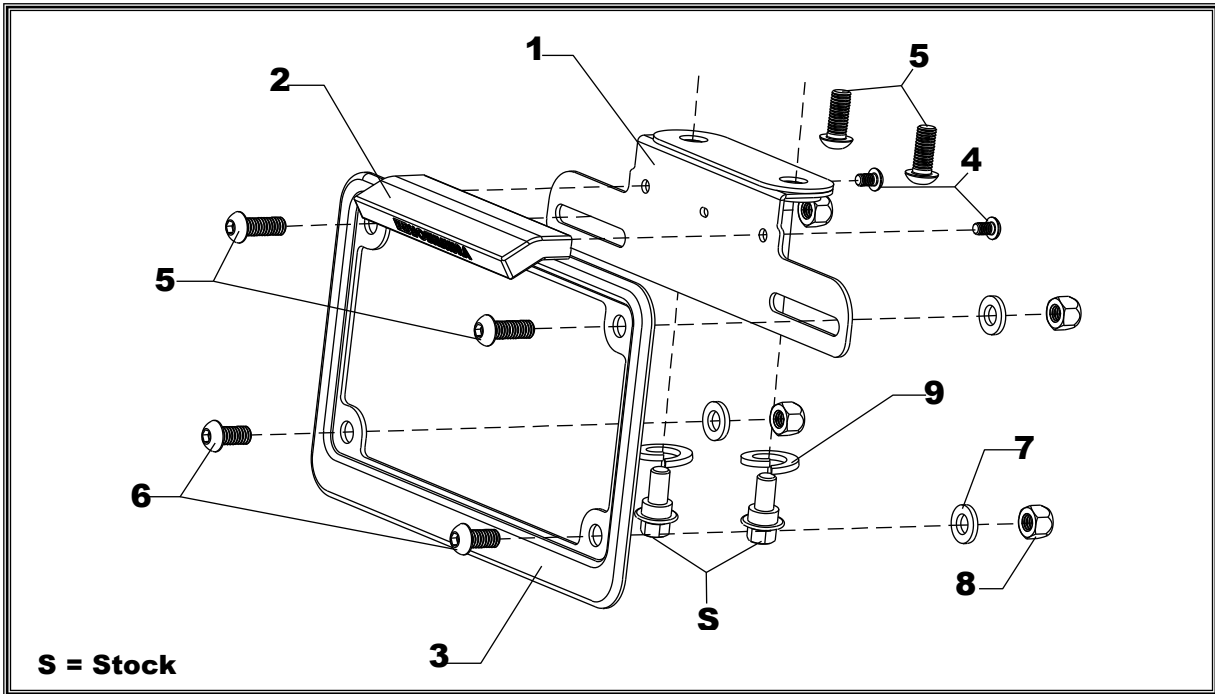


Fender Eliminator Kit

APPLICATION

MAKE	MODEL
Suzuki	GSXR 600 / 750
PRODUCT	
070BG116001	Fender Eliminator Kit

! This product is not DOT approved. Yoshimura R&D of America, Inc. is not liable or responsible for any resulting event caused by the installation of this product. Check with local laws and regulations for compliance prior to installation and use. This product is not intended for use on public highways.



No.	Part #	Description	Qty
1	11600-FEBKT	Yoshimura Fender Eliminator Bracket	1
2	070BG-LH-K	Yoshimura LED Fender Eliminator Light	1
3	070BG-LPF	Yoshimura Aluminum License Plate Frame	1
4	M4X6BHS	4mm x 6mm Button Head Screw	2
5	M6X16BHS	6mm x 16mm Button Head Screw	4
6	M6X14BHS	6mm x 14mm Button Head Screw	2
7	6MMWASHER	6mm Washer	4
8	6MMLN	6mm Nylon Lock Nut	4
9	10MMLOCKWASHER	10mm Lock Washer	2
**	94785-01-ND	Butt Connectors	2
**	17029	Yoshimura Sticker Sheet	1

-TOOLS REQUIRED-

Metric Socket Set • Combination Wrench Set • Metric Allen Wrench Set

-REMOVAL-

- 1. Remove right side cowling from the tail section and disconnect license plate light connector.***
- 2. Remove stock fender by removing the (4) bolts.***
- 3. Cut the stock license plate light connector from the stock fender. BE SURE TO CUT AT LEAST A 6" SECTION OF WIRE FROM THE CONNECTOR.***

-INSTALLATION-

- 1. Using the connectors provided in the kit, connect the Yoshimura Fender Eliminator wires to the stock license plate light connector as follows: Brown wire goes to orange wire; Black/white wire goes to black wire.***
- 2. Assemble and install Yoshimura Fender Eliminator kit as shown in the parts diagram.
Note: Stock shoulder bolts are used to mount the Yoshimura Fender Eliminator bracket. Use provided 6mm x 16mm bolt to cover the 2 stock fender mounting holes.***
- 3. Route wiring through hole in bracket, then through tail section to stock location. Connect license plate light connector to stock harness.***
- 4. Check for function of license plate light and that all brackets and pieces are secure prior to riding.***