



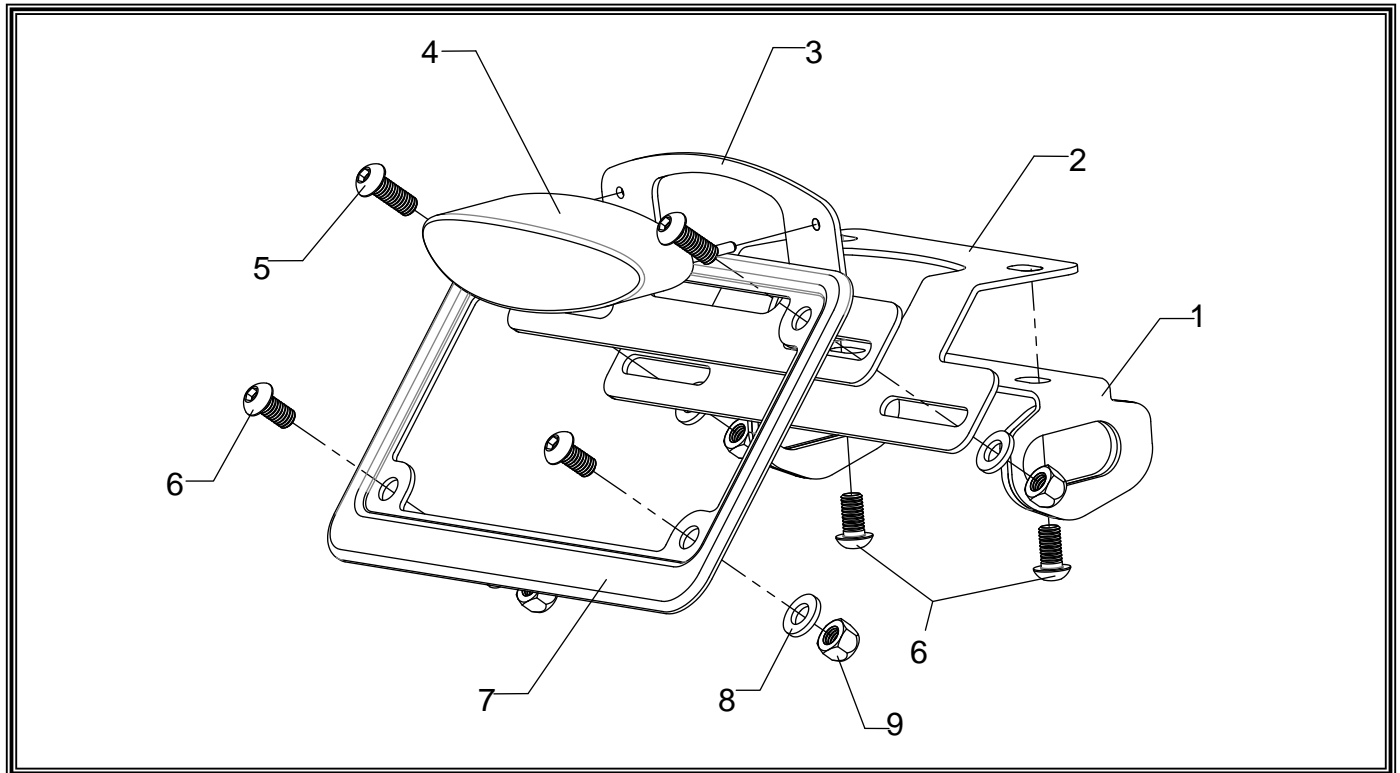
FENDER ELIMINATOR KIT

APPLICATION

MAKE	MODEL
Suzuki	DRZ400S/SM
PRODUCT	
070BG116600	Suzuki DRZ400S/SM Fender Eliminator Kit



This product is not DOT approved. Yoshimura R&D of America, Inc. is not liable or responsible for any resulting event caused by the installation of this product. Check with local laws and regulations for compliance prior to installation and use. This product is not intended for use on public highways.



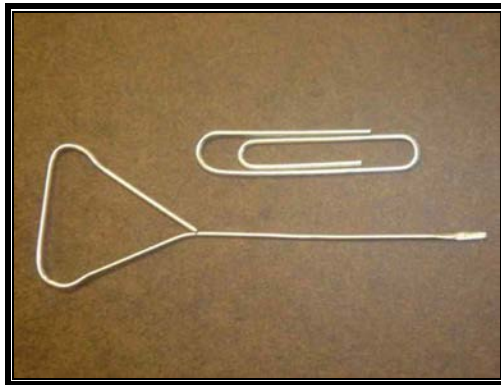
No.	Part #	Description	Qty
1	11660-FEBKT5	Turn Signal Bracket	1
2	11660-FEBKT2	Fender Eliminator Bracket	1
3	11660-FEBKT3	License Plate Bracket	1
4	602020-B	Light Assembly	1
5	M6X16BHS	6mm x 16mm Button Head Screw	2
6	M6X12BHS	6mm x 12mm Button Head Screw	4
7	070BG-LPF	License Plate Frame	1
8	6MMWASHER	6mm Washer	4
9	6MMLN	6mm Lock Nut	4
**	17029	Yoshimura Sticker Sheet	1

-TOOLS REQUIRED-

Metric Socket Set • Combination Wrench Set • Metric Allen Wrench Set

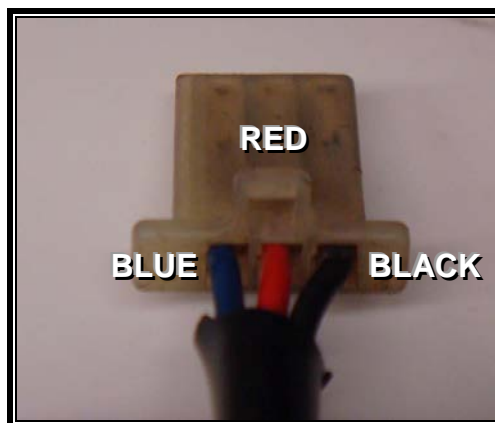
-INSTALLATION-

1. **Remove stock seat and disconnect turn signals and tail light connectors.**
2. **Remove the (4) bolts securing stock fender assembly.
(2 from below and 1 on left and right side fender tabs)**
3. **If reusing stock turn signals, remove turn signals from stock fender assembly.**
4. **Install stock turn signals onto Yoshimura turn signal bracket.**
5. **It is required to separate the stock 3-pin tail light connector from the stock tail light wires. Using a pin or a small flathead screwdriver, remove the tail light wires from the connector. A tool can also be made by using a paper clip and hammering the tip to make a small flat head. See image below.**



6. **Install stock 3-pin connector to Yoshimura fender eliminator tail light wires as shown in the image below. The tab on the connector shown is on top.**

CAUTION: IT IS VERY IMPORTANT TO INSTALL WIRES IN CONNECTOR CORRECTLY. FAILURE TO DO SO MAY LEAD TO SHORTING OUT THE VEHICLE AND/OR DAMAGING THE LED TAIL LIGHT ASSEMBLY.



7. **Assemble and install Yoshimura fender eliminator kit according to the parts diagram.**
8. **Route wires and reconnect turn signal and tail light connectors.**
9. **Re-install seat.**
10. **Check for function of license plate light and turn signals and that all brackets and components are secure prior to riding.**