



YOSHIMURA

RESEARCH&DEVELOPMENT OF AMERICA, INC.

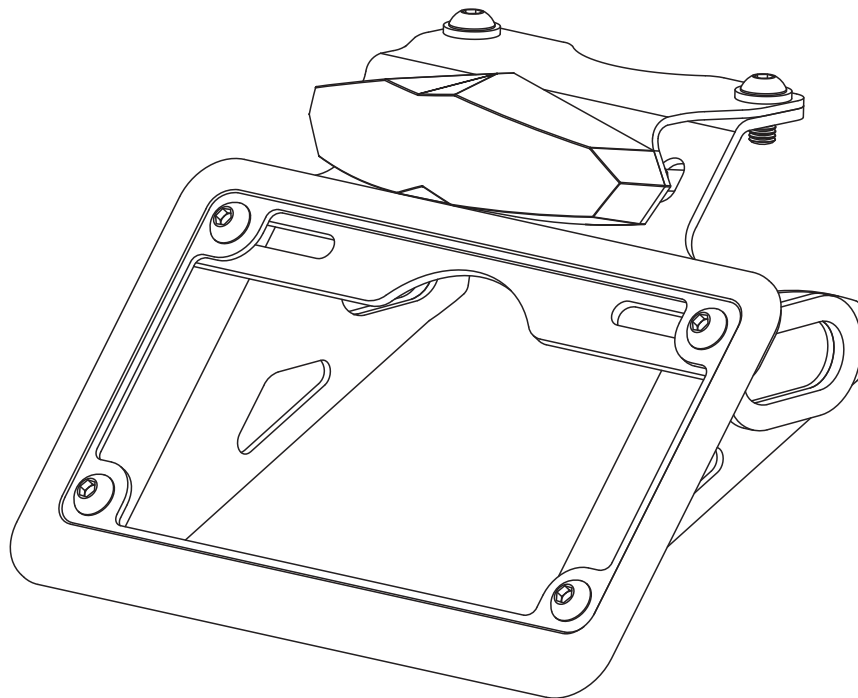
5420 DANIELS STREET STE A, CHINO CA., 91710 · (800) 634-9166 · (909) 628-4722 · FAX (909) 591-2198

www.yoshimura-rd.com

FENDER ELIMINATOR KIT

070BG116601

SUZUKI DR-Z400S/SM

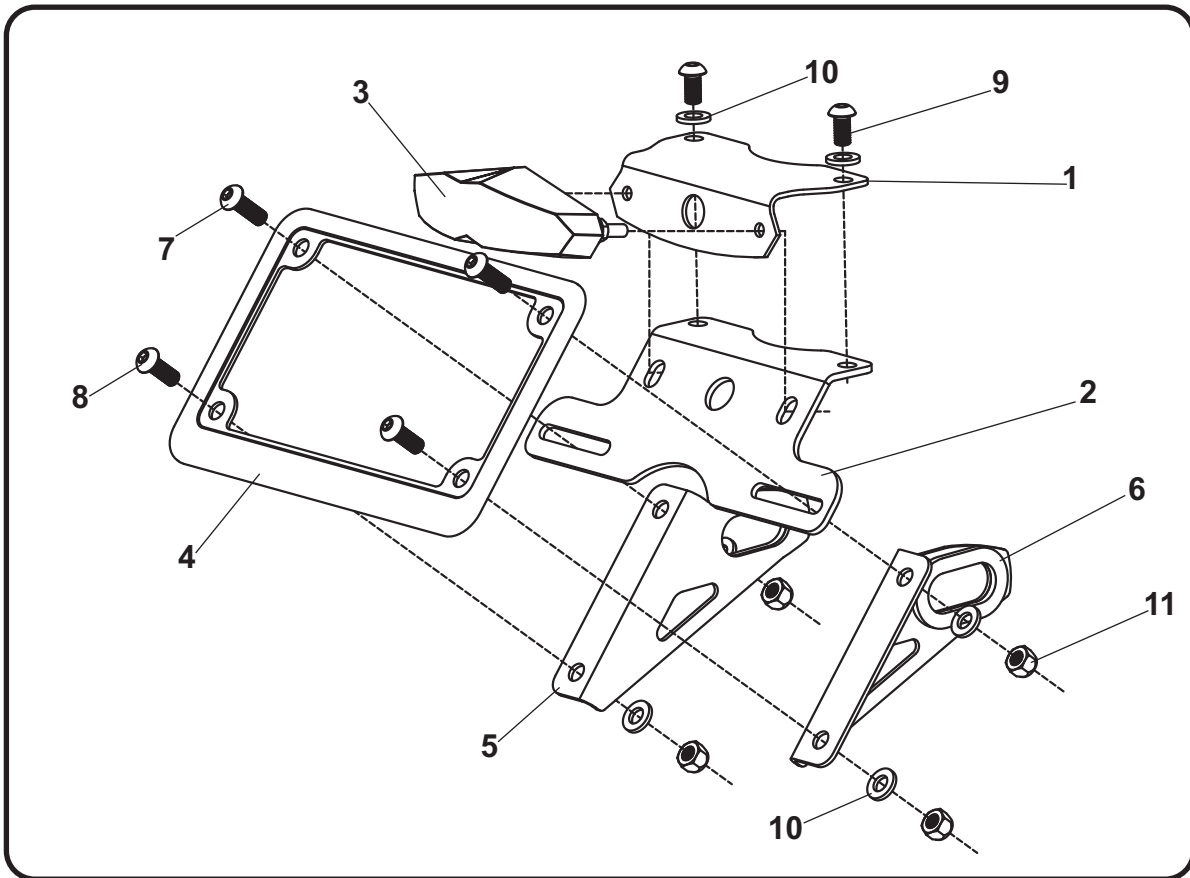


THIS PRODUCT IS NOT DOT APPROVED.

Yoshimura R&D of America, Inc. is not liable or responsible for any resulting event caused by the installation of this product. Check with local laws and regulations for compliance prior to installation and use. This product is not intended for use on public highways.



Assembly Diagram



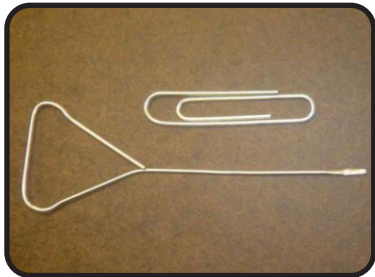
No.	Item	Description	Qty
1	11660-FEBKT-A	Fender Eliminator Light Bracket	1
2	11660-FEBKT-B	License Plate Bracket	1
3	HB025024-B	Fender Eliminator Light	1
4	070BG-LPF	License Plate Frame	1
5	11660-TSB-L	Left Turn Signal Bracket	1
6	11660-TSB-R	Right Turn Signal Bracket	1
7	M6X18BHS	6mm x 18mm Button Head Screw	2
8	M6X16BHS	6mm x 16mm Button Head Screw	2
9	M6X12BHS	6mm x 12mm Button Head Screw	2
10	6MMWASHER	6mm Washer	6
11	6MMLN	6mm Nylon Lock Nut	4
**	17029	Yoshimura Sticker Sheet	1
Optional Parts			
<i>070BGUNVTBKT</i>		<i>Universal Turn Signal Bracket Kit</i>	
<i>072BGLTSFK</i>		<i>Yoshimura LED Front Turn Signal Kit</i>	
<i>072BGLTSR</i>		<i>Yoshimura LED Rear Turn Signal Kit w/ Relay</i>	

** Not shown on diagram.

*** The Yoshimura Universal Turn Signal Bracket Kit is to be used with aftermarket stud-mounted turn signals and is sold separately.

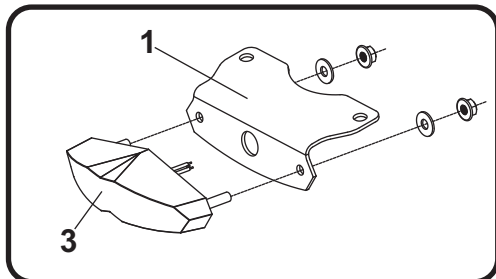
Removal

1. Remove rider seat.
2. Locate and disconnect tail light and turn signal connectors.
3. Remove the tool bag secured to the fender.
4. While securely supporting the stock fender assembly, remove the four bolts securing the stock fender to subframe. Carefully remove the stock fender making sure not to damage connectors.
5. Disassemble and remove left and right turn signals from the stock fender assembly.
6. It is required to separate the stock 3-pin tail light connector from the stock tail light wires. Using a pin or a small flathead screwdriver, remove the tail light wires from the connector. A tool can also be made by using a paper clip and hammering the tip to make a small flat head. See below.

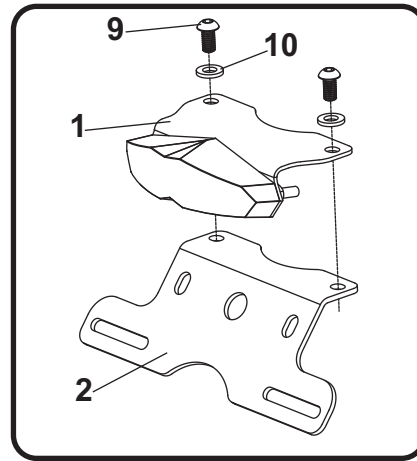


Installation

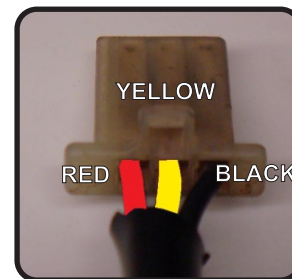
1. Install (No. 3) *HB025024-B*, fender eliminator light onto (No. 1) *11660-FEBKT-A*, fender eliminator light bracket.



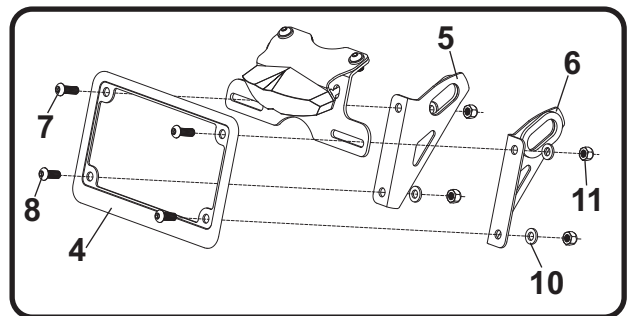
2. Install (No. 1) *11660-FEBKT-A*, fender eliminator light bracket and (No. 2) *11660-FEBKT-B*, license plate bracket to subframe using (No. 9) *M6X12BHS*, 6mm screw and (No. 10) *6MMWASHER*, 6mm washer as shown.



3. Route tail light wires through hole in (No. 2) *11660-FEBKT-B*, license plate bracket. Install the stock 3-pin connector to Yoshimura fender eliminator tail light wires as shown below. The tab on the connector shown is on top.



4. Install (No. 5,6) *11660-TSB-L/R*, left and right turn signal brackets and (No. 4) *070BG-LPF*, license plate frame to (No. 2) *11660-FEBKT-B*, fender eliminator bracket using the (No. 7,8) *M6X18BHS* and *M6X16BHS*, 6mm button head screws and (No. 10,11) *6MMWASHER*, 6MMLN, washer and nut as shown.



5. Route license plate light and turn signal wires to stock location along the subframe and through the rear fender and re-connect connectors.
6. Re-install tool bag to fender and secure to subframe using the stock bolts and nuts.
7. Re-install rider seat.
8. Check for proper function of license plate light and turn signals and that all brackets and components are secure prior to riding.