



YOSHIMURA

RESEARCH&DEVELOPMENT OF AMERICA, INC.

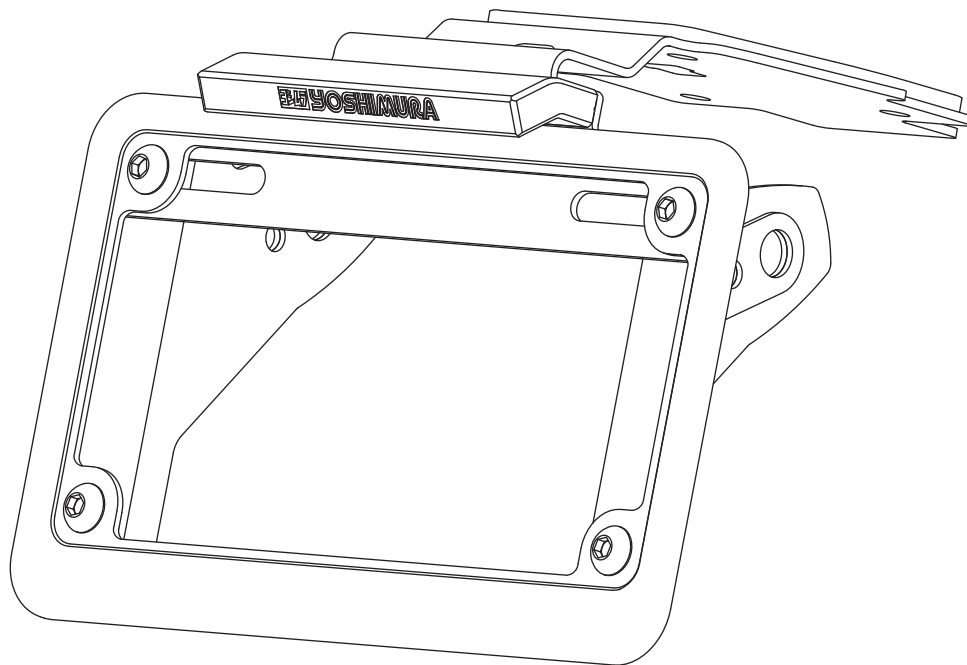
5420 DANIELS STREET STE A, CHINO CA., 91710 · (800) 634-9166 · (909) 628-4722 · FAX (909) 591-2198

www.yoshimura-rd.com

FENDER ELIMINATOR KIT

070BG118010

Suzuki GSX-S750

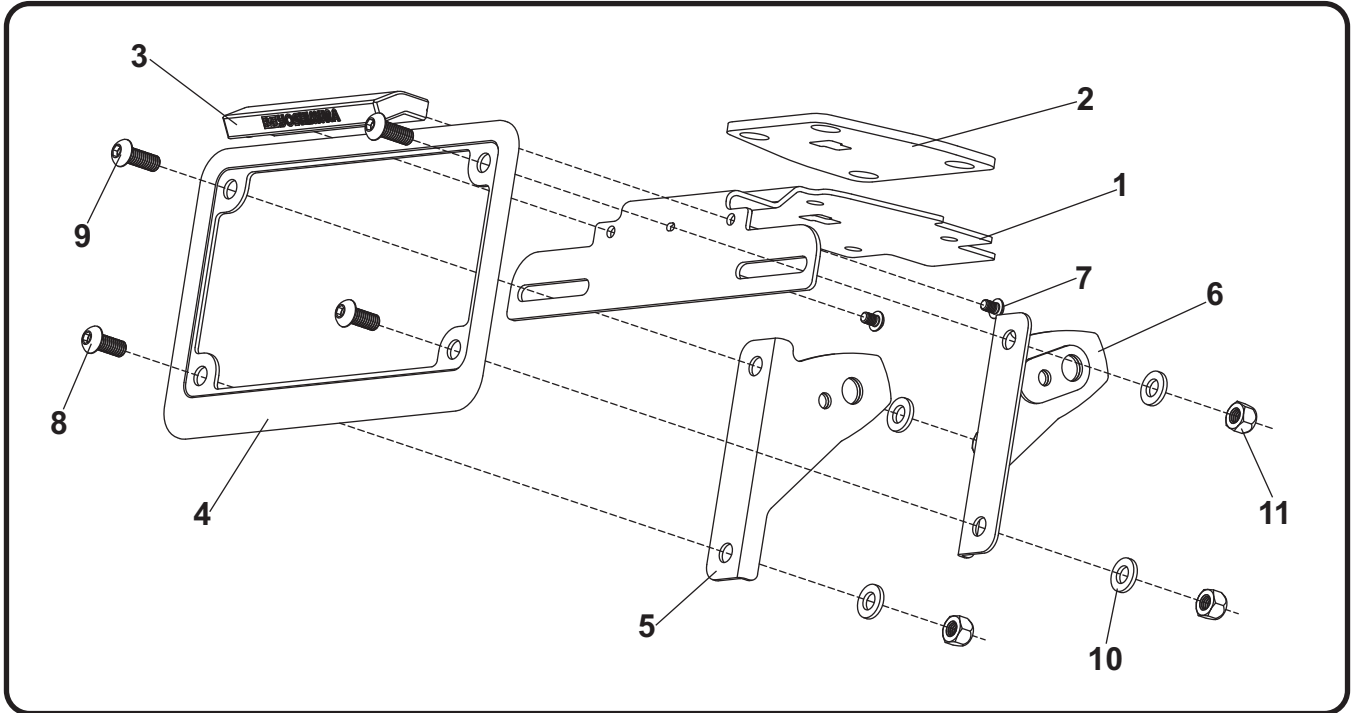


THIS PRODUCT IS NOT DOT APPROVED.

Yoshimura R&D of America, Inc. is not liable or responsible for any resulting event caused by the installation of this product. Check with local laws and regulations for compliance prior to installation and use. This product is not intended for use on public highways.



Assembly Diagram



No.	Item	Description	Qty.
1	11801-FEBKT-A	Fender Eliminator Bracket	1
2	11801-FEBKT-B	Fender Eliminator Bracket Spacer	1
3	070BG-LH-K	LED License Plate Light	1
4	070BG-LPF	License Plate Frame	1
5	11100-TSB-L	Left Turn Signal Bracket	1
6	11100-TSB-R	Right Turn Signal Bracket	1
7	M4X6BHS	4mm X 6mm Button Head Screw	2
8	M6X14BHS	6mm X 14mm Button Head Screw	2
9	M6X16BHS	6mm X 16mm Button Head Screw	2
10	6MMWASHER	6mm Washer	4
11	6MMLN	6mm Nylon Lock Nut	4
**	94785-01-ND	Butt Connectors	2
**	17029	Yoshimura Sticker Kit	1
Optional Parts			
***	070BGUNVTBKT	Universal Turn Signal Bracket Kit	

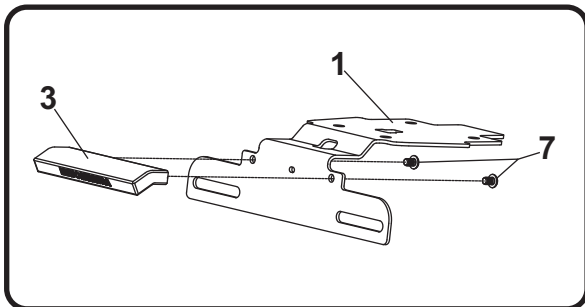
*** The Yoshimura Universal Turn Signal Bracket Kit is to be used with aftermarket stud-mounted turn signals and is sold separately.

Removal

1. Remove passenger seat.
2. Remove left and right rear seat covers.
3. Remove rear upper cowl to access license plate light and turn signal connectors.
4. Locate and disconnect license plate light and turn signal connectors.
5. While securely supporting the stock fender assembly, remove the four bolts securing the fender assembly to the frame. Carefully remove the stock fender assembly making sure not to damage the connectors in the process.
6. Disassemble the stock fender assembly and remove the left and right turn signals.
7. Cut the stock license plate light connector from the stock fender assembly. Be sure to cut at least a 6" section of wire from the connector.

Installation

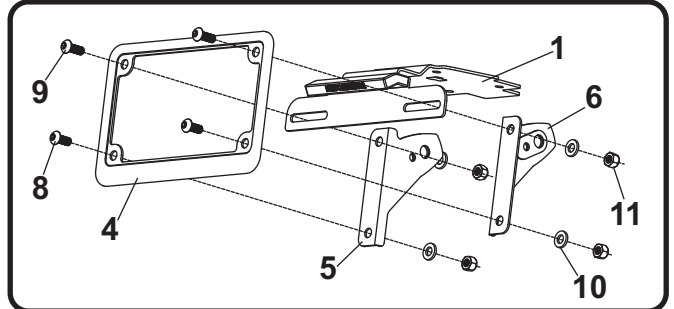
1. Install (No. 3) *070BG-LH-K*, Yoshimura license plate light onto (No. 1) *11801-FEBKT-A*, Yoshimura fender eliminator bracket using (No. 7) *M4X6BHS*, 4mm button head screws.



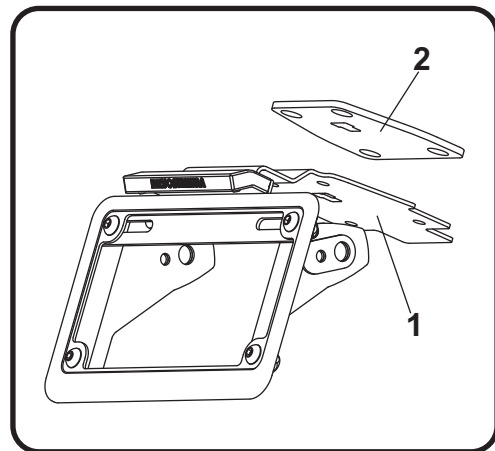
2. Using the *94785-01-ND* butt connectors supplied in the kit, connect the Yoshimura license plate light wires to the stock license plate light wires as follows:

Red -to- Brown
Black -to- Black/White
3. Using the stock hardware, install left and right turn signals onto (No. 5,6) *11100-TSB-L/R*, left and right turn signal brackets.

4. Assemble and install (No. 4) *070BP-LPF*, license plate frame and (No. 5,6) *11100-TSB-L/R*, turn signal brackets to (No. 1) *11801-FEBKT-A*, fender eliminator bracket using (No. 8,9) *M6X14BHS* & *M6X16BHS*, 6mm screws, (No. 10) *6MMWASHER*, 6mm washer and (No. 11) *6MMLN*, 6mm nylon lock nut as shown.



5. Route license plate light and turn signal wires through the hole in (No. 1) *11801-FEBKT-A*, fender eliminator bracket and (No. 2) *11801-FEBKT-B*, fender eliminator bracket spacer and through undertail. Install the stock fender bolts from the bottom and secure (No. 1,2) *11801-FEBKT-A* & *11801-FEBKT-B*, assembled fender eliminator to frame. Torque bolts to factory specification.



6. Route wires in stock location and re-connect license plate light and turn signal connectors.
7. Re-install rear upper cowl and the left and right rear seat covers.
8. Re-install passenger seat.
9. Check for proper function of license plate light, turn signals, brake light, and that all brackets and components are secure prior to riding.