



YOSHIMURA

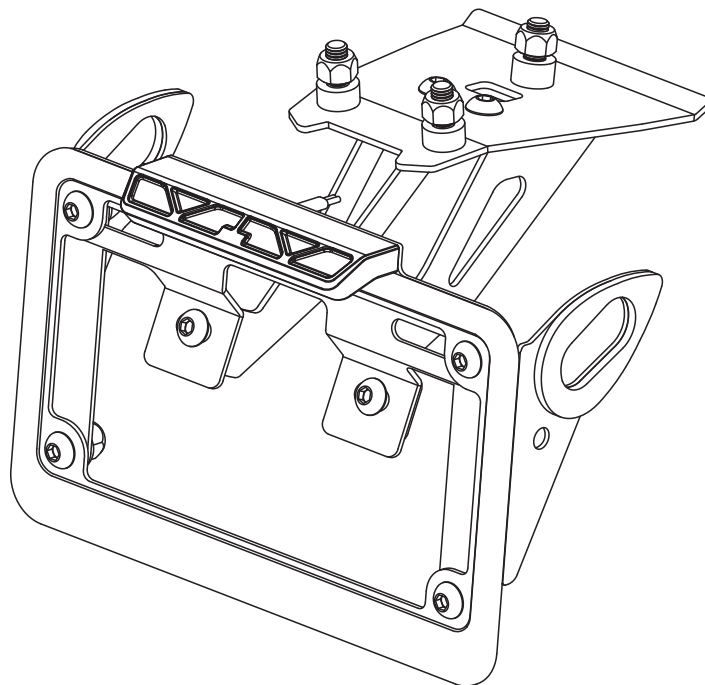
RESEARCH&DEVELOPMENT OF AMERICA, INC.

5420 DANIELS STREET STE A, CHINO CA., 91710 · (800)634-9166 · (909)628-4722 · FACSIMILE (909)591-2198

www.yoshimura-rd.com

FENDER ELIMINATOR KIT

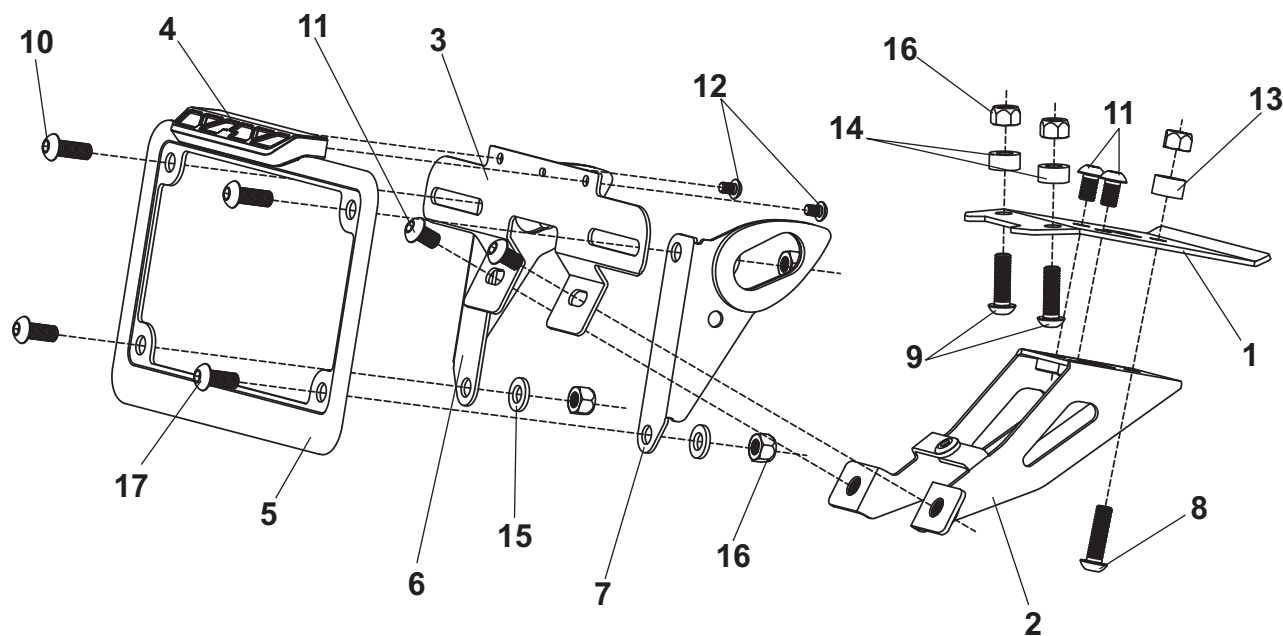
070BG126501
Honda CBR650F



THIS PRODUCT IS NOT DOT APPROVED.

Yoshimura R&D of America, Inc. is not liable or responsible for any resulting event caused by the installation of this product. Check with local laws and regulations for compliance prior to installation and use. This product is not intended for use on public highways.





No.	Item	Description	Qty.
1	12650-FEBKT1	Fender Eliminator Bracket 1	1
2	12650-FEBKT2	Fender Eliminator Bracket 2	1
3	12200-FEBKT	License Plate bracket	1
4	070BG-LH-K1	LED License Plate Light	1
5	070BG-LPF	License Plate Frame	1
6	12650-TSB-L	Left Turn Signal Bracket	1
7	12650-TSB-R	Right Turn Signal Bracket	1
8	M6X22BHS	6mm x 22mm Button Head Screw	1
9	M6X20BHS	6mm x 20mm Button Head Screw	2
10	M6X16BHS	6mm x 16mm Button Head Screw	2
11	M6X10BHS	6mm x 10mm Button Head Screw	4
12	M4X6BHS	4mm x 6mm Button Head Screw	2
13	6X12X7SPCR	Aluminum Spacer	1
14	6X12X6SPCR	Aluminum Spacer	2
15	6MMWASHER	6mm Washer	4
16	6MMLN	6mm Nylon Lock Nut	7
17	M6X14BHS	6mm x 14mm Button Head Screw	2
**	BN-SSS-22-18	Butt Connectors	2
**	ZT-300	Cable Ties	3
**	17029	Yoshimura Sticker Sheet	1
Optional Parts			
***	070BGUNVTBKT	Universal Turn Signal Bracket Kit	

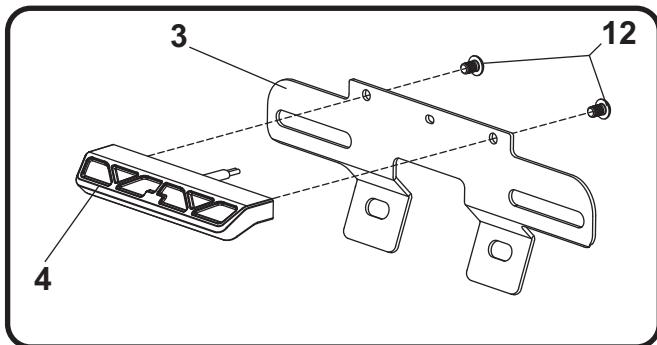
*** The Yoshimura Universal Turn Signal Bracket Kit is to be used with aftermarket stud-mounted turn signals and is sold separately.

Removal

1. Remove passenger seat.
2. Disconnect the license plate light and turn signal wires.
3. While securely supporting the stock fender assembly, remove the three bolts and carefully remove the stock fender assembly.
4. Disassemble the stock fender assembly and remove left and right turn signals.
5. Cut the stock license plate light connector from the stock fender assembly. Be sure to cut at least a 6" section of wire from the connector.

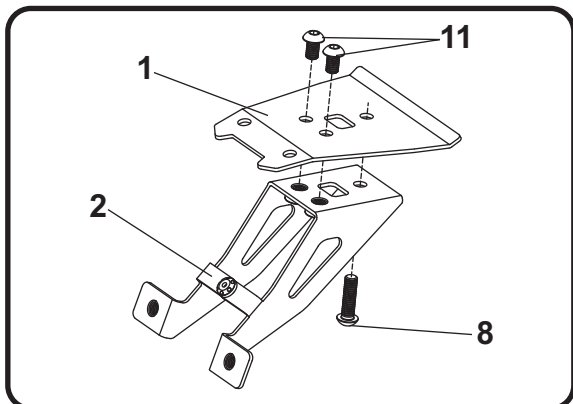
Installation

1. Install (No. 4) *070BG-LH-K1*, Yoshimura license plate light onto (No. 3) *12200-FEBKT*, Yoshimura license plate bracket using (No. 12) *M4X6BHS*, 4mm button head screws provided in the kit.

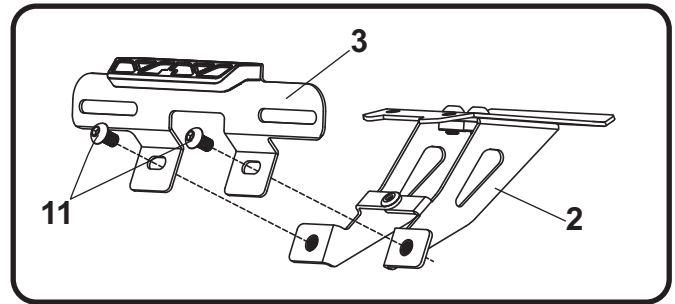


2. Assemble (No. 1) *12650-FEBKT1*, fender eliminator bracket 1 to (No. 2) *12650-FEBKT2*, fender eliminator bracket 2 as shown below.

Note: Use (No. 8) *M6X22BHS*, 6mm screw to align all holes when installing (No. 11) *M6X10BHS*, 6mm screws.



3. Install (No. 3) *12200-FEBKT*, Yoshimura license plate bracket onto (No. 2) *12650-FEBKT2*, fender eliminator bracket using (No. 11) *M6X10BHS*, 6mm screws as shown below.



4. Using the *BN-SSS-22-18*, butt connectors provided in the kit, connect Yoshimura license plate light wires to the stock license plate light wires as follows:

Red -to- Brown
Black -to- Green

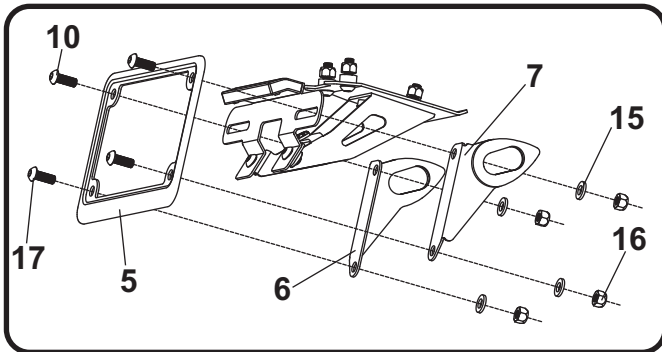
- a) Strip the stock fender light wire ends 1/4" - 1/2" and insert into *BN-SSS-22-18*, butt connectors provided in the kit.
- b) Center the spliced wire ends in the middle and using a heatgun or lighter, apply heat evenly on the outer edges of the butt connector to shrink and hold wires in place.
- c) Making sure that the stripped ends are centered, heat the center of the butt connector evenly until the solder begins to liquify.
- d) Allow to cool completely and tug both ends of the wires to verify that connection is secured.

Scan for link to butt connector instruction video.



5. Install the stock left and right turn signals onto (No. 6,7) *12650-TSB-L/R*, turn signal brackets.

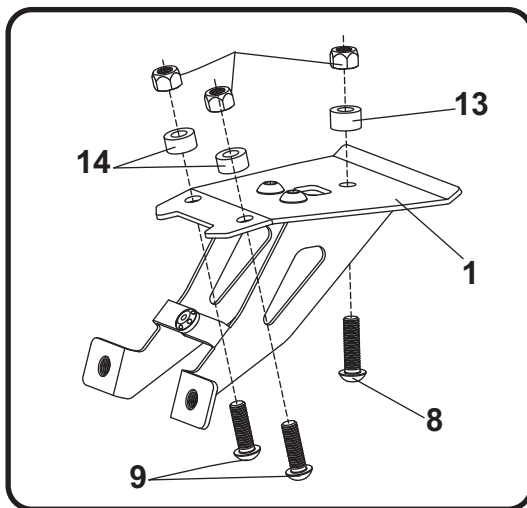
- Install (No. 6,7) 12650-TSB-L/R, left and right turn signal brackets and (No. 5) 070BG-LPF, license plate frame using (No. 10, 17) M6X16BHS & M6X14BHS, 6mm screws, (No. 15) 6MMWASHER, washers, and (No. 16) 6MMLN, nuts as shown below.



- Route license plate light and turn signal wires through hole in (No. 1,2) 12650-FEBKT1/2, fender eliminator bracket and then under the passenger seat and reconnect.
- Install (No. 1) 12650-FEBKT1, fender eliminator bracket onto subframe using (No. 8,9) M6X22BHS and M6X20BHS, 6mm button head screws as shown.

Note¹: (No. 13,14) 6X12X7SPCR and 6X12X6SPCR, aluminum spacer mounts between (No. 1) 12650-FEBKT1, fender eliminator bracket and the subframe.

Note²: (No. 13) 6X12X7SPCR, aluminum spacer is 1mm larger than (No. 14) 6X12X6SPCR.



- Re-install passenger seat.
- Check for proper function of license plate light, turn signals, brake light, and that all brackets and components are secure prior to riding.