



YOSHIMURA

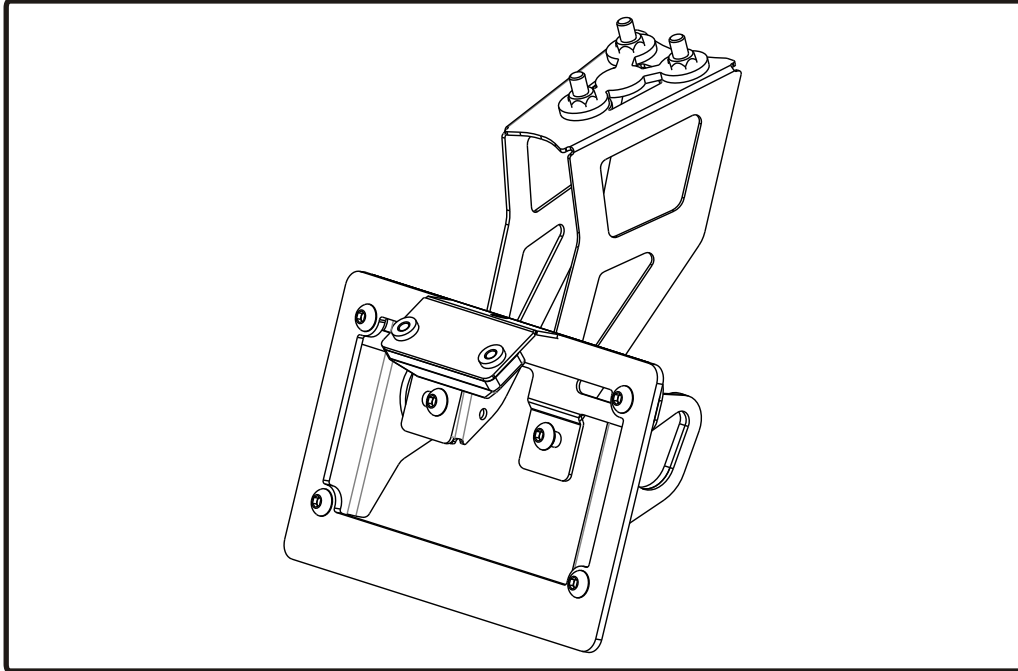
RESEARCH & DEVELOPMENT OF AMERICA, INC.

5420 DANIELS STREET STE A, CHINO CALIF. 91710 · (800)634-9166 · (909)628-4722 · FACSIMILE (909)591-2198

www.yoshimura-rd.com

070BG131401

09-12 Yamaha YZF-R1 Fender Eliminator Kit

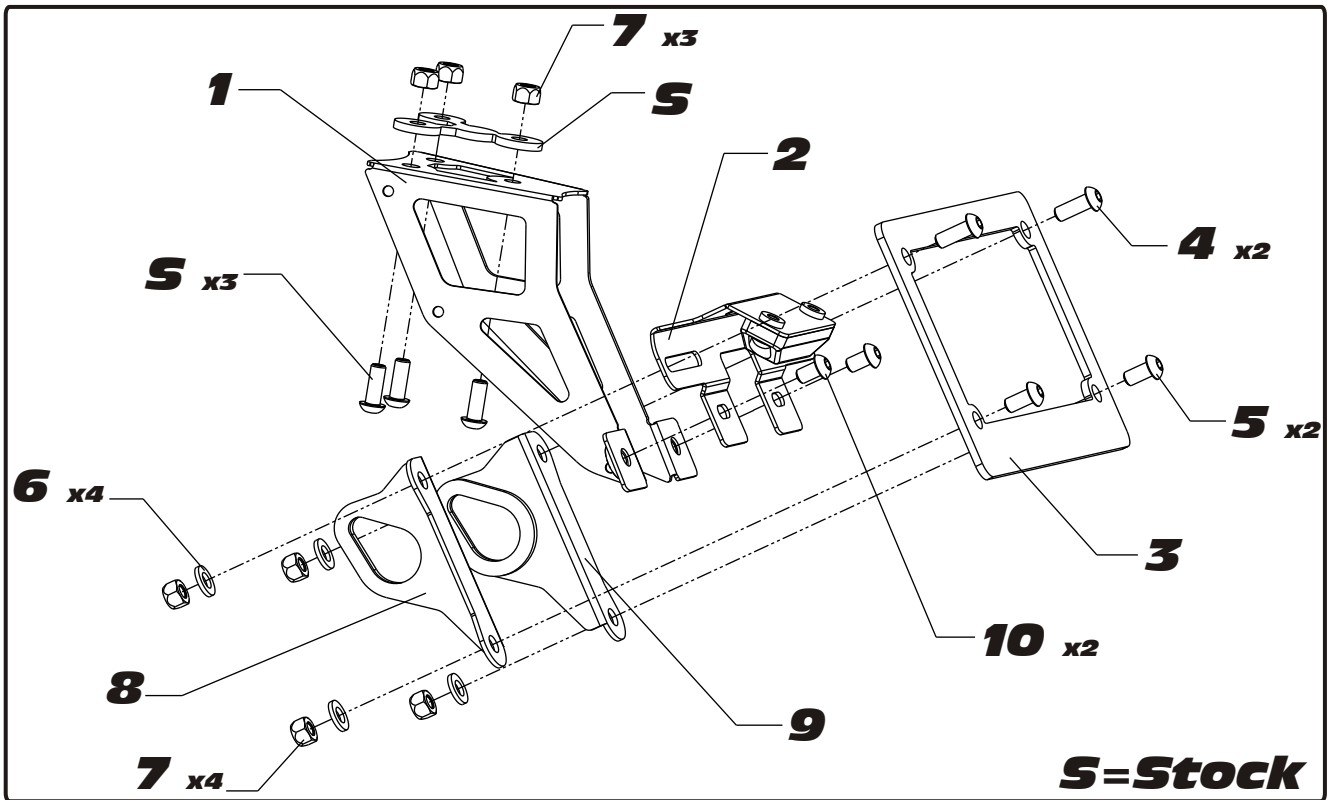


NOTE:

This product is not DOT approved. Yoshimura R&D of America, Inc. is not liable or responsible for any resulting event caused by the installation of this product. Check with local laws and regulations for compliance prior to installation and use. This product is not intended for use on public highways.

Installation Instructions:

1. Remove tail cowl or passenger seat. Disconnect license plate light connector.
2. Remove stock fender by removing 3 bolts.
3. Remove stock turn signals from stock fender assembly.
4. Cut the stock license plate light connector from stock fender. BE SURE TO CUT AT LEAST A 6" SECTION OF WIRE FROM THE CONNECTOR. Using the connectors in the kit, connect the Yoshimura Fender Eliminator wires to the stock license plate light connector as follows: For 09-10: Red wire goes to white wire; Black wire goes to black w/ white stripe. For 2011-2012: Red wire goes to blue w/ red stripe wire; Black wire goes to black wire.
5. Install Yoshimura Fender Eliminator kit as shown in parts diagram on page 2. Note the order of components mounted to subframe; the stock washer plate fits between the supplied nylon lock nuts and the subframe.
6. Install stock turn signals onto Yoshimura turn signal brackets using the reverse steps of removal.
7. Route wiring through hole in bracket, then through tail section to stock location. Connect license plate light connector to stock harness. Use cable ties to secure license plate light wire to fender eliminator bracket.
8. Check for function of license plate light and turn signals and that all brackets and pieces are secure prior to riding.



NO.	DESCRIPTION	QTY	PART #
1	Fender Eliminator Bracket	1	1314-FEB
2	License Plate Bracket	1	070BG-LPB3
3	License Plate Frame	1	070BG-LPF
4	6mm x 16mm Button Head Screw	2	M6X16BHS
5	6mm x 10mm Button Head Screw	2	M6X10BHS
6	6mm Flat Washer	4	6MMWASHER
7	6mm Nylon Lock Nut	7	6MMLN
8	Left Turn Signal Bracket	1	13140-TSBL-00
9	Right Turn Signal Bracket	1	13140-TSBR-00
10	6mm x 12mm Button Head Screw	2	M6X12BHS
***	Butt Connectors	2	94785-01-ND
***	Small Cable Tie	3	ZT-400
***	Yoshimura Sticker Sheet	1	17029
***	Instructions Manual	1	INST KIT