



# Fender Eliminator Kit

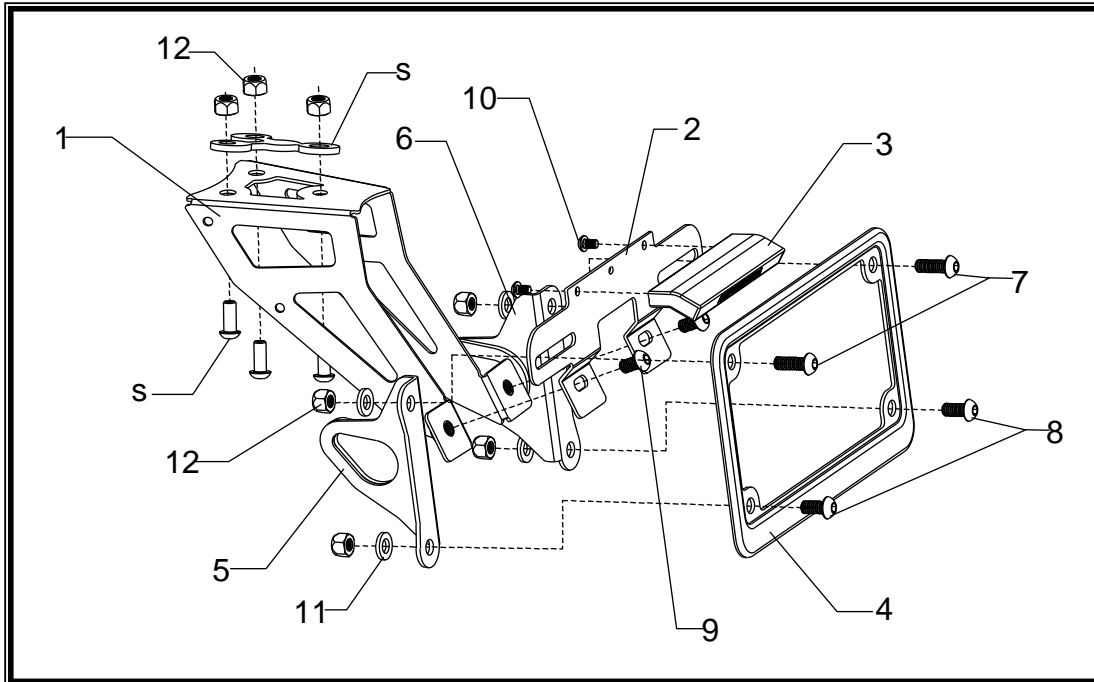
**APPLICATION**

<b>MAKE</b>	<b>MODEL</b>
Yamaha	R1

**PRODUCT**

070BG131403	Fender Eliminator Kit
-------------	-----------------------

**!** This product is not DOT approved. Yoshimura R&D of America, Inc. is not liable or responsible for any resulting event caused by the installation of this product. Check with local laws and regulations for compliance prior to installation and use. This product is not intended for use on public highways.



No.	Part #	Description	Qty
1	13140-FEBKT-1	Yoshimura Fender Eliminator Bracket	1
2	12200-FEBKT	Yoshimura License Plate Bracket	1
3	070BG-LH-K	Yoshimura LED Fender Eliminator Light	1
4	070BG-LPF	Yoshimura License Plate Frame	1
5	13140-TSBL-01	Left Turn Signal Bracket	1
6	13140-TSBR-01	Right Turn Signal Bracket	1
7	M6X16BHS	6mm x 16mm Button Head Cap Screw	2
8	M6X14BHS	6mm x 14mm Button Head Cap Screw	2
9	M6X10BHS	6mm x 10mm Button Head Cap Screw	2
10	M4X6BHS	4mm x 6mm Button Head Cap Screw	2
11	6MMWASHER	6mm Washer	4
12	6MMLN	6mm Nylon Lock Nut	7
**	94785-01-ND	Butt Connectors	2
**	17029	Yoshimura Sticker Sheet	1
**	ZT-400	Cable Ties	3
<b>Optional Parts (not incl.)</b>			
***	070BGUNVBTBT	Universal Turn Signal Bracket Kit	

## **-TOOLS REQUIRED-**

***Metric Socket Set • Combination Wrench Set • Metric Allen Wrench Set • Screwdriver***

## **-REMOVAL-**

1. ***Remove passenger seat and disconnect turn signal and license plate light plug.***
2. ***While supporting the stock fender assembly, remove the stock fender by removing the (3) bolts securing the stock fender assembly to subframe.***
3. ***Remove turn signals from stock fender assembly as they will be used with the Yoshimura Fender Eliminator Kit.***

## **-INSTALLATION-**

1. ***Install Yoshimura Fender Eliminator bracket onto subframe using the hardware supplied in the kit in conjunction with the stock hardware. Note the order of components mounted to the subframe; the stock washer plate fits between the supplied nylon lock nuts and the subframe. See diagram for proper orientation.***
2. ***Install Yoshimura LED fender eliminator light onto Yoshimura license plate bracket according to the diagram using the (2) provided 4mm screws.***
3. ***Install the Yoshimura license plate bracket to fender eliminator bracket. See diagram for proper orientation and order of hardware.***
4. ***Install turn signals onto Yoshimura turn signal brackets and route the wires through the opening on the Yoshimura license plate bracket and re-connect wires accordingly by color.***
5. ***Cut the stock license plate light connector from the stock fender. Be sure to cut at least a 6" section of wire from the connector. Using the connectors in the kit, connect the Yoshimura Fender Eliminator wires to the stock license plate light connector as follows: '09-'10 model: Red wire goes to the white wire; Black wire goes to the black wire w/ white stripe. '11-'14: Red wire goes to the blue w/ red stripe wire; Black wire goes to the black wire.***
6. ***Route fender eliminator light wire through hole in bracket, then through tail section to the stock location. Connect license plate light connector to stock harness. Use provided cable ties to secure license plate light wire to fender eliminator bracket.***
7. ***Re-install passenger seat.***
8. ***Check for function of license plate light and turn signals and that all brackets and components are secure prior to riding.***