

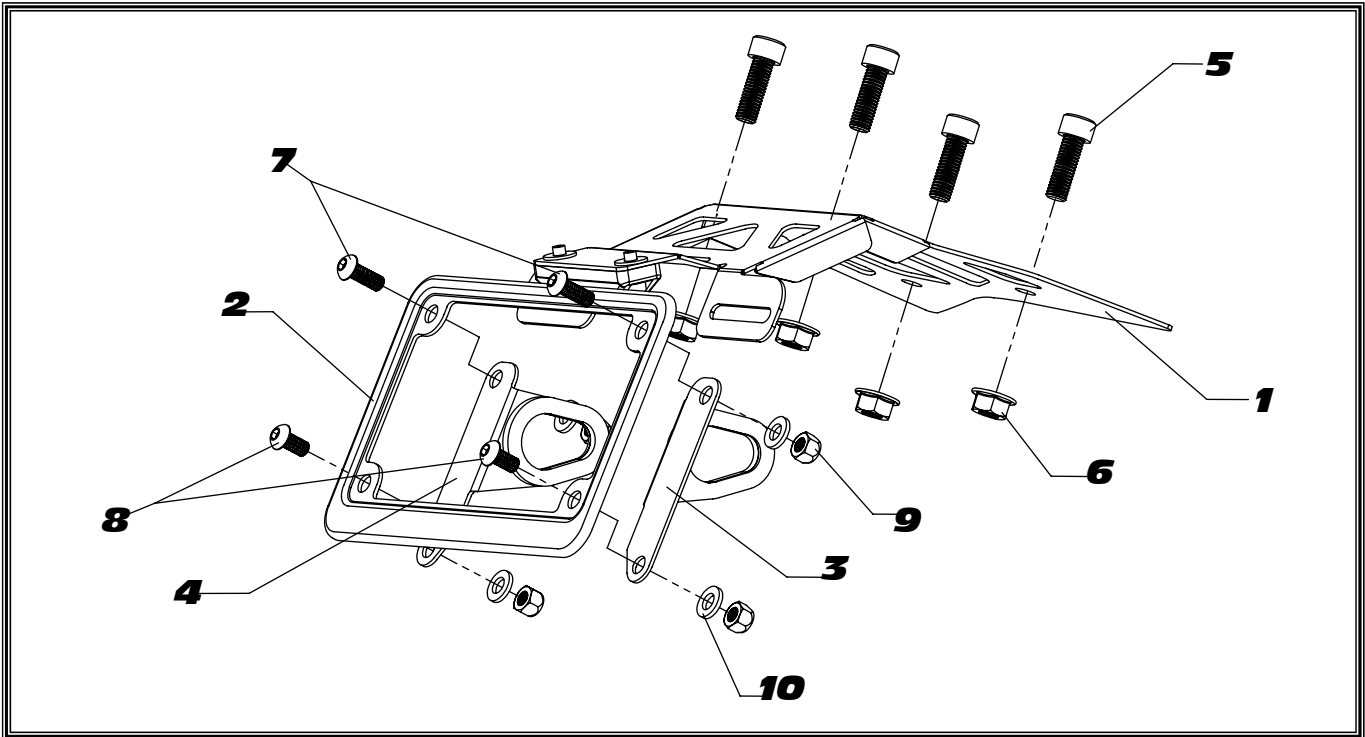


Fender Eliminator Kit

APPLICATION

| | |
|----------------|-----------------------|
| YEAR | MODEL |
| 2006-2012 | Yamaha FZ1 |
| PRODUCT | |
| 070BG132100 | Fender Eliminator Kit |

! Yoshimura R&D is not liable or responsible for any resulting event caused by the installation of this product. Check with local laws and regulations for compliance prior to installation and use. This product is designed and specified for off-road applications only and is not intended for use on public highways.



| No. | Part # | Description | Qty |
|-----|----------------|--|-----|
| 1 | 070BG-LPB13-01 | Yoshimura License Plate Bracket | 1 |
| 2 | 070BG-LPF | Yoshimura Aluminum License Plate Frame | 1 |
| 3 | 13800-TSR | Right Turn Signal Bracket | 1 |
| 4 | 13800-TSL | Left Turn Signal Bracket | 1 |
| 5 | M8X25 | 8mm x 25mm Socket Head Cap Screw | 4 |
| 6 | 8MMNUT | 8mm Flange Nut | 4 |
| 7 | M6X16BHS | 6mm x 16mm Button Head Cap Screw | 2 |
| 8 | M6X12BHS | 6mm x 12mm Button Head Cap Screw | 2 |
| 9 | 6MMLN | 6mm Lock Nut | 4 |
| 10 | 6MMWASHER | 6mm Washer | 4 |
| ** | 94785-01-ND | Butt Connectors | 2 |
| ** | ZT-200 | Cable Ties | 3 |
| ** | 17029 | Yoshimura Sticker Sheet | 1 |

-TOOLS REQUIRED-

Metric Socket Set

Combination Wrench Set

Metric Allen Wrench Set

-REMOVAL-

- 1. Remove passenger seat and disconnect license plate light and turn signal connectors.***
- 2. Remove stock fender by removing the (4) bolts.***
- 3. Remove stock turn signals from stock fender assembly.***
- 4. Cut the stock license plate light connector from the stock fender. BE SURE TO CUT AT LEAST A 6" SECTION OF WIRE FROM THE CONNECTOR.***

-INSTALLATION-

- 1. Using the connectors provided in the kit, connect the Yoshimura Fender Eliminator wires to the stock license plate light connector.***
- 2. Install Yoshimura Fender Eliminator kit as shown in the parts diagram using the nuts and bolts supplied in the kit.***
- 3. Install stock turn signals onto Yoshimura turn signal brackets using the reverse steps of removal.***
- 4. Route wiring through hole in bracket, then through tail section to stock location. Connect license plate light connector and turn signal connectors to stock harness.***
- 5. Check for function of license plate light and that all brackets and pieces are secure prior to riding.***