



PERFORMANCE EXHAUST SYSTEM

APPLICATION

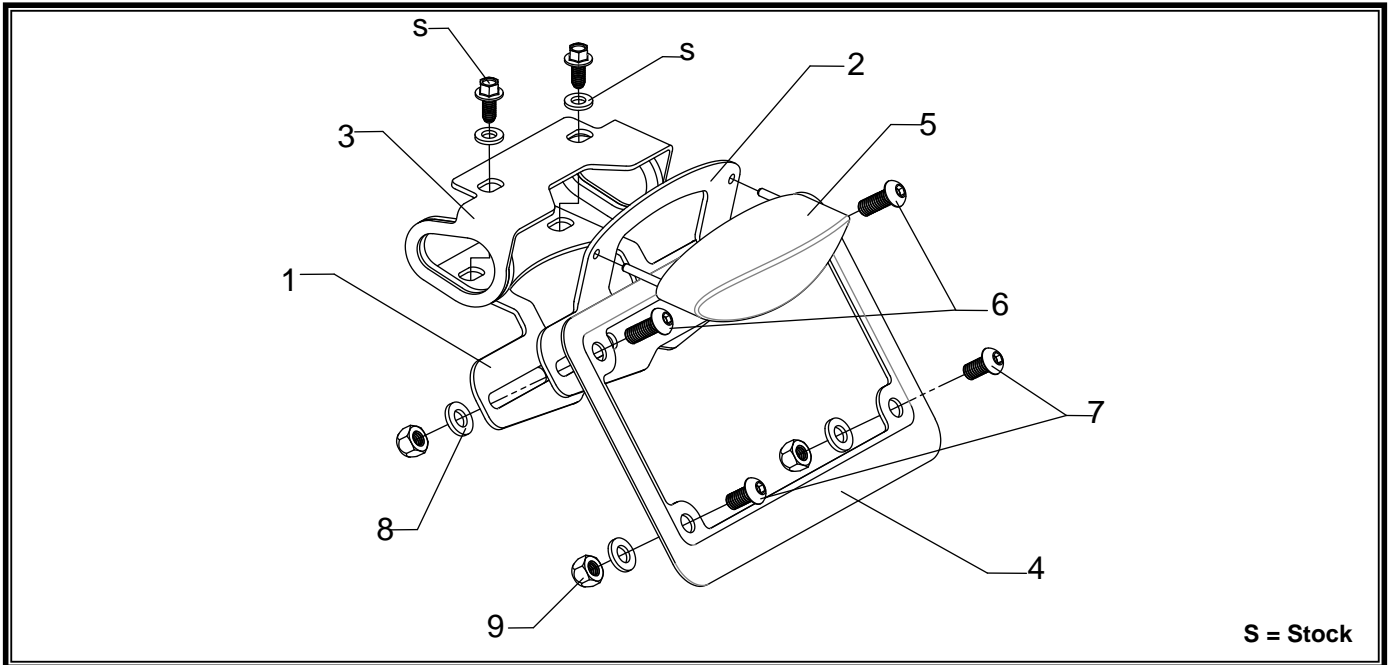
MAKE	MODEL
Yamaha	WR250X WR250R

PRODUCT

070BG133000	Fender Eliminator Kit
-------------	-----------------------



This product is not DOT approved. Yoshimura R&D of America, Inc. is not liable or responsible for any resulting event caused by the installation of this product. Check with local laws and regulations for compliance prior to installation and use. This product is not intended for use on public highways.



S = Stock

No.	Part #	Description	Qty
1	13300-FEBKT1	Fender Bracket 1	1
2	13300-FEBKT3	Fender Bracket 3	1
3	13300-FEBKT5	Turn Signal Bracket	1
4	070BG-LPF	License Plate Frame	1
5	602020-C	Fender Eliminator Light	1
6	M6X16BHS	6mm x 16mm Button Head Screw	2
7	M6X12BHS	6mm x 12mm Button Head Screw	2
8	6MMWASHER	6mm Washer	4
9	6MMLN	6mm Lock Nut	4
**	17029	Yoshimura Sticker Sheet	1

-TOOLS REQUIRED-

Metric Socket Set

Combination Wrench Set

Torque Wrench

Metric Allen Wrench Set

Screwdriver

-REMOVAL-

- 1. Remove the seat by removing the (2) seat bolts from below.***
- 2. Remove tail by removing the (2) bolts securing tail to frame.***
- 3. Slide tail toward the rear to unhook from frame and remove.***
- 4. Locate and disconnect tail light, license plate light, and turn signal connectors.***
- 5. While securely supporting the stock fender assembly, remove the (4) bolts securing fender to frame.***
- 6. Carefully remove stock fender assembly making sure not to snag and damage connectors.***
- 7. Remove stock turn signals from stock fender assembly.***

-INSTALLATION-

- 1. Install stock turn signals onto Yoshimura turn signal bracket.***
- 2. Assemble Yoshimura Fender Eliminator Kit according to the parts diagram using the hardware provided in the kit.***
- 3. Route wires and re-connect tail light, license plate light, and turn signal connectors.***
- 4. Secure Yoshimura fender eliminator assembly to frame using the (2) stock bolts.***
- 5. Re-install tail using the opposite steps of removal.***
- 6. Re-install seat and seat bolts.***
- 7. Check for function of license plate light and that all brackets and pieces are secure prior to riding.***