



YOSHIMURA

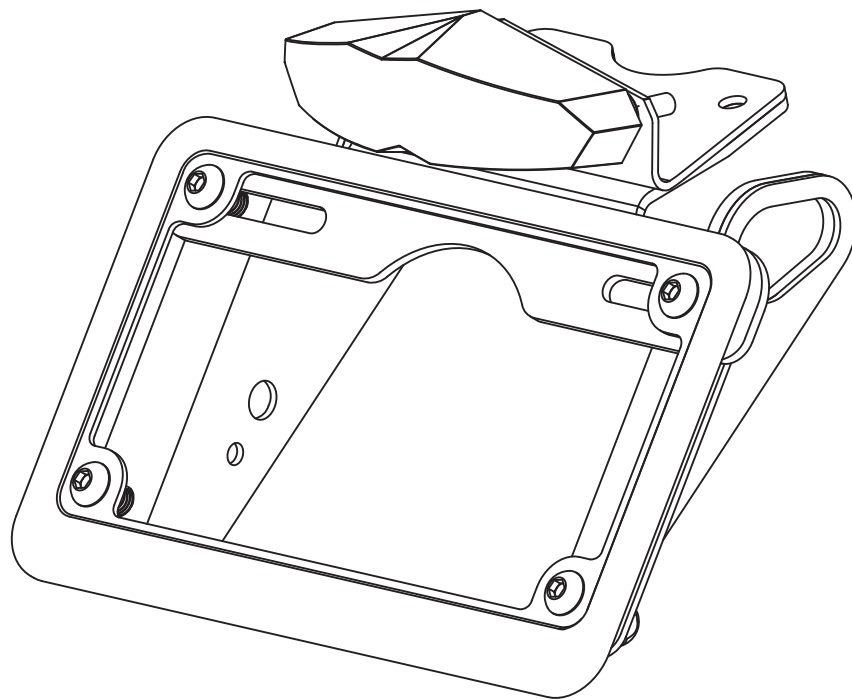
RESEARCH&DEVELOPMENT OF AMERICA, INC.

5420 DANIELS STREET STE A, CHINO CA., 91710 · (800) 634-9166 · (909) 628-4722 · FAX (909) 591-2198

www.yoshimura-rd.com

FENDER ELIMINATOR KIT

070BG133001
Yamaha WR250X/R

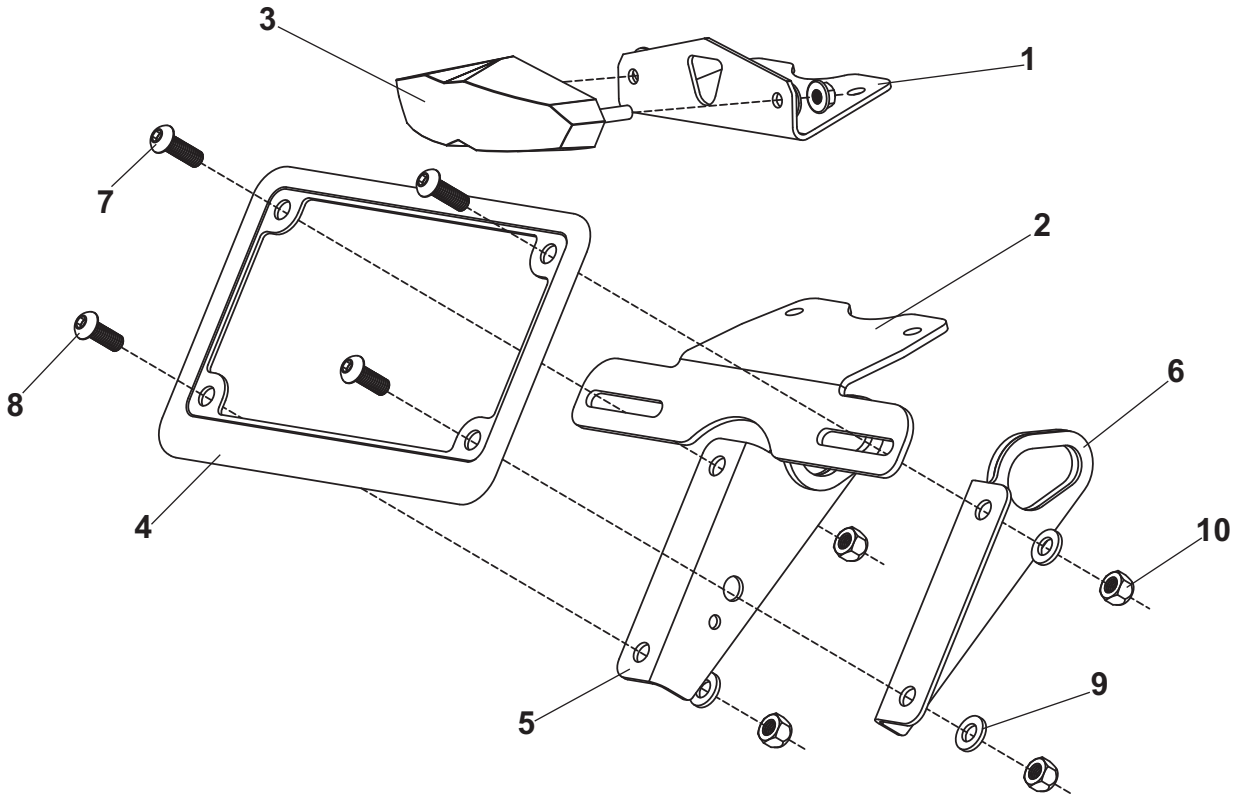


THIS PRODUCT IS NOT DOT APPROVED.

Yoshimura R&D of America, Inc. is not liable or responsible for any resulting event caused by the installation of this product. Check with local laws and regulations for compliance prior to installation and use. This product is not intended for use on public highways.



Assembly Diagram



No.	Item	Description	Qty.
1	13300-FEBKT-A	Fender Eliminator Light Bracket	1
2	13300-FEBKT-B	License Plate Bracket	1
3	HB025024-C	Fender Eliminator Light	1
4	070BG-LPF	License Plate Frame	1
5	13300-TSB-L	Left Turn Signal Bracket	1
6	13300-TSB-R	Right Turn Signal Bracket	1
7	M6X18BHS	6mm x 18mm Button Head Screw	2
8	M6X16BHS	6mm x 16mm Button Head Screw	2
9	6MMWASHER	6mm Washer	4
10	6MMLN	6mm Nylon Lock Nut	4
**	17029	Yoshimura Sticker Sheet	1
Optional Parts			
	072BGLTSFK	Yoshimura LED Front Turn Signal Kit	
	072BGLTSR	Yoshimura LED Rear Turn Signal Kit w/ Relay	
	070BGUNVTBKT	Universal Turn Signal Bracket Kit	

** Not shown on diagram.

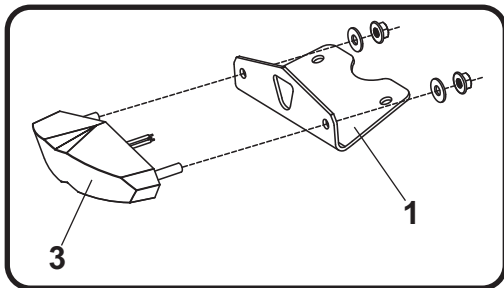
*** The Yoshimura Universal Turn Signal Bracket Kit is to be used with aftermarket stud-mounted turn signals and is sold separately.

Removal

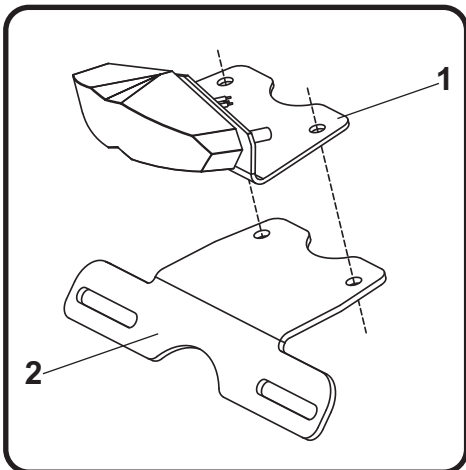
1. Remove rider seat.
2. Remove tail by removing the two bolts securing tail to frame from above.
3. Locate and disconnect the tail light and turn signal connectors.
4. While securely supporting the stock fender assembly, remove the four bolts securing the fender assembly to frame. Carefully remove the stock fender assembly making sure not to damage the connectors in the process.
5. Disassemble the stock fender assembly and remove left and right turn signals from fender assembly.

Installation

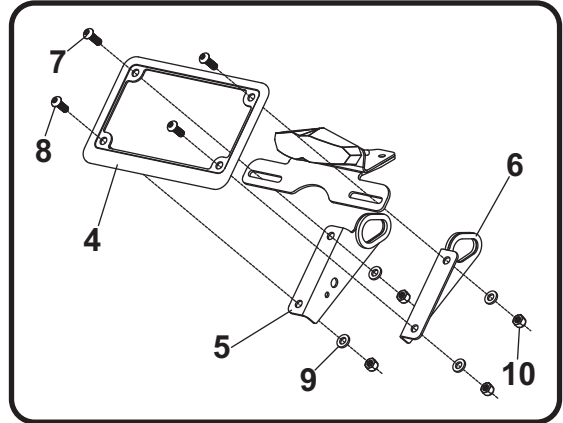
1. Install (No. 3) *HB025024-C*, fender eliminator light to (No. 1) *13300-FEBKT-A*, fender eliminator light bracket.



2. Install (No. 1) *13300-FEBKT-A*, fender eliminator light bracket and (No. 2) *13300-FEBKT-B*, license plate bracket to frame using the two stock fender bolts and washers.



3. Install stock left and right turn signals onto (No. 5,6) *13300-TSB-L/R*, turn signal brackets.
4. Install (No. 5,6) *13300-TSB-L/R*, left and right turn signal brackets and (No. 4) *070BG-LPF*, license plate frame using the (No. 7,8) *M6X18BHS* and *M6X16BHS*, 6mm button head screws as shown.



5. Re-connect tail light and turn signal connectors.
6. Re-install tail using the stock bolts.
7. Re-install rider seat.
8. Check for proper function of license plate light and turn signals and that all brackets and components are secure prior to riding.