



Fender Eliminator Kit

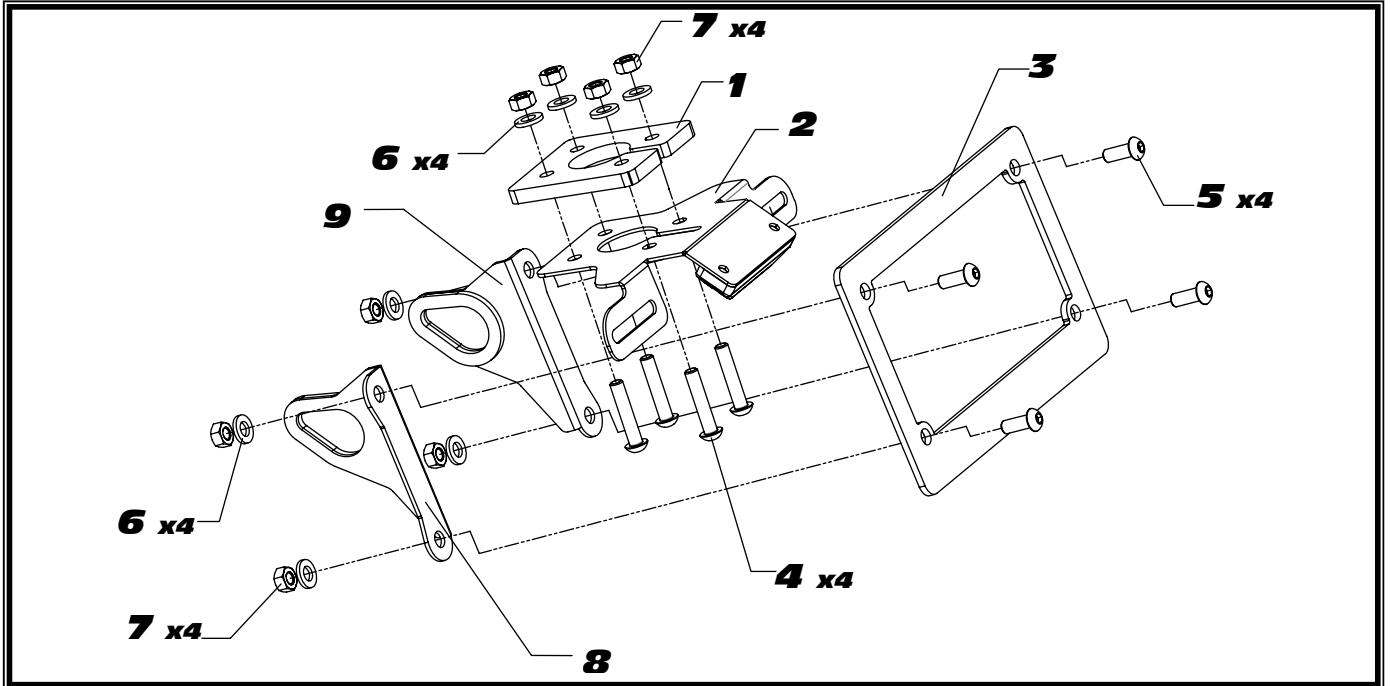
APPLICATION

YEAR	MODEL
2006-2013	Yamaha YZF-R6V

PRODUCT

070BG136301	Fender Eliminator Kit
-------------	-----------------------

! This product is not DOT approved. Yoshimura R&D of America, Inc. is not liable or responsible for any resulting event caused by the installation of this product. Check with local laws and regulations for compliance prior to installation and use. This product is not intended for use on public highways.



No.	Part #	Description	Qty
1	1363-FEB	Yoshimura Fender Eliminator Brkt	1
2	070BG-LPB4-01	Yoshimura License Plate Bracket	1
3	070BG-LPF	Yoshimura Aluminum License Plate Frame	1
4	M6X30BHS	6mm x 30mm Button Head Screw	4
5	M6X16BHS	6mm x 16mm Button Head Screw	4
6	6MMWASHER	6mm Washer	8
7	6MMLN	6mm Nylon Lock Nut	8
8	13630-TSBR-00	Right Turn Signal Bracket	1
9	13630-TSBL-00	Left Turn Signal Bracket	1
**	ZT-200	Zip Ties	3
**	94785-01-ND	Butt Connectors	2
**	17029	Yoshimura Sticker Sht	1

-TOOLS REQUIRED-

Metric Socket Set

Combination Wrench Set

Metric Allen Wrench Set

-REMOVAL-

- 1. Remove passenger and rider seat and disconnect the license plate light, turn signals, and tail light connectors.***
- 2. Remove tail and cowl section.***
- 3. Remove rear seat locking assembly.***
- 4. Remove fairing cross-plate bracket by removing the 4 allen bolts and 4 screws.***
- 5. Remove ECU from tray. DO NOT DISCONNECT ECU.***
- 6. Remove the (3) push tabs securing the tray in place and lift tray to access the (4) fairing bolts.***
- 7. Remove the stock fender by removing the (4) bolts.***
- 8. Remove stock turn signals from stock fender assembly.***
- 9. Cut the stock license plate light connector from the stock fender. BE SURE TO CUT AT LEAST A 6" SECTION OF WIRE FROM THE CONNECTOR.***

-INSTALLATION-

- 1. Using the connectors provided in the kit, connect the Yoshimura Fender Eliminator wires to the stock license plate light connector as follows: Red wire goes to White wire; Black wire goes to Black w/ White stripe. (For 2011-2013 Models, Red wire goes to Blue w/ Red Stripe; Black wire goes to Black.)***
- 2. Install Yoshimura Fender Eliminator kit as shown in the parts diagram. Note the order of components mounted to the subframe; the Yoshimura Fender Bracket plate fits between the stock tail and the Yoshimura License Plate Bracket.***
- 3. Install stock turn signals onto Yoshimura turn signal brackets using the reverse steps of removal.***
- 4. Route wiring through hole in bracket, then through tail section to stock location. Connect license plate light connector to stock harness. Use zip ties to secure license plate light wires.***
- 5. Re-install all components opposite of removal.***
- 6. Check for function of license plate light and that all brackets and pieces are secure prior to riding.***