



# YOSHIMURA

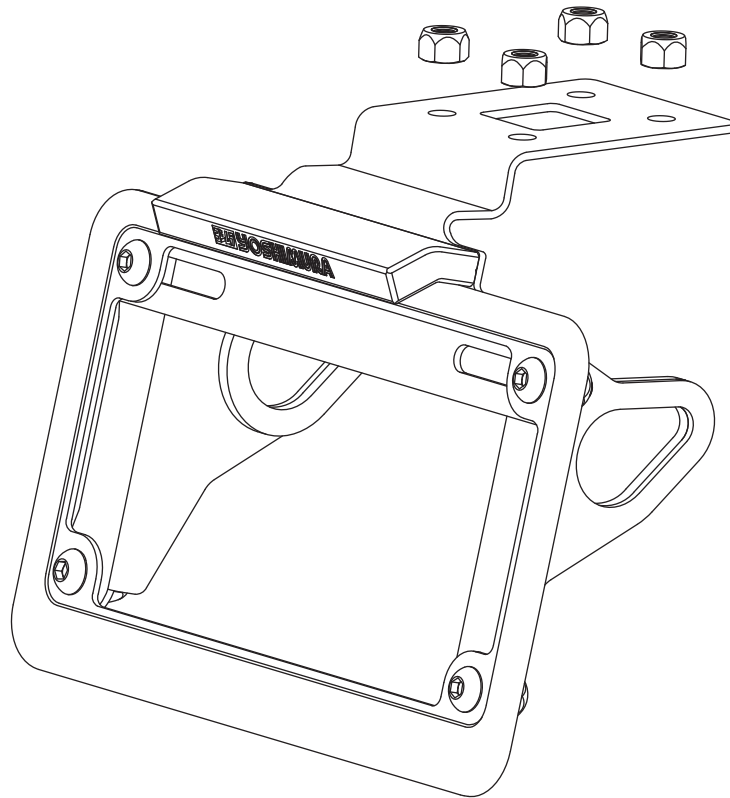
RESEARCH&DEVELOPMENT OF AMERICA, INC.

5420 DANIELS STREET STE A, CHINO CA., 91710 · (800) 634-9166 · (909) 628-4722 · FAX (909) 591-2198

[www.yoshimura-rd.com](http://www.yoshimura-rd.com)

## **FENDER ELIMINATOR KIT**

**070BG136310**  
**Yamaha YZF-R6**

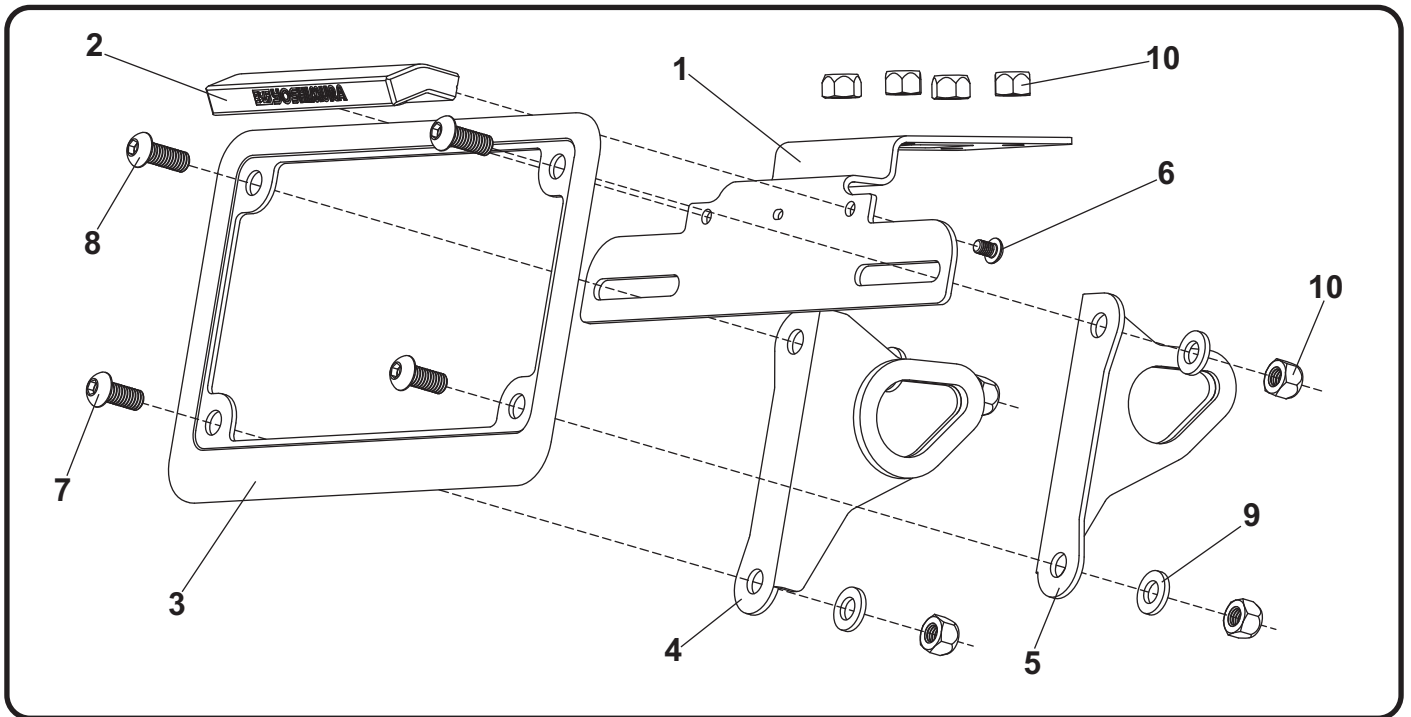


**THIS PRODUCT IS NOT DOT APPROVED.**

Yoshimura R&D of America, Inc. is not liable or responsible for any resulting event caused by the installation of this product. Check with local laws and regulations for compliance prior to installation and use. This product is not intended for use on public highways.



## Assembly Diagram



No.	Item	Description	Qty.
1	13631-FEBKT	Fender Eliminator Bracket	1
2	070BG-LH-K	LED License Plate Light	1
3	070BG-LPF	License Plate Frame	1
4	13630-TSBL-00	Left Turn Signal Bracket	1
5	13630-TSBR-00	Right Turn Signal Bracket	1
6	M4X6BHS	4mm x 6mm Button Head Screw	2
7	M6X14BHS	6mm x 14mm Button Head Screw	2
8	M6X16BHS	6mm x 16mm Button Head Screw	2
9	6MMWASHER	6mm Washer	4
10	6MMLN	6mm Nylon Lock Nut	8
**	94785-01-ND	Butt Connectors	2
**	ZT-200	Cable Ties	2
**	17029	Yoshimura Sticker Sheet	1
<b>Optional Parts</b>			
***	070BGUNVTBKT	Universal Turn Signal Bracket Kit	

\*\*\* The Yoshimura Universal Turn Signal Bracket Kit is to be used with aftermarket stud-mounted turn signals and is sold separately.

## Removal

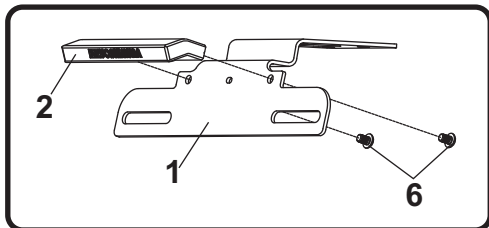
1. Remove rider and passenger seat.
2. Remove rear center cover between rider and passenger seat.
3. Remove passenger seat bracket.
4. Locate and disconnect license plate light and turn signal connectors.
5. While securely supporting the stock fender assembly, remove the four bolts securing fender assembly to frame. Carefully remove making sure not to damage turn signal and license plate light wire connectors.

Note: The two dog-bone washers will be re-used.

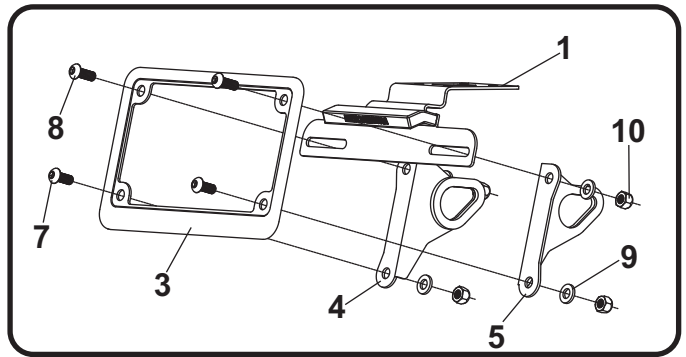
6. Disassemble the stock fender assembly and remove left and right turn signals.
7. Cut the stock license plate light connector wires on the stock fender assembly side. Be sure to cut at least a 6" section of wire from the connector.

## Installation

1. Install (No. 2) *070BG-LH-K*, light onto (No. 1) *13631-FEBKT*, fender eliminator bracket using (No. 6) *M4X6BHS*, 4mm screw.



2. Using the *94785-01-ND*, butt connectors provided in the kit, connect the Yoshimura license plate light wires to the stock license plate light wires.
3. Install stock left and right turn signals onto (No. 4,5) *13630-TSBL/R-00*, turn signal brackets.
4. Assemble and install (No. 3) *070-BG-LPF*, license plate frame, (No. 1) *13631-FEBKT*, fender eliminator bracket, and (No. 4,5) *13630-TSBL/R-00*, turn signal brackets using (No. 7,8) *M6X14BHS* & *M6X16BHS*, 6mm screws as shown.



5. Route wires through hole in fender eliminator bracket and through undertail.
6. Secure (No. 1) *13631-FEBKT*, fender eliminator bracket using the stock fender bolts, stock dog-bone washers, and (No. 10) *6MMLN*, nuts.

Note<sup>1</sup>: Install the stock fender bolts from beneath.

Note<sup>2</sup>: Install the stock dog-bone washers between the frame and 6mm nuts.

7. Re-connect license plate light and turn signal connectors and route wires in stock location. Once connected, test license plate light for proper function. Secure using supplied *ZT-200*, cable ties.

Note: The Yoshimura LED light has polarity. If the light does not turn on, switch license plate light pin connectors.

8. Re-install passenger seat bracket and rear center cover between rider and passenger seat.
9. Re-install rider and passenger seat.
10. Check for proper function of license plate light, turn signals, brake light, and that all brackets and components are secure prior to riding.