



# YOSHIMURA

RESEARCH & DEVELOPMENT OF AMERICA, INC.

5420 DANIELS STREET STE A, CHINO CALIF. 91710 · (800)634-9166 · (909)628-4722 · FACSIMILE (909)591-2198

[www.yoshimura-rd.com](http://www.yoshimura-rd.com)

**070BG141701**

08-10 Kawasaki ZX10R / '09-12 Kawasaki ZX6R Fender Eliminator Kit

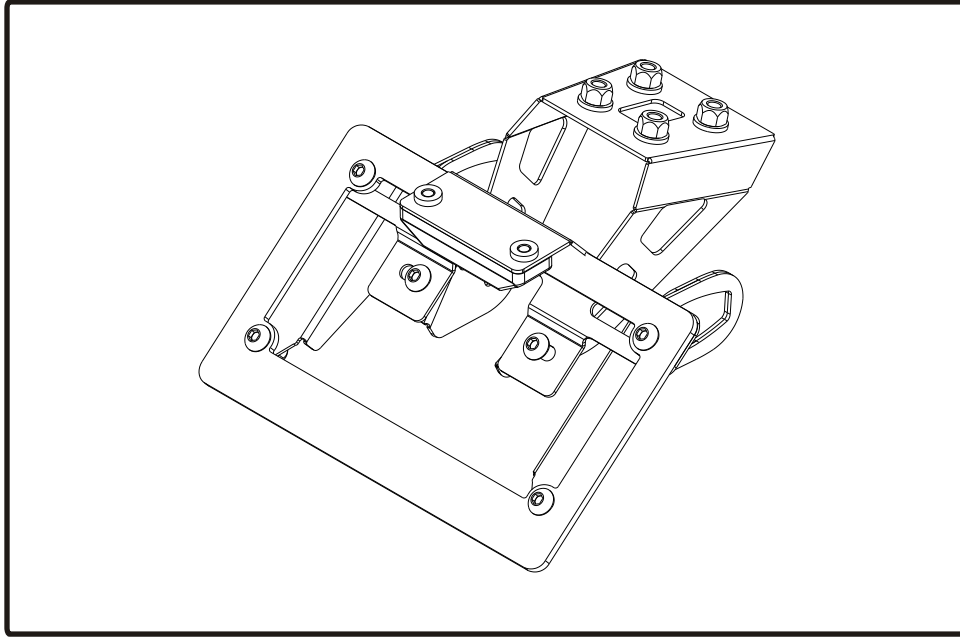


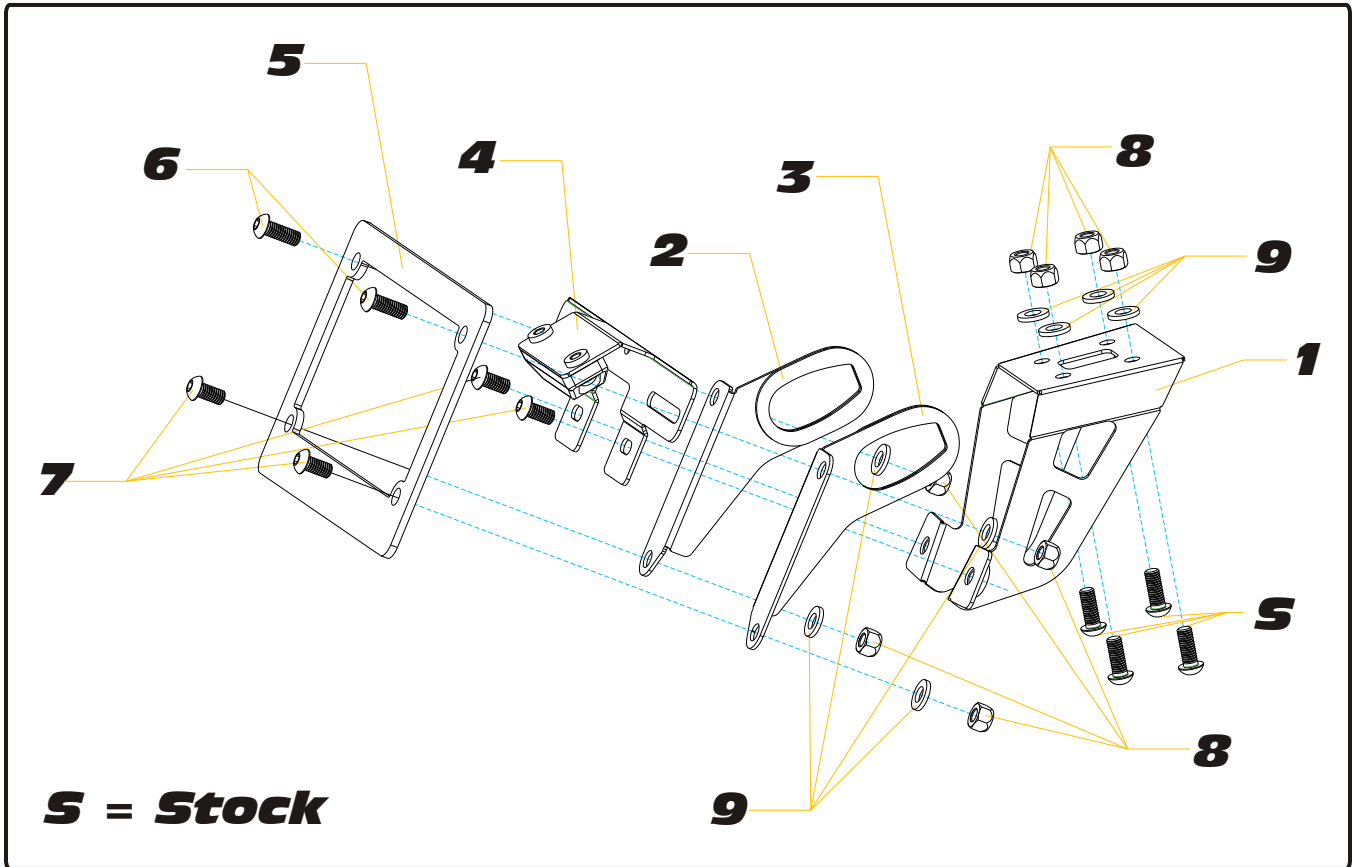
Image displaying 2010 ZX10R. Variances may be present for ZX6R models.

## **NOTE:**

This product is not DOT approved. Yoshimura R&D of America, Inc. is not liable or responsible for any resulting event caused by the installation of this product. Check with local laws and regulations for compliance prior to installation and use. This product is not intended for use on public highways.

## **Installation Instructions:**

1. Remove tail cowl or passenger seat. Disconnect license plate light connector.
2. Remove stock fender and turn signals by removing 4 bolts. Separate the turn signals from the stock fender by removing the screw and plate holding the turn signals to the fender assembly.
3. Cut the stock license plate light connector from stock fender. BE SURE TO CUT AT LEAST A 6" SECTION OF WIRE FROM THE CONNECTOR. Using the connectors in the kit, connect the Yoshimura Fender Eliminator wires to the stock license plate light connector as follows: Red wire goes to Red wire; Black wire goes to black w/ yellow stripe.
4. Install Yoshimura Fender Eliminator kit as shown in parts diagram on page 2. Install stock turn signals onto left and right turn signal, using the stock plate and screw.
5. Route wiring through hole in bracket, then through tail section to stock location. Connect license plate light connector and turn signal connectors to stock harness. Use cable ties to secure license plate light wires beneath seat.
6. Check for function of license plate light and that all brackets and pieces are secure prior to riding.



| <b>NO.</b> | <b>DESCRIPTION</b>           | <b>QTY</b> | <b>PART #</b>   |
|------------|------------------------------|------------|-----------------|
| 1          | Fender Eliminator Bracket    | 1          | 1417-FEB-00     |
| 2          | Left Turn Signal Bracket     | 1          | 1417-TSL-BKT-00 |
| 3          | Right Turn Signal Bracket    | 1          | 1417-TSR-BKT-00 |
| 4          | License Plate Bracket        | 1          | 070BG-LPB3-02   |
| 5          | License Plate Frame          | 1          | 070BG-LPF       |
| 6          | 6mm x 16mm Button Head Screw | 2          | M6X16BHS        |
| 7          | 6mm x 12mm Button Head Screw | 4          | M6X12BHS        |
| 8          | 6mm Nylon Lock Nut           | 8          | 6MMLN           |
| 9          | 6mm Flat Washer              | 8          | 6MMWASHER       |
| ***        | Butt Connectors              | 2          | 94785-01-ND     |
| ***        | Cable Ties                   | 3          | ZT-200          |
| ***        | Yoshimura Sticker Sheet      | 1          | 17029           |
| ***        | Instructions Manual          | 1          | INST KIT        |