


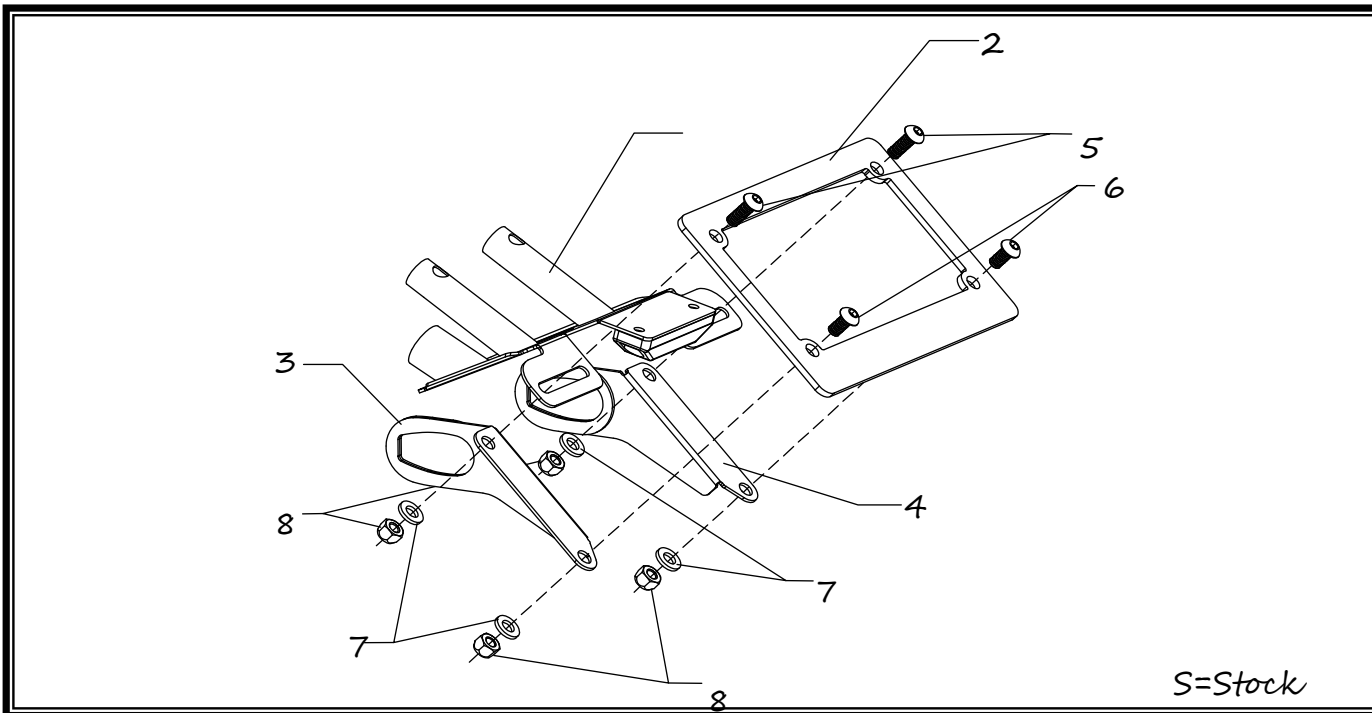


Fender Eliminator Kit

APPLICATION

YEAR	MODEL
2011-2013	Kawasaki ZX10R
PRODUCT	
070BG141800	Fender Eliminator Kit

 This product is not DOT approved. Yoshimura R&D of America, Inc. is not liable or responsible for any resulting event caused by the installation of this product. Check with local laws and regulations for compliance prior to installation and use. This product is not intended for use on public highways.



No.	Part #	Description	Qty
1	070BG-LPB7-01	Yoshimura Fender Eliminator Brkt	1
2	070BG-LPF	Yoshimura Aluminum License Plate Frame	1
3	1417-TSL-BKT-00	Left Turn Signal Bracket	1
4	1417-TSR-BKT-00	Right Turn Signal Bracket	1
5	M6X16BHS	6mm x 16mm Button Head Screw	2
6	M6X12BHS	6mm x 12mm Button Head Screw	2
7	6MMWASHER	6mm Washer	4
8	6MMLN	6mm Lock Nut	4
**	ZT-400	Zip Ties	2
**	94785-01-ND	Butt Connectors	2
**	17029	Yoshimura Sticker Sht	1

-TOOLS REQUIRED-

Metric Socket Set

Combination Wrench Set

Metric Allen Wrench Set

-REMOVAL-

- 1. Remove rear seat.**
- 2. Remove 4 bolts holding rear seat cover.**
- 3. Disconnect licence plate light, turn signal, and brake light connectors.**
- 4. Locate the 2 bolts holding the stock fender tube brackets in place and remove.**
- 5. Slide stock fender assembly out.**

-INSTALLATION-

- 1. Assemble Yoshimura Fender Eliminator Kit as shown in the parts diagram.**
- 2. Install Yoshimura Fender Eliminator bracket by inserting the 3 mounting tubes in the stock location and re-install the 2 mounting bolts to secure into place.**
- 3. Cut off and remove 2" of the sleeve at the middle of the harness where the wires split off to each of the turn signals and to the rear license plate illumination light. Cut off the stock license plate illumination light wires 75mm away from the light.**
- 4. Attach stock turn signals to Yoshimura fender assembly.**
- 5. Route license plate light and turn signal harness through stock opening in undertail cowling.**
- 6. Using the supplied butt connectors, connect the license plate illumination light wires to the plate light as follows:**

Yoshimura FE Wire-----Stock Sub-harness
Red Wire-----Blue/Black
Black Wire-----Black/Yellow

(Note: Use of soldering and heat shrink tubing is recommended)

- 7. Re-connect turn signal wires.**
- 8. To prevent loose wires and/or connections, route and secure the wires inside the tail section using the provided zip ties from the kit.**
- 9. Re-install cowl cover and rear seat.**
- 10. Check for function of license plate light and turn signals and that all brackets and components are secure prior to riding.**