



YOSHIMURA

RESEARCH&DEVELOPMENT OF AMERICA, INC.

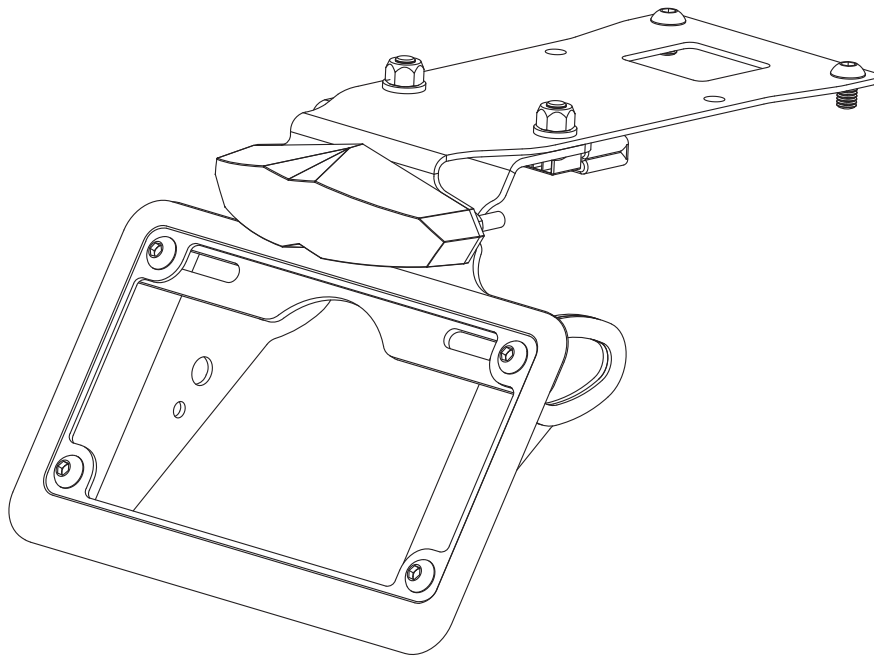
5420 DANIELS STREET STE A, CHINO CA., 91710 · (800) 634-9166 · (909) 628-4722 · FAX (909) 591-2198

www.yoshimura-rd.com

FENDER ELIMINATOR KIT

070BG143001

Kawasaki KLX250

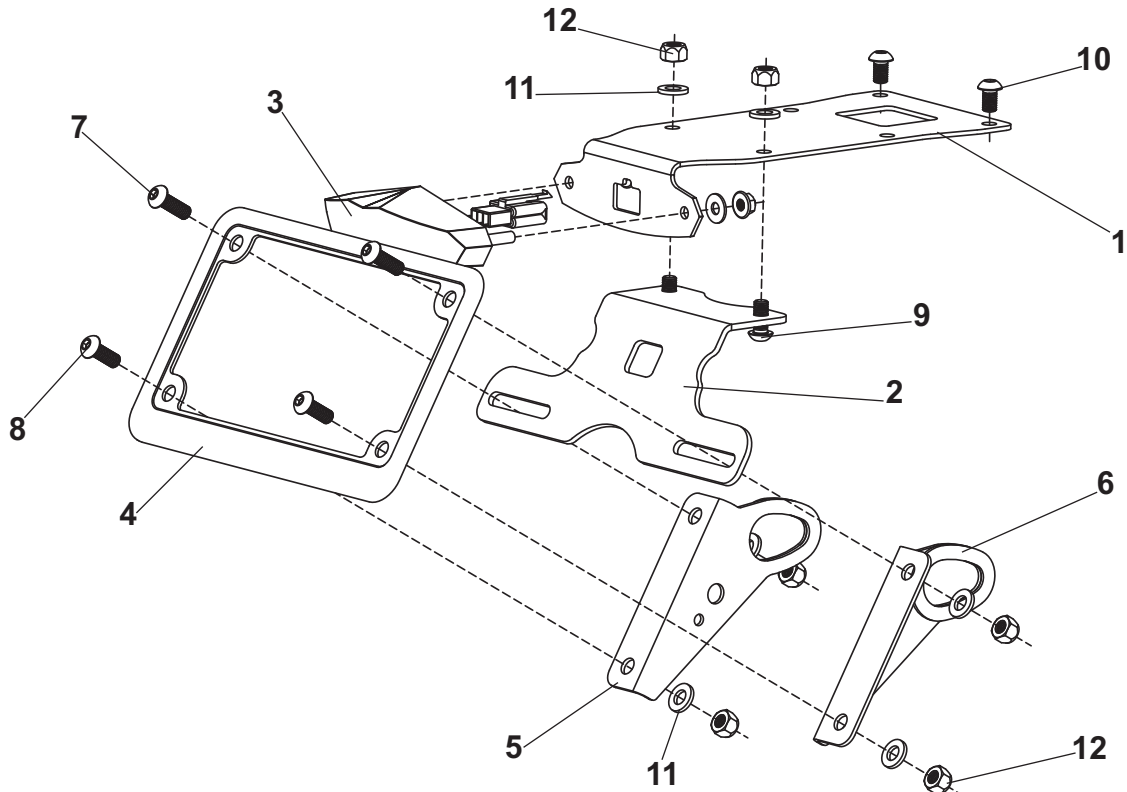


THIS PRODUCT IS NOT DOT APPROVED.

Yoshimura R&D of America, Inc. is not liable or responsible for any resulting event caused by the installation of this product. Check with local laws and regulations for compliance prior to installation and use. This product is not intended for use on public highways.



Assembly Diagram



No.	Item	Description	Qty.
1	14300-FEBKT-A	Fender Eliminator Bracket	1
2	14300-FEBKT-B	Fender Eliminator License Plate Bracket	1
3	HB025024-D	KLX250 Combination Light w/ Connector	1
4	070BG-LPF	License Plate Frame	1
5	14300-TSB-L	Left Turn Signal Bracket	1
6	14300-TSB-R	Right Turn Signal Bracket	1
7	M6X18BHS	6mm x 18mm Button Head Screw	2
8	M6X16BHS	6mm x 16mm Button Head Screw	2
9	M6X14BHS	6mm x 14mm Button Head Screw	2
10	M6X10BHS	6mm x 10mm Button Head Screw	2
11	6MMWASHER	6mm Washer	6
12	6MMLN	6mm Nylon Lock Nut	6
**	17100	Yoshimura Sticker Sheet	1
Optional Parts			
	072BGLTSFK	Yoshimura LED Front Turn Signal Kit	
	072BGLTSR	Yoshimura LED Rear Turn Signal Kit w/ Relay	
	070BGUNVTBKT	Universal Turn Signal Bracket Kit	

** Not shown on diagram.

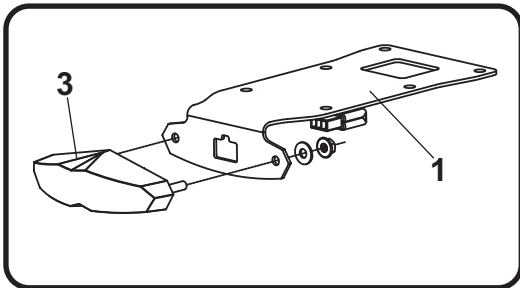
*** The Yoshimura Universal Turn Signal Bracket Kit is to be used with aftermarket stud-mounted turn signals and is sold separately.

Removal

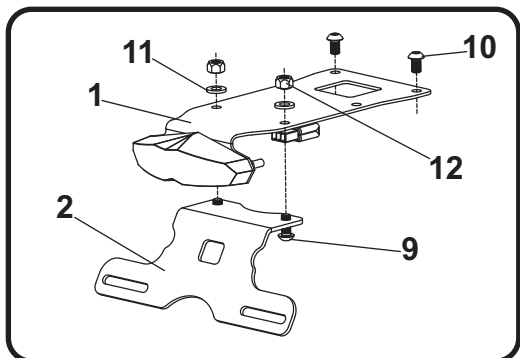
1. Remove tool bag from upper rear fender.
2. Remove left and right side panels.
3. Remove rider seat.
4. Remove bolts securing upper rear fender to frame and carefully remove upper rear fender.
5. Locate and disconnect brake light and turn signal connectors.
6. While securely supporting the stock fender assembly, remove the two bolts securing the fender assembly to frame. Carefully remove the stock fender assembly making sure not to damage connectors in the process.
7. Disassemble and remove left and right turn signals from the stock fender assembly.

Installation

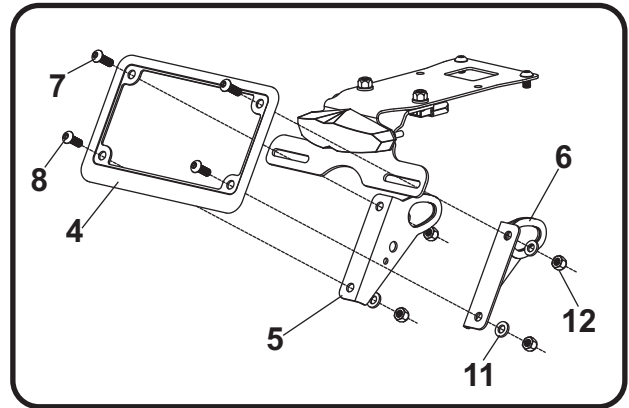
1. Install (No. 3) *HB025024-D*, light to (No. 1) *14300-FEBKT-A*, fender eliminator bracket.



2. Install (No. 2) *14300-FEBKT-B*, license plate bracket and (No. 1) *14300-FEBKT-A*, fender eliminator bracket to frame using (No. 9,10) 6mm screws and (No. 11,12) 6mm washers and lock nuts as shown.



3. Install stock turn signals onto (No. 5,6) *14300-TSB-L/R*, left and right turn signal brackets using the stock hardware.
4. Assemble and install (No. 4) *070BG-LPF*, license plate frame and (No. 5,6) *14300-TSB-L/R*, turn signal brackets using (No. 7,8) 6mm screws and (No. 11,12) 6mm washers and lock nuts as shown.



5. Route combination light and turn signal wires through opening in (No. 1) *14300-FEBKT-A*, fender eliminator bracket and to stock location. Re-connect brake light and turn signal connectors.
6. Re-install upper rear fender using the reverse steps of removal.
7. Re-install rider seat.
8. Re-install left and right side panels.
9. Re-install tool bag using the stock mounting hardware.
10. Check for proper function of license plate light and turn signals and that all brackets and components are secure prior to riding.