

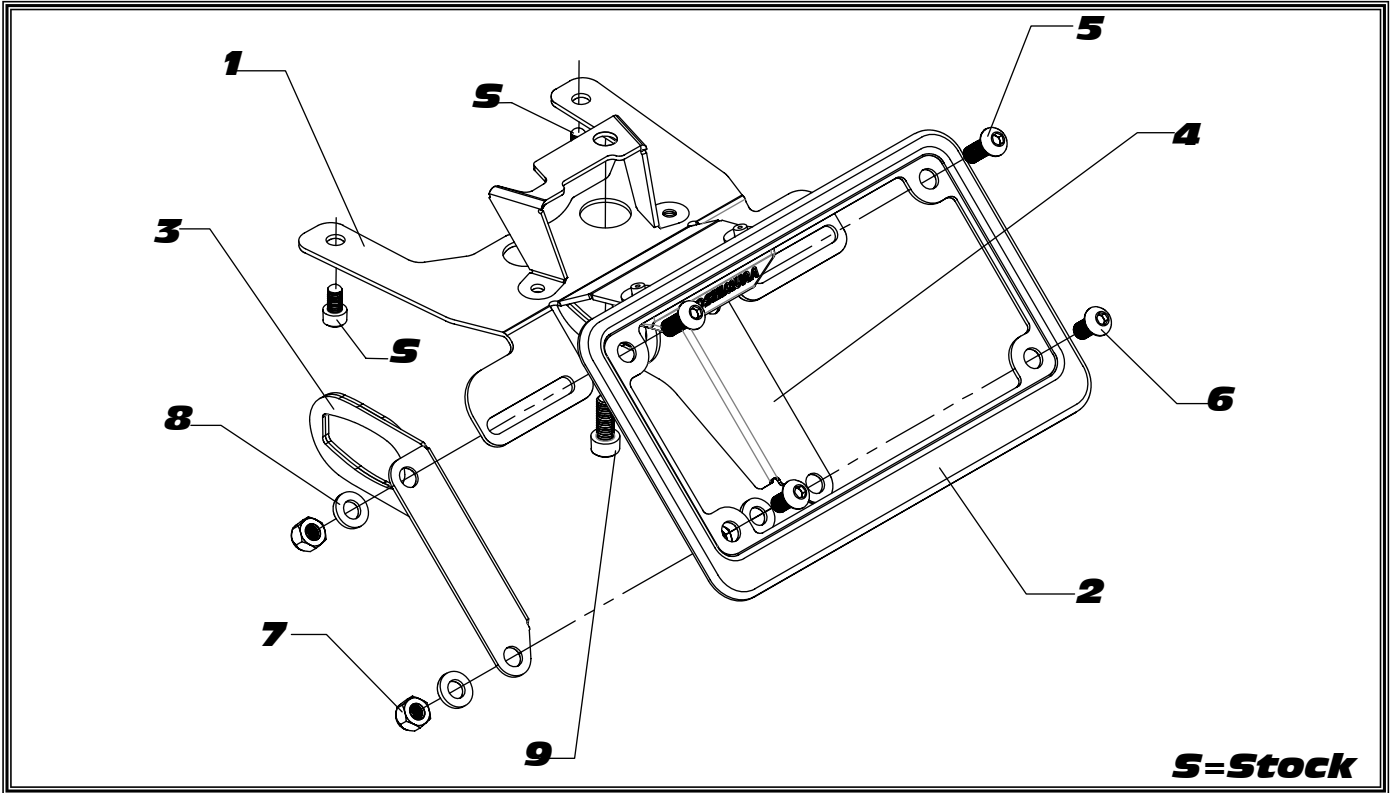


Fender Eliminator Kit

APPLICATION

| | |
|-------------|-----------------------|
| YEAR | MODEL |
| 2010-2013 | Kawasaki Versys |
| PRODUCT | |
| 070BG143510 | Fender Eliminator Kit |

! This product is not DOT approved. Yoshimura R&D of America, Inc. is not liable or responsible for any resulting event caused by the installation of this product. Check with local laws and regulations for compliance prior to installation and use. This product is not intended for use on public highways.



| No. | Part # | Description | Qty |
|-----|-----------------|----------------------------------|-----|
| 1 | 070BG-LPB14-01 | Yoshimura License Plate Bracket | 1 |
| 2 | 070BG-LPF | Yoshimura License Plate Frame | 1 |
| 3 | 1417-TSL-BKT-00 | Left Turn Signal Bracket | 1 |
| 4 | 1417-TSR-BKT-00 | Right Turn Signal Bracket | 1 |
| 5 | M6X16BHS | 6mm x 16mm Button Head Screw | 2 |
| 6 | M6X12BHS | 6mm x 12mm Button Head Screw | 2 |
| 7 | 6MMLN | 6mm Lock Nut | 4 |
| 8 | 6MMWASHER | 6mm Washer | 4 |
| 9 | M6X16 | 6mm x 16mm Socket Head Cap Screw | 1 |
| ** | 94785-01-ND | Butt Connectors | 2 |
| ** | ZT-300 | Cable Ties | 3 |
| ** | 17029 | Yoshimura Sticker Sheet | 1 |

-TOOLS REQUIRED-

Metric Socket Set

Combination Wrench Set

Metric Allen Wrench Set

-REMOVAL-

- 1. Remove tail cowl or passenger seat and disconnect the license plate light and turn signal connectors.***
- 2. While securely supporting the fender assembly, remove the (3) bolts securing fender assembly from below.***
- 3. Remove the bolts securing fender brace to fender assembly.***
- 4. Remove stock turn signals from fender assembly.***
Note: Stock mounting hardware will be reused when installing turn signals onto Yoshimura turn signal bracket.
- 5. Cut the stock license plate light connector from the stock fender. BE SURE TO CUT AT LEAST A 6" SECTION OF WIRE FROM THE CONNECTOR.***

-INSTALLATION-

- 1. Using the connectors provided in the kit, connect the Yoshimura Fender Eliminator wires to the stock license plate light connector as follows: Red wire goes to Red; Black wire goes to Black w/ Yellow stripe.***
- 2. Assemble and install Yoshimura fender eliminator according to the parts diagram.***
- 3. Route wiring through hole in bracket, then through tail section to stock location. Connect license plate light and turn signal connectors to stock harness.***
- 4. Using the provided bolt in conjunction with the stock bolts, install Yoshimura Fender Eliminator bracket. See diagram for proper orientation.***
- 5. Check for function of license plate light and that all brackets and pieces are secure prior to riding.***