



YOSHIMURA

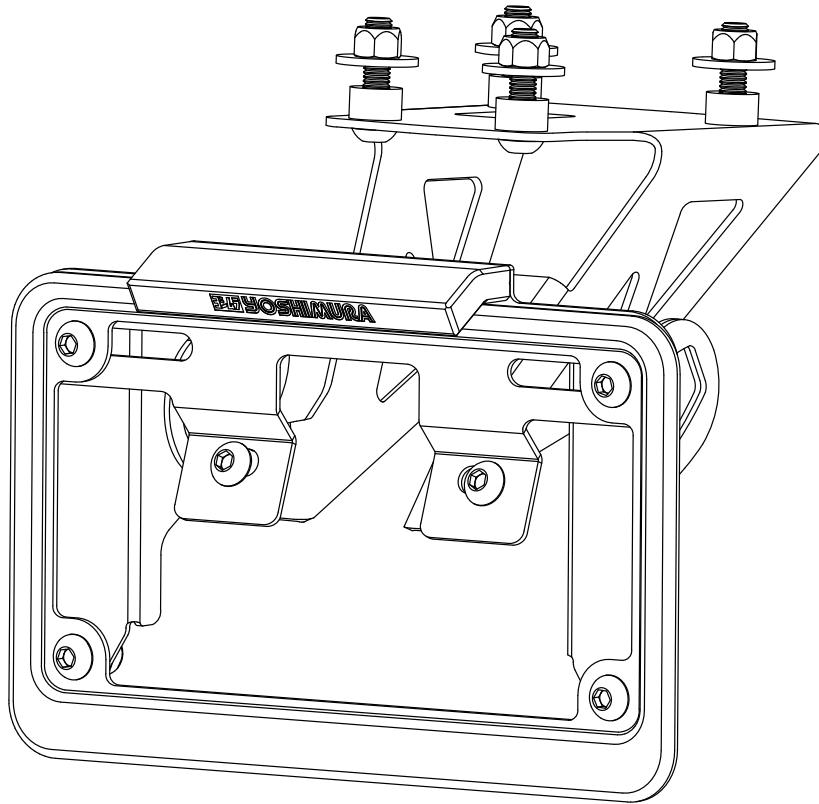
RESEARCH&DEVELOPMENT OF AMERICA, INC.

5420 DANIELS STREET STE A, CHINO CA., 91710 · (800) 634-9166 · (909) 628-4722 · FAX (909) 591-2198

www.yoshimura-rd.com

FENDER ELIMINATOR KIT

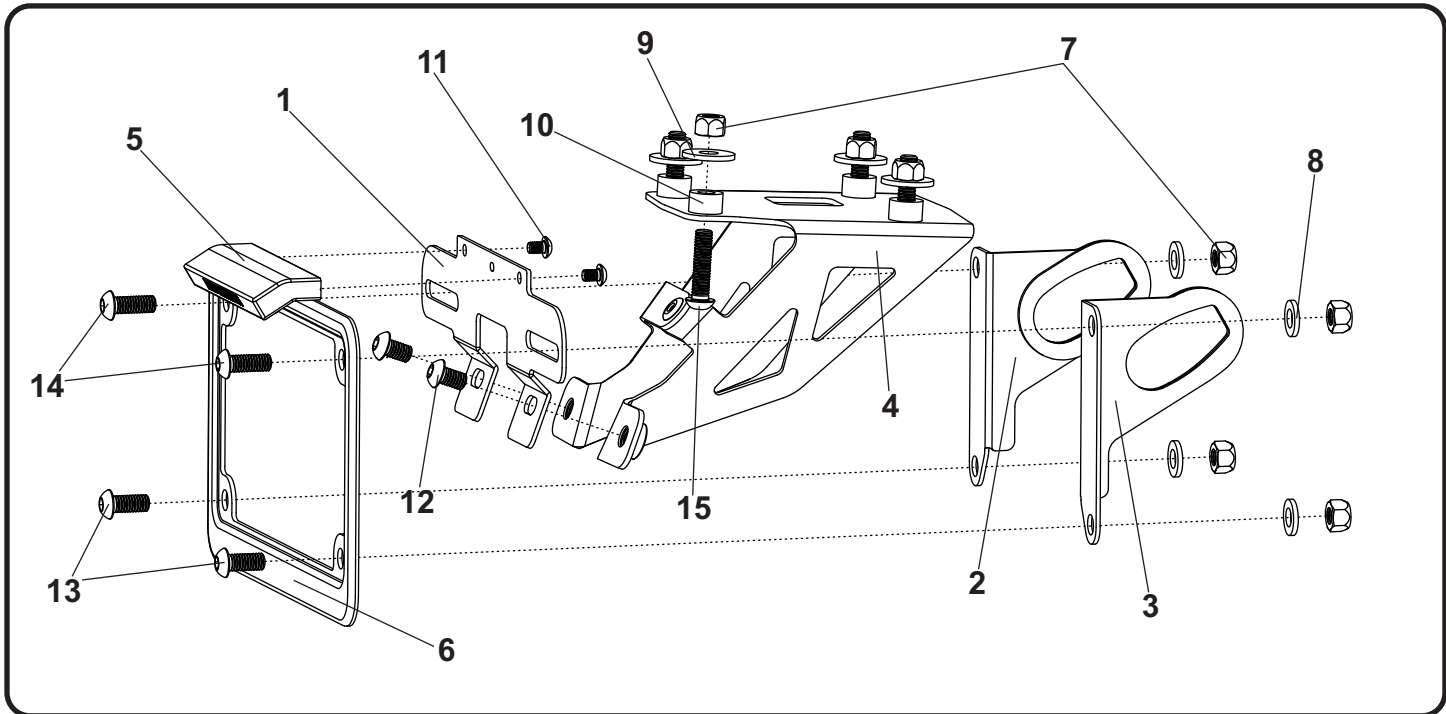
070BG149000
Kawasaki Z900



THIS PRODUCT IS NOT DOT APPROVED.

Yoshimura R&D of America, Inc. is not liable or responsible for any resulting event caused by the installation of this product. Check with local laws and regulations for compliance prior to installation and use. This product is not intended for use on public highways.





No.	Item	Description	Qty.
1	12200-FEBKT	License Plate Bracket	1
2	14200-TSL	Left Turn Signal Bracket	1
3	14200-TSR	Right Turn Signal Bracket	1
4	14900-FEBKT	Fender Eliminator Bracket	1
5	070BG-LH-K	LED Light	1
6	070BG-LPF	License Plate Frame	1
7	6MMLN	6mm Nylon Lock Nut	8
8	6MMWASHER	6mm Flat Washer	4
9	6MMWASHERL	6mm Large Flat Washer	4
10	6X12X7SPR	Aluminum Spacer	4
11	M4X6BHS	4mm X 6mm Button Head Screw	2
12	M6X10BHS	6mm X 10mm Button Head Screw	2
13	M6X14BHS	6mm X 14mm Button Head Screw	2
14	M6X16BHS	6mm X 16mm Button Head Screw	2
15	M6X25BHS	6mm X 25mm Button Head Screw	4
**	ZT-200	Cable Ties	2
**	17029	Yoshimura Sticker Kit	1
**	94785-01-ND	Butt Connectors	2

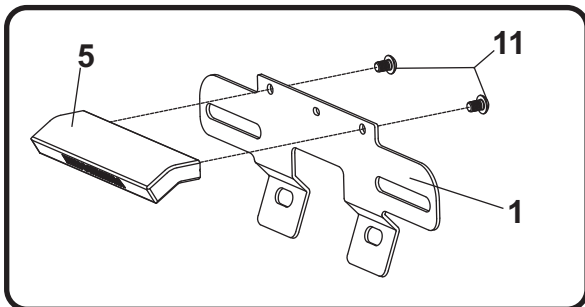
*** The Yoshimura Universal Turn Signal Bracket Kit is to be used with aftermarket stud-mounted turn signals and is sold separately.

Removal

1. Remove passenger seat.
2. Remove the upper rear seat cover.
3. Locate and disconnect the license plate light and turn signal connectors.
4. While securely supporting the stock fender assembly, remove the four bolts securing the fender assembly to the frame. Carefully remove the stock fender assembly making sure not to damage the connectors in the process.
5. Disassemble the stock fender assembly and remove the left and right turn signals.
6. Cut the stock license plate light connector from the stock fender assembly. Be sure to cut at least a 6" section of wire from the connector.

Installation

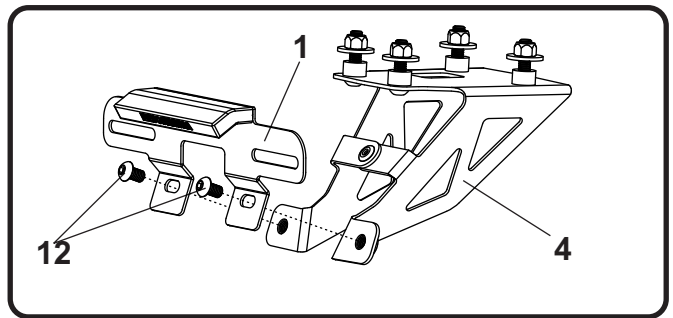
1. Install (No. 5) *070BG-LH-K*, Yoshimura license plate light onto (No. 1) *12200-FEBKT*, Yoshimura fender eliminator bracket using (No. 11) *M4X6BHS*, 4mm button head screws provided in the kit.



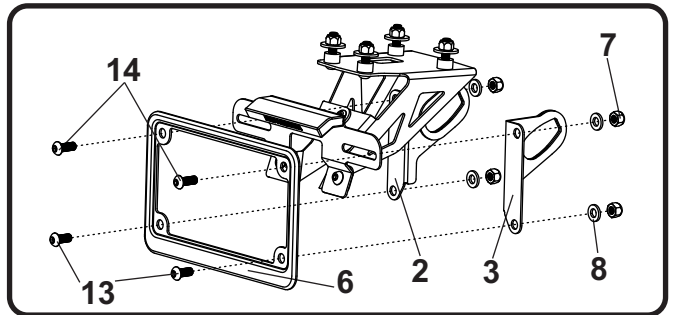
2. Using the *94785-01-ND* butt connectors provided in the kit, connect the Yoshimura license plate light wires to the stock license plate light wires as follows:

Red -to- Red
Black/Yellow -to- Black

3. Install (No. 1) *12200-FEBKT*, license plate bracket onto (No. 4) *14900-FEBKT*, fender eliminator bracket using (No. 12) *M6X10BHS*, 6mm button head screws.

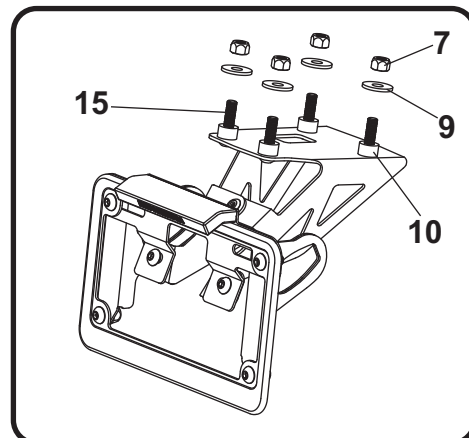


4. Using the stock hardware, install left and right turn signals onto (No. 2,3) *14200-TSL/R*, left and right turn signal brackets.
5. Install (No. 2,3) *14200-TSL/R*, left and right turn signal brackets and (No. 6) *070BG-LPF*, license plate frame using the (No. 13,14) *M6X16BHS* and *M6X14BHS*, 6mm button head screws as shown below.



6. Route license plate light and turn signal wires through the hole in (No. 4) *14900-FEBKT*, fender eliminator bracket and under passenger seat and re-connect.
7. Install (No. 4) *14900-FEBKT*, assembled fender eliminator to frame using (No. 15) *M6X25BHS*, 6mm button head screws, (No. 10) *6X12X7SPCR*, aluminum spacer, (No. 9) *6MMWASHERL*, 6mm large washer, and (No. 7) *6MMLN*, 6mm nylon lock nut.

Note: Aluminum spacers mount between the fender eliminator bracket and frame.



8. Re-install the upper rear seat cover.
9. Use the cable ties provided in the kit to secure license plate light and turn signal wires beneath passenger seat.
10. Re-install passenger seat.
11. Check for proper function of license plate light, turn signals, brake light, and that all brackets and components are secure prior to riding.