



# YOSHIMURA

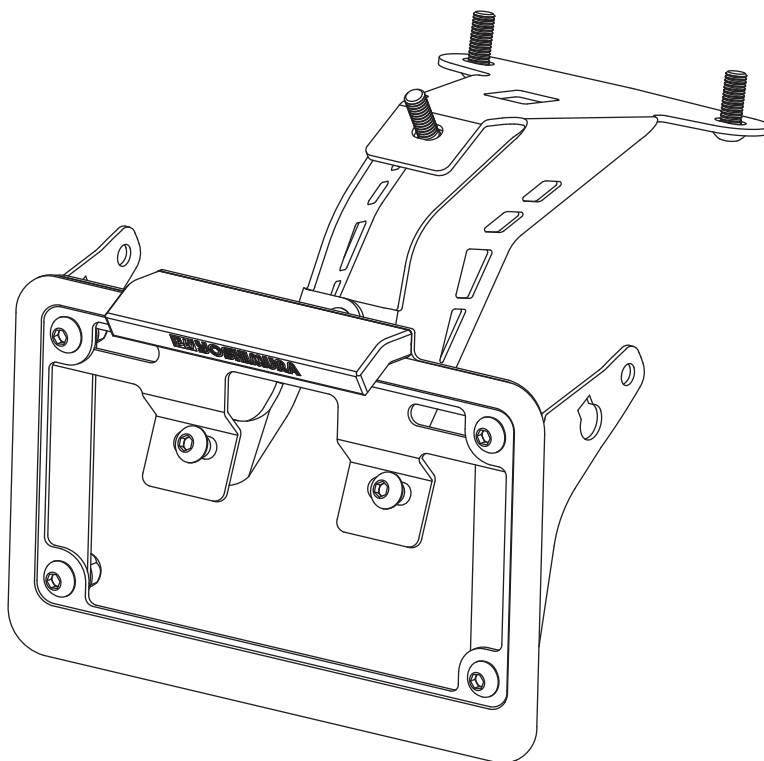
RESEARCH&DEVELOPMENT OF AMERICA, INC.

5420 DANIELS STREET STE A, CHINO CA., 91710 · (800) 634-9166 · (909) 628-4722 · FAX (909) 591-2198

[www.yoshimura-rd.com](http://www.yoshimura-rd.com)

## **FENDER ELIMINATOR KIT**

**070BG192500**  
**Aprilia RSV4RR/RF**  
**Tuono V4 1100 RR/Factory**

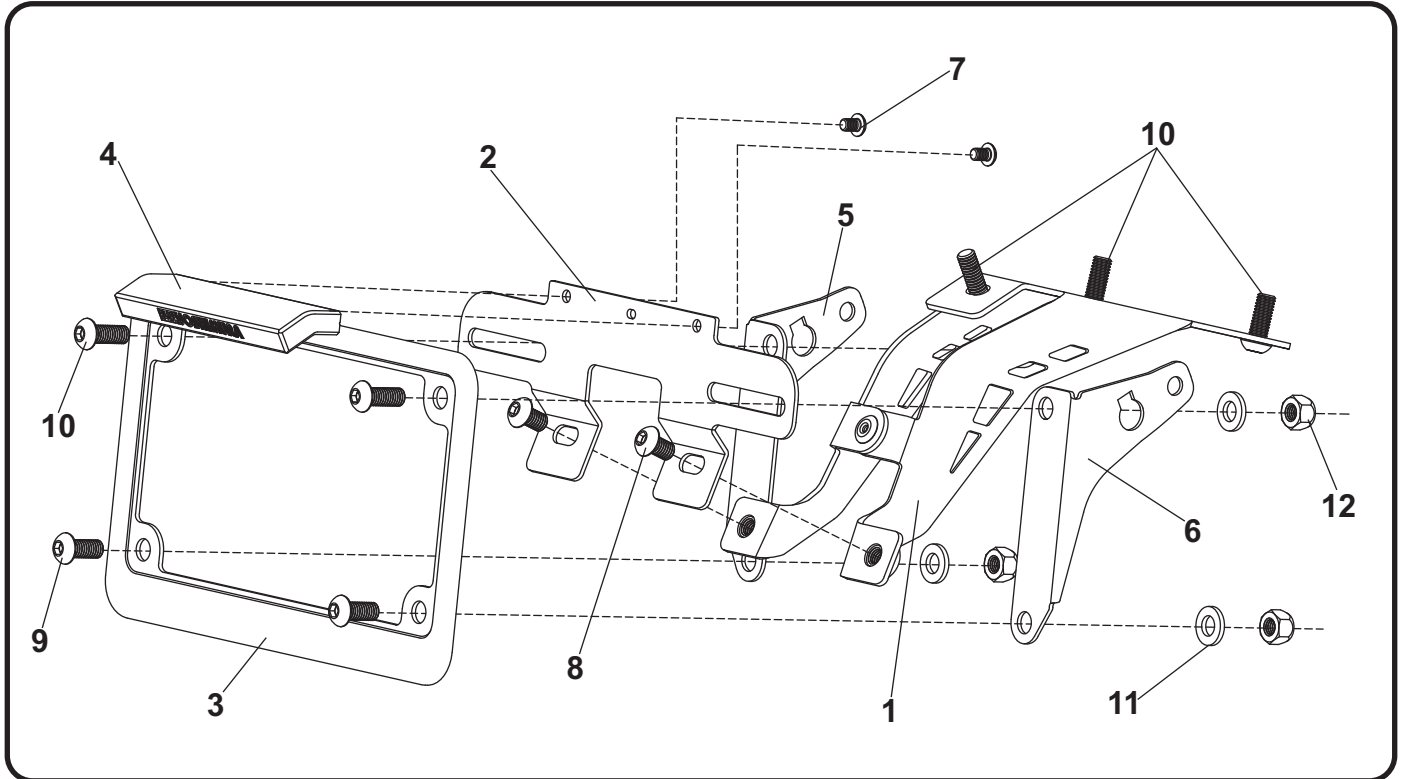


**THIS PRODUCT IS NOT DOT APPROVED.**

Yoshimura R&D of America, Inc. is not liable or responsible for any resulting event caused by the installation of this product. Check with local laws and regulations for compliance prior to installation and use. This product is not intended for use on public highways.



## Assembly Diagram

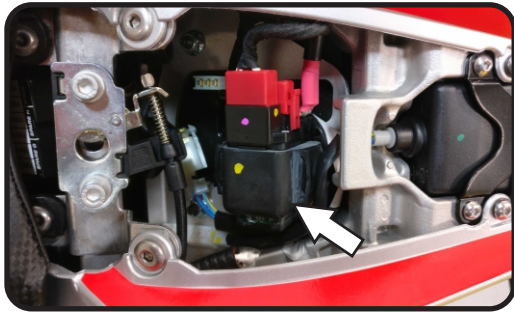


No.	Item	Description	Qty.
1	19250-FEBKT	Fender Eliminator Bracket	1
2	12200-FEBKT	License Plate Bracket	1
3	070BG-LPF	License Plate Frame	1
4	070BG-LH-K	LED Light	1
5	15200-TSB-L	Left Turn Signal Bracket	1
6	15200-TSB-R	Right Turn Signal Bracket	1
7	M4X6BHS	4mm X 6mm Button Head Screw	2
8	M6X10BHS	6mm x 10mm Button Head Screw	2
9	M6X14BHS	6mm x 14mm Button Head Screw	2
10	M6X16BHS	6mm x 16mm Button Head Screw	5
11	6MMWASHER	6mm Washer	4
12	6MMLN	6mm Nylon Lock Nut	4
**	17029	Yoshimura Sticker Kit	1
**	BN-SSS-22-18	Butt Connectors	2

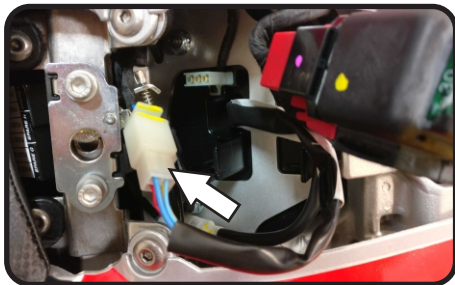
\*\*\* The Yoshimura Universal Turn Signal Bracket Kit is to be used with aftermarket stud-mounted turn signals and is sold separately.

## Removal

1. Remove passenger seat and remove relay from holder by pulling up.

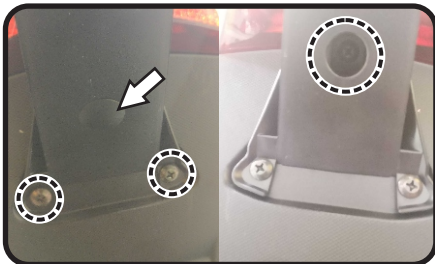


2. Locate and disconnect fender sub-harness connector.



3. While securely supporting the stock fender assembly, remove the three bolts securing the fender assembly to the frame from below. Carefully remove the stock fender assembly making sure not to damage the connectors in the process.

Note: Remove black fender plug to access the third bolt.



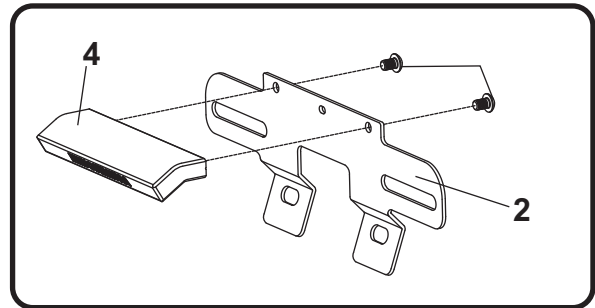
4. Disassemble the stock fender assembly and remove the left and right turn signals.

Note: It is required to remove the turn signal lens to remove from the stock fender assembly.

6. Cut the stock license plate light connector from the stock fender assembly. Cut wires 2-3" from the license plate light bulb.

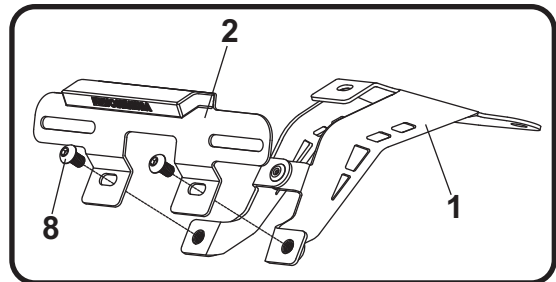
## Installation

1. Install (No. 4) *070BG-LH-K*, Yoshimura license plate light onto (No. 2) *12200-FEBKT*, Yoshimura fender eliminator bracket using (No. 7) *M4X6BHS*, 4mm button head screws provided in the kit.

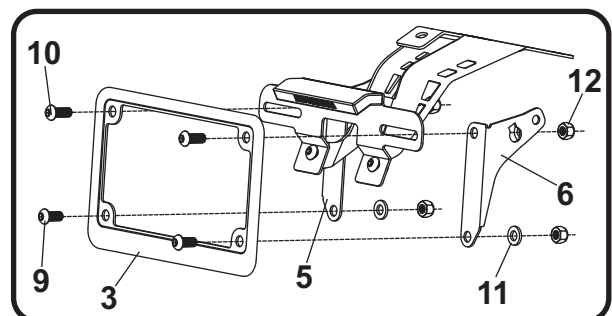


2. Install left and right turn signals onto (No. 5,6) *15200-TSB-L/R*, turn signal brackets. Route turn signal wires into turn signal and re-assemble.

3. Install (No. 2) *12200-FEBKT*, license plate bracket onto (No. 1) *19250-FEBKT*, fender eliminator bracket using (No. 8) *M6X10BHS*, 6mm button head screws.



4. Assemble and install (No. 3) *070BG-LPF*, license plate frame and (No. 5,6) *15200-TSB-L/R*, left and right turn signal brackets to (No. 2) *12200-FEBKT*, license plate bracket using (No. 9,10) 6mm button head screws, (No. 11) *6MMWASHER*, 6mm washers, and (No. 12) *6MMLN*, 6mm nylon lock nuts as shown below.



5. Connect the Yoshimura license plate light wires to the stock license plate light wires as follows:

Red -to- Yellow

Black -to- Blue

- a) Strip the stock fender light wire ends 1/4" - 1/2" and insert into *BN-SSS-22-18*, butt connectors provided in the kit.
- b) Center the spliced wire ends in the middle and using a heatgun or lighter, apply heat evenly on the outer edges of the butt connector to shrink and hold wires in place.
- c) Making sure that the stripped ends are centered, heat the center of the butt connector evenly until the solder begins to liquify.
- d) Allow to cool completely and tug both ends of the wires to verify that connection is secured.

Scan for link to butt connector instruction video.



6. Route fender sub-harness through hole in bracket and through undertail and install assembled fender eliminator bracket to subframe using (No. 10) *M6X16BHS*, 6mm button head screws and stock fender nuts.
7. Re-connect fender sub-harness connector and re-install passenger seat.
8. Check for proper function of license plate light, turn signals, brake light, and that all brackets and components are secure prior to riding.