



YOSHIMURA

RESEARCH&DEVELOPMENT OF AMERICA, INC.

5420 DANIELS STREET STE A, CHINO CA., 91710 · (800) 634-9166 · (909) 628-4722 · FAX (909) 591-2198

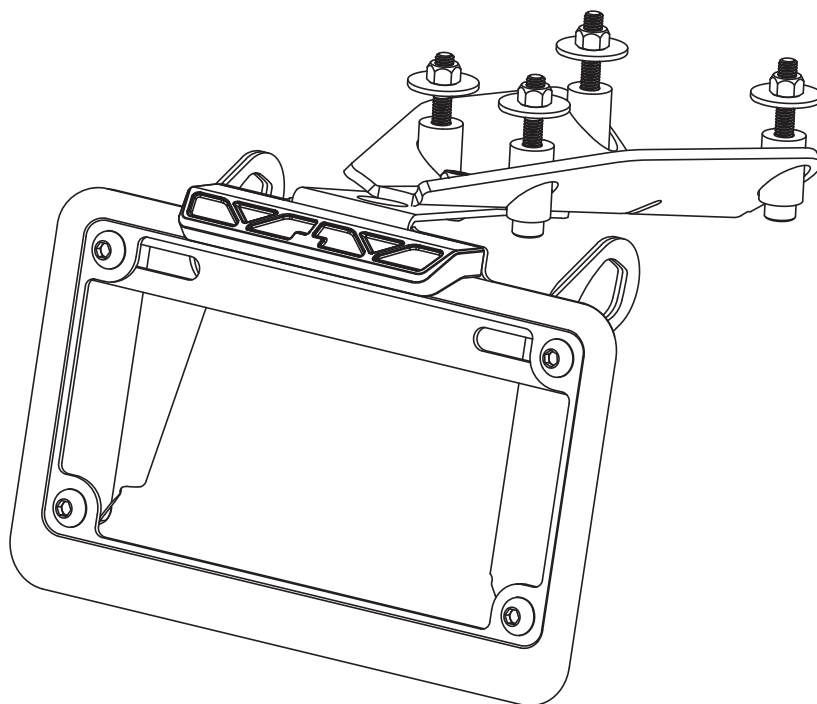
www.yoshimura-rd.com

FENDER ELIMINATOR KIT

070BG199590

Ducati

- 899 Panigale**
- 959 Panigale**
- 1199 Panigale**
- 1299 Panigale**

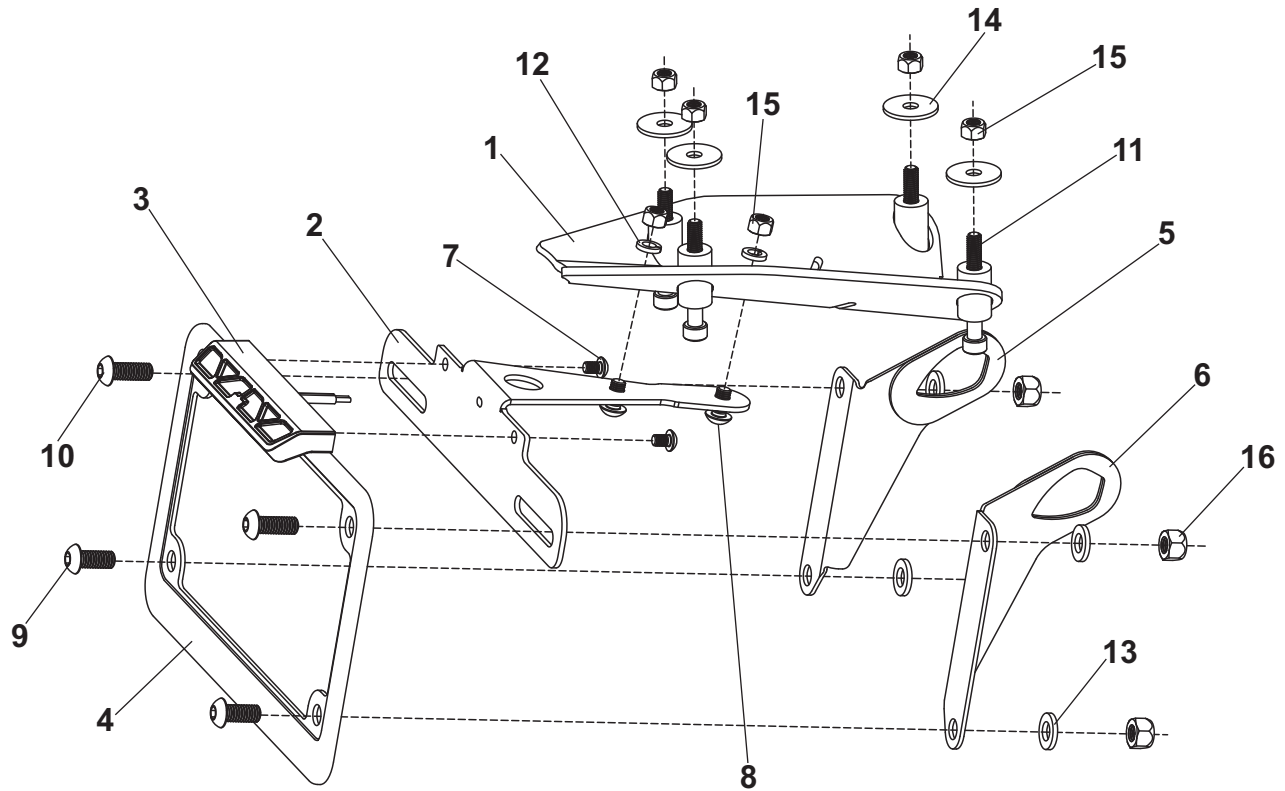


THIS PRODUCT IS NOT DOT APPROVED.

Yoshimura R&D of America, Inc. is not liable or responsible for any resulting event caused by the installation of this product. Check with local laws and regulations for compliance prior to installation and use. This product is not intended for use on public highways.



Assembly Diagram



No.	Item	Description	Qty.
1	19959-FEBKT-HS	Fender Eliminator Bracket Cover	1
2	19959-FEBKT	Fender Eliminator Bracket	1
3	070BG-LH-K1	LED Fender Eliminator Light	1
4	070BG-LPF	License Plate Frame	1
5	19959-TSB-L	Left Turn Signal Bracket	1
6	19959-TSB-R	Right Turn Signal Bracket	1
7	M4X6BHS	4mm x 6mm Button Head Screw	2
8	M5X10	5mm x 10mm Button Head Screw	2
9	M6X14BHS	6mm x 14mm Button Head Screw	2
10	M6X16BHS	6mm x 16mm Button Head Screw	2
11	M5X40	5mm x 40mm Socket Head Cap Bolt	4
12	5MM-LCKWSH	5mm Lock Washer	2
13	6MMWASHER	6mm Washer	4
14	5MMWASHER	5mm Washer	4
15	5MMLN-U	5mm Lock Nut	6
16	6MMLN	6mm Nylon Lock Nut	4
**	17029	Yoshimura Sticker Kit	1
**	BN-SSS-22-18	Butt Connectors	2
Optional Parts			
	072BGLTSFK	Yoshimura LED Front Turn Signal Kit	
	072BGLTSR	Yoshimura LED Rear Turn Signal Kit w/ Relay	
	070BGUNVTBKT	Universal Turn Signal Bracket Kit	

** Not shown on diagram.

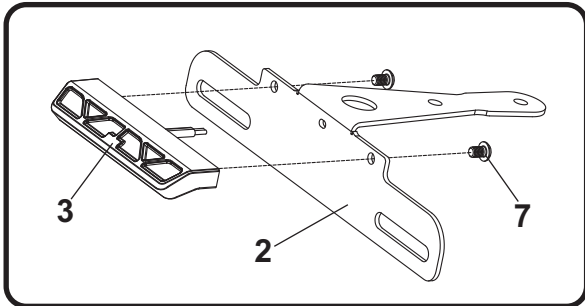
*** The Yoshimura Universal Turn Signal Bracket Kit is to be used with aftermarket stud-mounted turn signals and is sold separately.

Removal

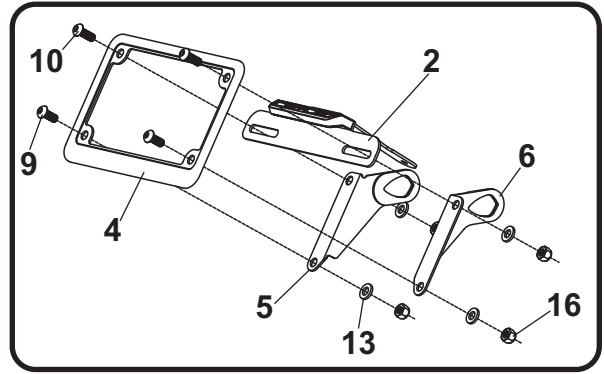
1. Remove passenger seat / cowl.
2. Remove the four bolts securing the stock fender assembly to frame.
3. Carefully pull the stock fender assembly down to access license plate light and turn signal connectors.
4. Disconnect license plate light and turn signal connectors and carefully remove the stock fender assembly making sure not to damage the connectors in the process.
5. Disassemble the stock fender assembly and remove the left and right turn signals.
6. Cut the stock license plate light wires from the stock fender assembly. Cut wires 2-3" from the license plate light bulb.

Installation

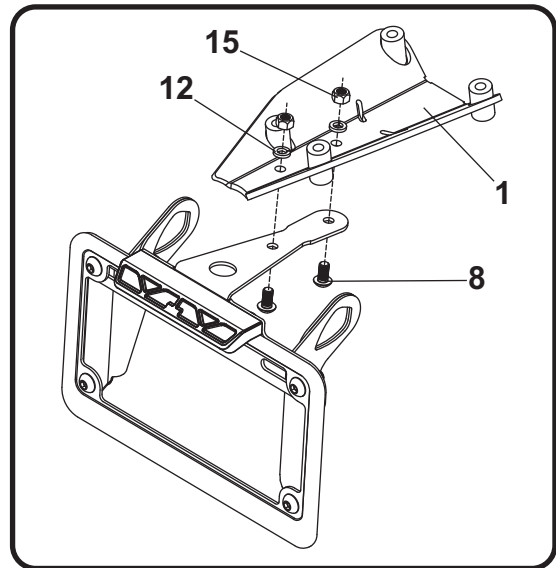
1. Install (No. 3) *070BG-LH-K1*, Yoshimura fender eliminator light onto (No. 2) *19959-FEBKT*, Yoshimura fender eliminator bracket using (No. 7) *M4X6BHS*, 4mm button head screws provided in the kit.



2. Install left and right turn signals onto (No. 5,6) *19959-TSB-L/R*, turn signal brackets.
3. Assemble and install (No. 4) *070BG-LPF*, license plate frame and (No. 5,6) *19959-TSB-L/R*, left and right turn signal brackets to (No. 2) *19959-FEBKT*, fender eliminator bracket using (No. 9,10) 6mm button head screws, (No. 13) *6MMWASHER*, 6mm washers, and (No. 16) *6MMLN*, 6mm nylon lock nuts as shown.



4. Install (No. 2) *19959-FEBKT*, assembled fender eliminator bracket to (No. 1) *19959-FEBKT-HS*, fender eliminator bracket cover using (No. 8) *M5X10*, 5mm screws, (No. 12) *5MM-LCKWSH*, 5mm lock washer, and (No. 15) *5MMLN-U*, 5mm lock nut as shown.



5. Connect the Yoshimura license plate light wires to the stock license plate light as follows:

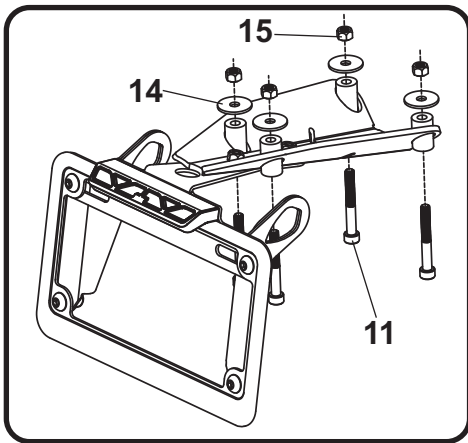
Red -to- Yellow
Black -to- Black

- a) Strip the stock fender light wire ends 1/4" - 1/2" and insert into *BN-SSS-22-18*, butt connectors provided in the kit.
- b) Center the spliced wire ends in the middle and using a heatgun or lighter, apply heat evenly on the outer edges of the butt connector to shrink and hold wires in place.
- c) Making sure that the stripped ends are centered, heat the center of the butt connector evenly until the solder begins to liquify.
- d) Allow to cool completely and tug both ends of the wires to verify that connection is secured.

Scan for link to butt connector instruction video.



6. Route license plate light and turn signal wires through hole in (No. 2) *19959-FEBKT*, fender eliminator bracket and re-connect connectors to wiring harness.
7. Install Yoshimura fender eliminator assembly to frame using (No. 11) *M5X40*, 5mm bolts, (No. 14) *5MMWASHER*, 5mm washer, and (No. 15) *5MMLN-U*, 5mm lock nut as shown.



8. Re-install passenger seat / cowl.
9. Check for proper function of license plate light, turn signals, brake light, and that all brackets and components are secure prior to riding.