



# STAND STOPPER KIT

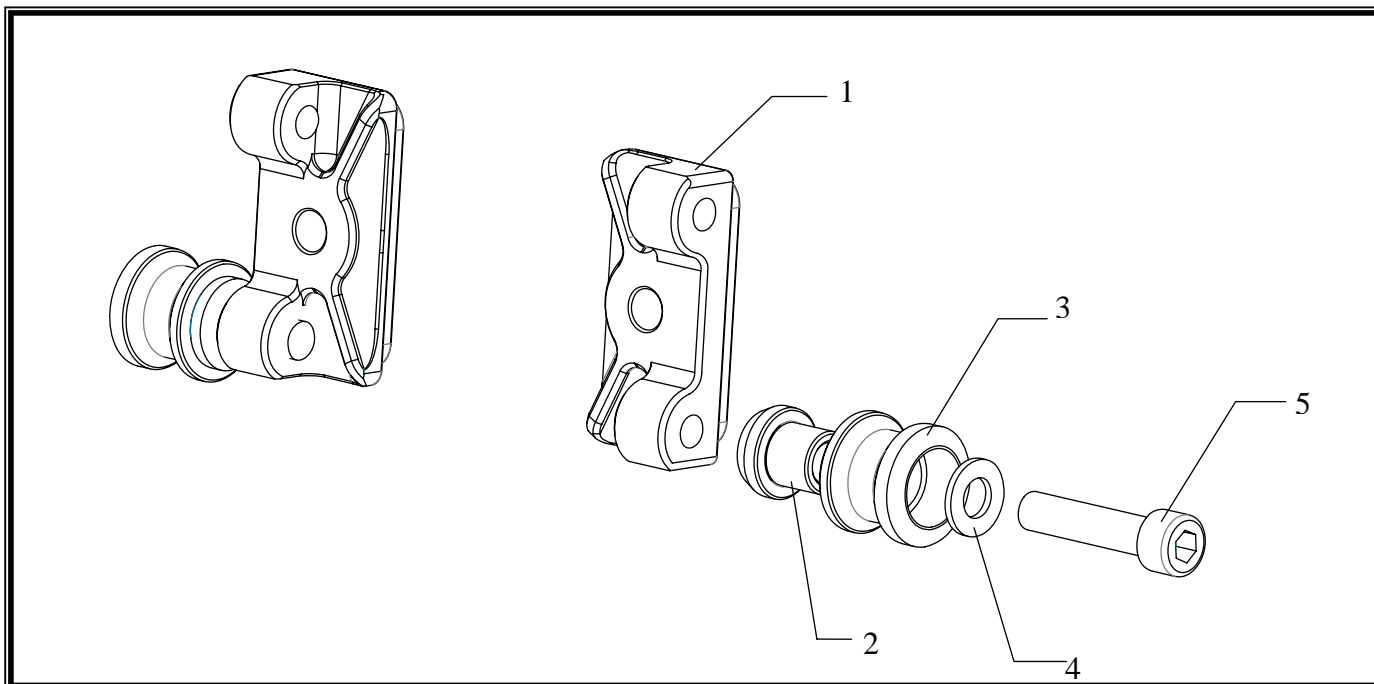
**APPLICATION**

YEAR	MODEL
2011-2013	Honda CBR250R

**PRODUCT**

080BG122500	2011 Honda CBR250R Stand Stopper Kit
-------------	--------------------------------------

**!** Read through all instructions before beginning installation. Motorcycle can be extremely hot. Let motorcycle cool down before beginning installation. Always wear hand and eye protection and take precautionary measures to avoid injury.



No.	Part #	Description	Qty
1	080BG122500P	Stand Stopper Bracket	2
2	R-K90K-SPCR	Rear Stand Spool Spacer	2
3	R-K90K-B	Rear Stand Stopper	2
4	8MMWASHER	8mm Washer	2
5	M8X35	8mm x 35mm Socket Head Cap Screw	2
**	17020C	Yoshimura Sticker Sheet	2

**-TOOLS REQUIRED-**

*Metric Socket Set • Combination Wrench Set • Torque Wrench • Metric Allen Wrench Set*

- 1. Remove the stock swingarm end cover by removing the locknut and the chain adjustment nut.**
- 2. Install Stand Stopper Bracket and re-install chain adjustment nut and locknut.**
- 3. Install Stand Stopper to Stand Stopper Bracket. See diagram for orientation. Torque bolts to 16.5 ft-lb (23 Nm, 2.3 kg-m).**