




# STAND STOPPER KIT

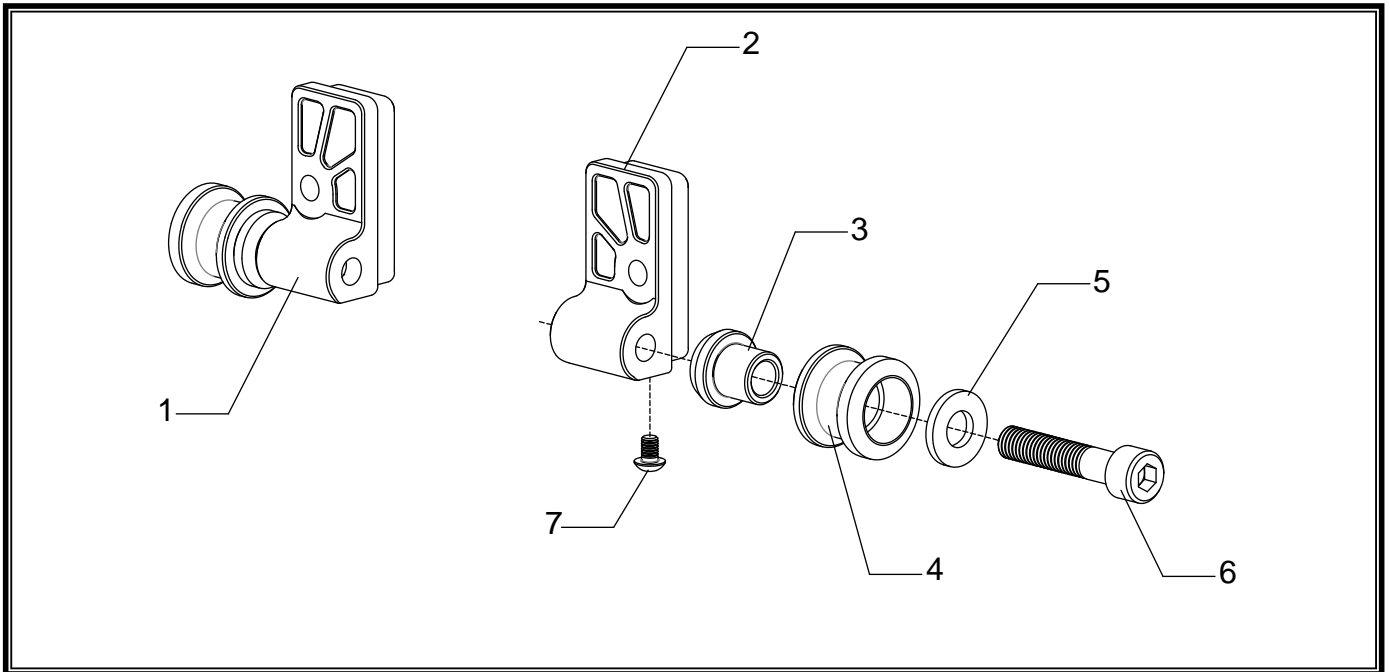
**APPLICATION**

<i>MAKE</i>	<i>MODEL</i>
Honda	Grom

**PRODUCT**

080HA121200	Honda Grom Stand Stopper Kit
-------------	------------------------------

 Read through all instructions before beginning installation. Motorcycle can be extremely hot. Let motorcycle cool down before beginning installation. Always wear hand and eye protection and take precautionary measures to avoid injury.

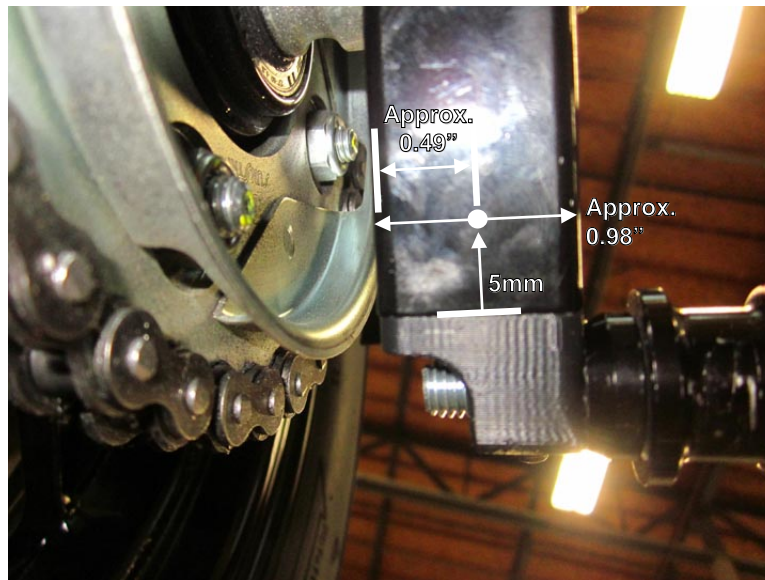


No.	Part #	Description	Qty
1	080HA121200L	Left Stand Stopper Bracket	1
2	080HA121200R	Right Stand Stopper Bracket	1
3	080HA8MMSPCR	Rear Stand Spool Spacer	2
4	080HA-B	Rear Stand Stopper	2
5	8MMWASHER	8mm Washer	2
6	M8X40	8mm x 40mm Socket Head Cap Screw	2
7	M4X6BHS	4mm x 6mm Button Head Cap Screw	2
**	17020C	Yoshimura Sticker Sheet	2

### *-TOOLS REQUIRED-*

*Metric Socket Set • Combination Wrench Set • Torque Wrench • Metric Allen Wrench Set  
Power Drill •  $\frac{3}{16}$ " Drill Bit • Ruler • Masking Tape • Spring Punch*

- 1. Remove the stock swingarm end cover by removing the locknut and the chain adjustment nut.**
- 2. It is required to drill a small hole in the stock swingarm to secure the Stand Stopper Brackets. Check measurements twice before drilling into swingarm.**
  - a) With the swingarm end cover removed, measure 5mm from the back edge of swing arm and mark using masking tape by creating a horizontal line.**
  - b) Measure the width of the swing arm (Approximately 0.98") and mark the center (Approximately 0.49") using masking tape by creating a vertical line.**
  - c) Using a spring punch, punch the center of the swingarm where the horizontal and vertical masking tape intersect.**
  - d) Carefully drill the bottom marked section of the swingarm using a  $\frac{3}{16}$ " drill bit.**
  - e) Insert Yoshimura Stand Stopper Bracket into swingarm and check to see that the hole lines up. Adjust hole size as necessary.**



- 3. Re-install chain adjustment nut and locknut.**
- 4. Install Stand Spools to Stand Stopper Bracket. See diagram for proper orientation and order of hardware. Torque bolts to 16.5 ft-lb (23 Nm, 2.3 kg-m).**
- 5. Repeat steps for opposite side.**
- 6. Install Yoshimura Stand Stopper Bracket and secure to swingarm using the provided (M4X6BHS) screw.**
- 7. After installation is complete, adjust chain tension as specified in the service/owners manual.**