



YOSHIMURA

RESEARCH&DEVELOPMENT OF AMERICA, INC.

5420 DANIELS STREET STE A, CHINO CA., 91786 · (800)634-9166 · (909)628-4722 · FACSIMILE (909)591-2198

www.yoshimura-rd.com

RS-3C OVAL PERFORMANCE EXHAUST SYSTEM

SUZUKI

01-03 GSX-R600

00-03 GSX-R750

01-04 GSX-R1000

11154552

RS-3C RACE BOLT-ON MUFFLER WITH STAINLESS STEEL



ACTUAL PRODUCT MAY VARY FROM IMAGES.



THIS PRODUCT IS DESIGNED FOR USE IN CLOSED COURSE RACING AND IS NOT INTENDED FOR HIGHWAY USE.



NOTE: IN THE STATE OF CALIFORNIA, IT IS ILLEGAL TO MODIFY THE EMISSION CONTROL SYSTEM. WHICH INCLUDES THE CARBURETORS OF ANY VEHICLE.

Caution: Exhaust system can be extremely hot. Let motorcycle cool down before beginning installation.

Note: Read through all instructions before beginning installation.

Tools Needed:

12mm socket
3/8" ratchet and extension
12mm and 14mm wrench
Torque wrench

Installation Steps:

- 1 Remove stock muffler and gasket. (See Fig.1)
- 2 Loosen tailpipe bolt at chassis mount (See Fig.1)
- 3 Install new muffler gasket.
(Not supplied - Suzuki part no. 14181-02F00)
- 4 Install Yoshimura muffler using supplied bolts.
Torque bolts to 2.5 kg-m (18 lb-ft).
- 5 Apply heat insulator to inside of muffler clamp and slide clamp onto muffler.
(note direction of clamp in Fig. 3)
- 6 Mount clamp to inside of stock muffler bracket using stock bolt, washer, and nut. (see Fig. 3)
Torque bolt to 2.3 kg-m (16 lb-ft)
- 7 Tighten tailpipe bolt at chassis mount.
Torque bolt to 2.5 kg-m (18 lb-ft)
- 8 Before starting the motorcycle, check for proper clearance between new muffler and motorcycle. (i.e. swing-arm, passenger foot-peg, rear wheel, etc.) If any problem is found, please carefully follow through the installation steps again. If problem still persists, please call Yoshimura tech. Dept. at (800)634-9166 / in CA (909)628-4722.

Note: After starting motorcycle, it is normal for new muffler to emit smoke until oil residue burns off.

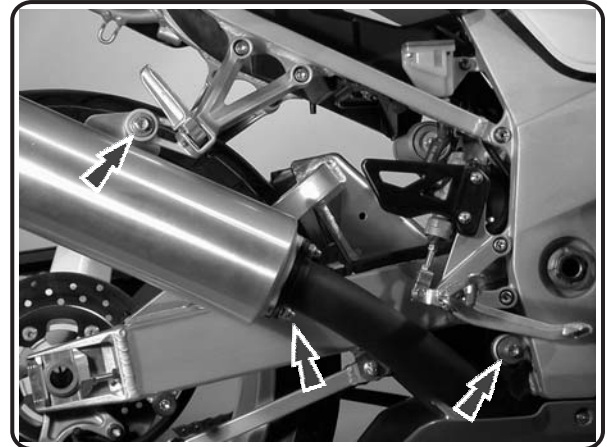


Fig. 1

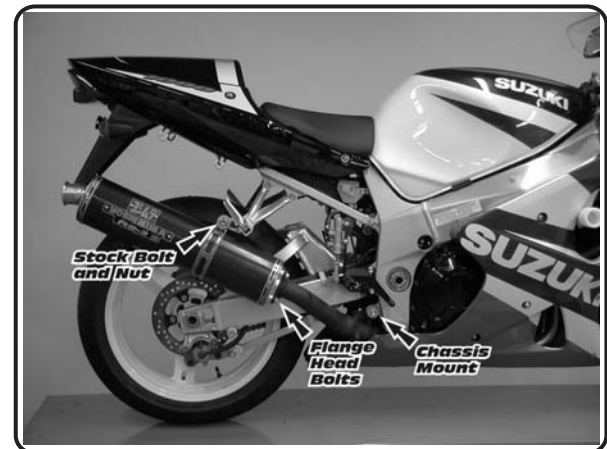


Fig. 2

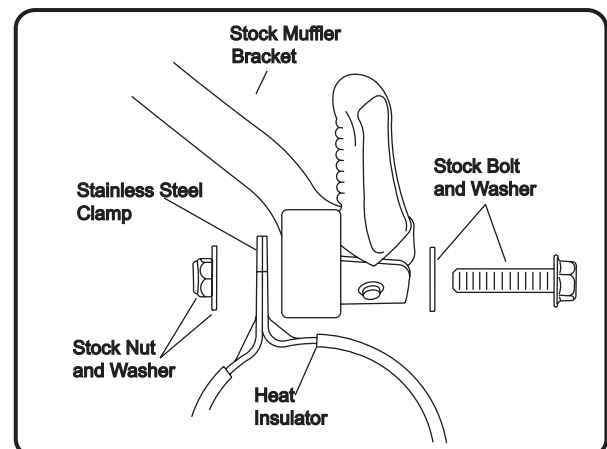
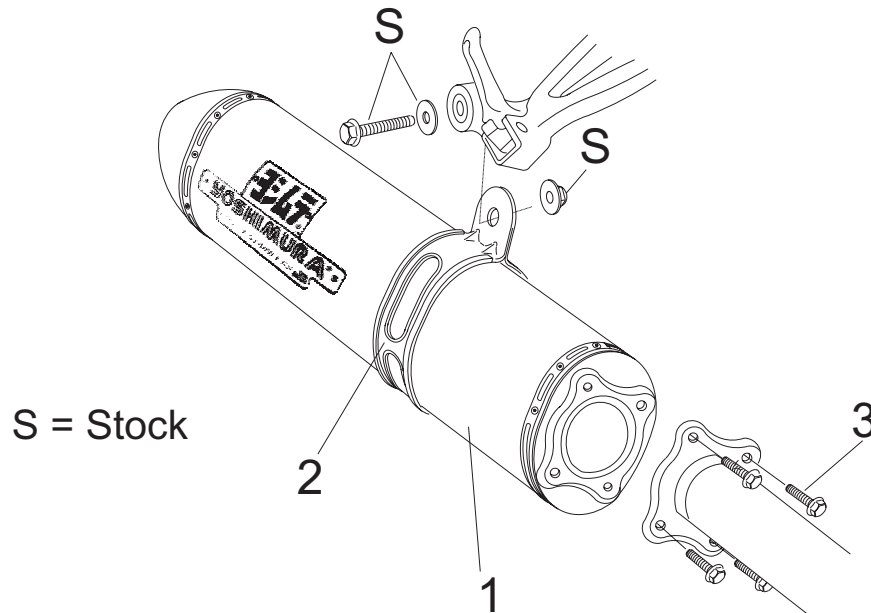


Fig. 3

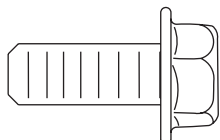
#11154552



Parts Diagram

| NO. | DESCRIPTION | QTY | PART # |
|-----|---|-----|-------------|
| 1 | RS-3C Oval Muffler Assembly | 1 | ** |
| 2 | RS-3C Stainless Steel Muffler Clamp Stainless Steel Sleeve use | 1 | COS450S8ASX |
| 3 | 8mm x 20mm Flange Hex Bolt | 4 | M8X20H |
| ** | Low Volume Sound Insert | 1 | INS-15-K |
| ** | Muffler Clamp Heat Insulator | 1 | HT SHLDTRS |
| ** | Yoshimura Vinyl Sticker | 1 | 17029 |

Nuts and Bolts Guide (Actual Size):



8mm x 20mm
Flange Hex Bolt