



YOSHIMURA

RESEARCH&DEVELOPMENT OF AMERICA, INC.

5420 DANIELS STREET STE A, CHINO CA., 91710 · (800)634-9166 · (909)628-4722 · FACSIMILE (909)591-2198

www.yoshimura-rd.com

YOSHIMURA PERFORMANCE EXHAUST SYSTEM

SUZUKI

2007-2008

1117365

STAINLESS STEEL SLIP-ON SYSTEM WITH STAINLESS STEEL SLEEVE

GSX-R1000



ACTUAL PRODUCT MAY DIFFER FROM IMAGE.



THIS PRODUCT IS DESIGNED FOR USE IN CLOSED COURSE RACING AND IS NOT INTENDED FOR HIGHWAY USE.



NOTE: IN THE STATE OF CALIFORNIA, IT IS ILLEGAL TO MODIFY THE EMISSION CONTROL SYSTEM, WHICH INCLUDES THE FUEL INJECTION OF ANY VEHICLE.

Caution: Exhaust system can be extremely hot. Let motorcycle cool down before beginning installation.

Note: Read through all instructions before beginning installation.

Tools Needed:

Metric Socket Set
Ratchet and Extension
Metric Combination Wrench Set
Metric Allen Wrench Set
Torque Wrench

Installation Steps:

- 1 Remove stock right side tailpipe heatshield (see Fig. 1).
- 2 Loosen left and right stock collector clamps (see Fig. 2 and 3).
- 3 Unbolt and remove left and right stock mufflers from passenger foot rest mounts.
- 4 Remove left and right fairings.
- 5 Remove Stock O2 sensor. Remove stock underbelly muffler and stock underbelly mounting brackets.
- 6 Install rubber heat insulator to inside of Yoshimura muffler clamp and slide muffler clamp over Yoshimura muffler.
- 7 Slide exhaust collector clamp over the inlet of the Yoshimura tailpipe and install Yoshimura tailpipe and muffler onto the stock header. Install stock O2 sensor into Yoshimura Tailpipe.
- 8 Bolt muffler to the right stock muffler mount location using stock muffler mount hardware.
- 9 Bolt tailpipe to chassis mount using the stock bolt and supplied washer and nut (see Parts Diagram on the last page).
- 10 Torque muffler and chassis mount bolts to 2.3 kgf-m (16.5 lb-ft).
- 11 Torque exhaust collector clamp to 1.25 kgf-m (14 lb-ft).
- 12 It is recommended that the muffler and tailpipe be wiped down with rubbing alcohol to remove oil and fingerprints. This will help prevent tarnishing of the finish after the exhaust is heated up.
- 13 Reinstall the left and right side fairings.
- 14 Check for proper clearance between new exhaust system and motorcycle. (i.e. Swing-arm, body work, etc.) If any problem is found, please carefully follow through the installation steps again. If problem still persists, please call Yoshimura technical department at (800)634-9166 / in CA (909)628-4722.

Note: After starting motorcycle, it is normal for new exhaust system and muffler to smoke until oil residue burns off.

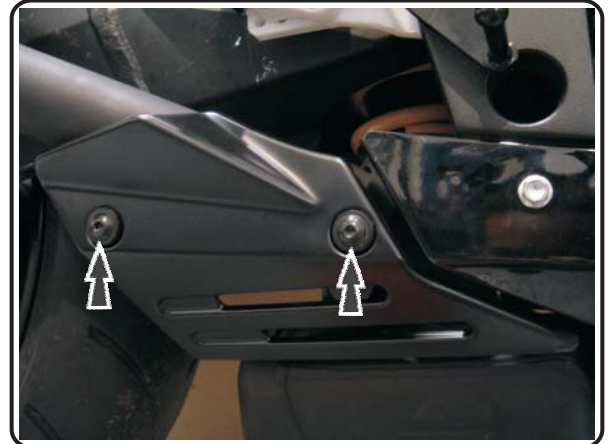


Fig. 1



Fig. 2

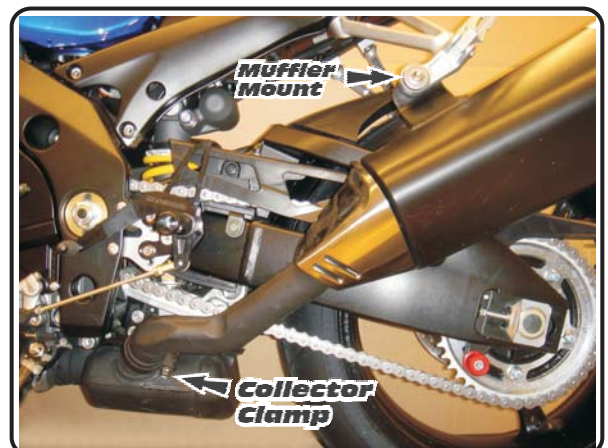
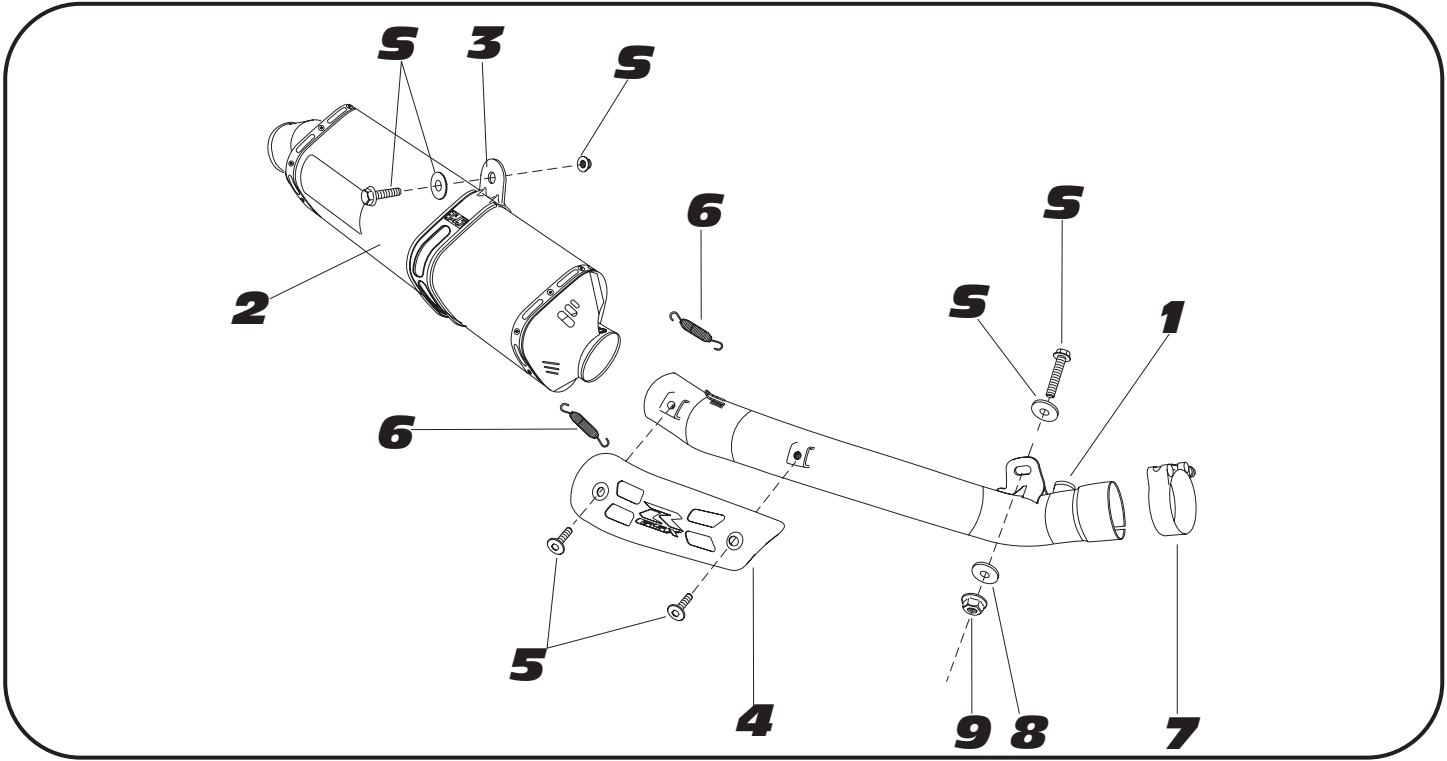


Fig. 3

#1117365



Parts Diagram

NO.	DESCRIPTION	QTY	PART #
1	Yoshimura Tailpipe	1	1117-435
2	Yoshimura TRS Muffler with Stainless Steel Sleeve	1	SRTRS146W
3	Stainless Steel Muffler Clamp Stainless Steel or Titanium Sleeve use	1	CTS816X
4	Yoshimura Heatshield	1	1117-HSR
5	Heatshield Mounting Bolts	2	RC116HSB
6	Medium Race Spring	2	RACE-SPS-1
7	Exhaust Collector Clamp	1	20067
8	Large Washer	1	8MMWASHERL
9	8mm Nut	1	8MMNUT
**	Muffler Clamp Heat Insulator	1	HT SHLDTRS
**	Spring Puller Tool	1	ST-200
**	Yoshimura Vinyl Sticker	1	17029