



YOSHIMURA

RESEARCH&DEVELOPMENT OF AMERICA, INC.

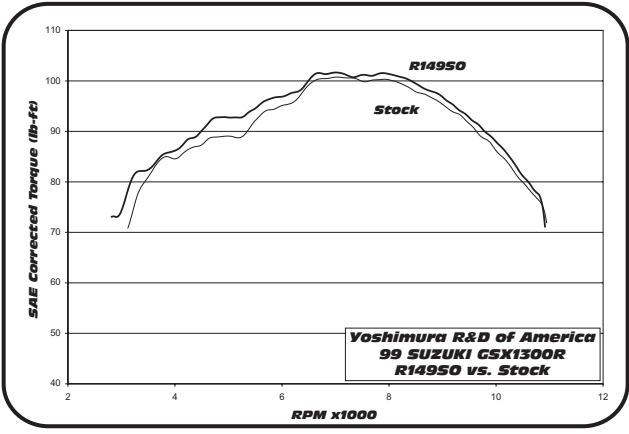
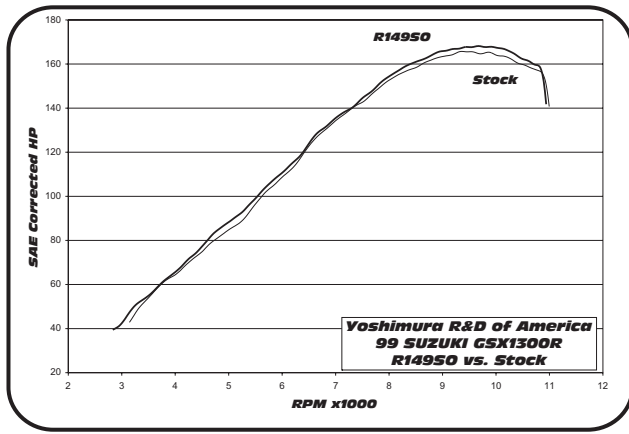
5420 DANIELS STREET STE A, CHINO CA., 91786 · (800)634-9166 · (909)628-4722 · FACSIMILE (909)591-2198

www.yoshimura-rd.com

RS-3C OVAL PERFORMANCE EXHAUST SYSTEM

SUZUKI
'99-06
GSX1300R

11202552 RS3C Stainless Steel Slip-on System



Note: Dyno graphs are for comparison use only. Actual results may vary depending on operating and motorcycle condition.



ACTUAL PRODUCT MAY VARY FROM IMAGES.



THIS PRODUCT IS DESIGNED FOR USE IN CLOSED COURSE RACING AND IS NOT INTENDED FOR HIGHWAY USE.



NOTE: IN THE STATE OF CALIFORNIA, IT IS ILLEGAL TO MODIFY THE EMISSION CONTROL SYSTEM. WHICH INCLUDES THE FUEL INJECTION OF ANY VEHICLE.

Caution: Exhaust system can be extremely hot. Let motorcycle cool down before beginning installation.

Note: Read through all instructions before beginning installation.

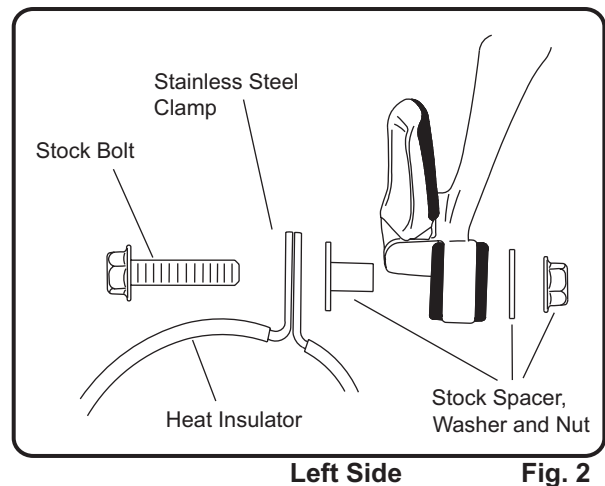
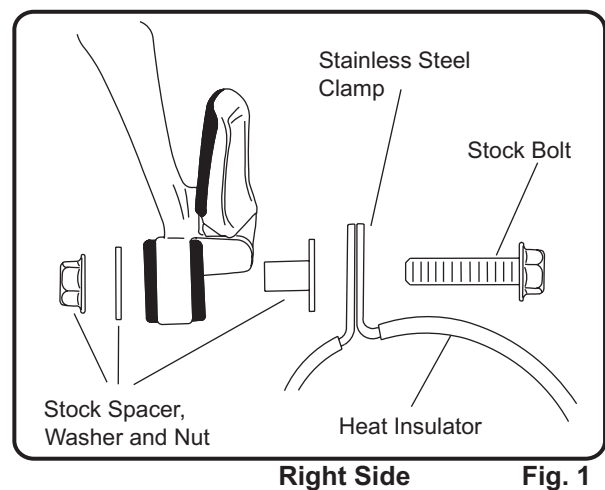
Tools Needed:

- 12mm socket
- 3/8" ratchet
- 12mm and 14mm wrenches
- Torque wrench

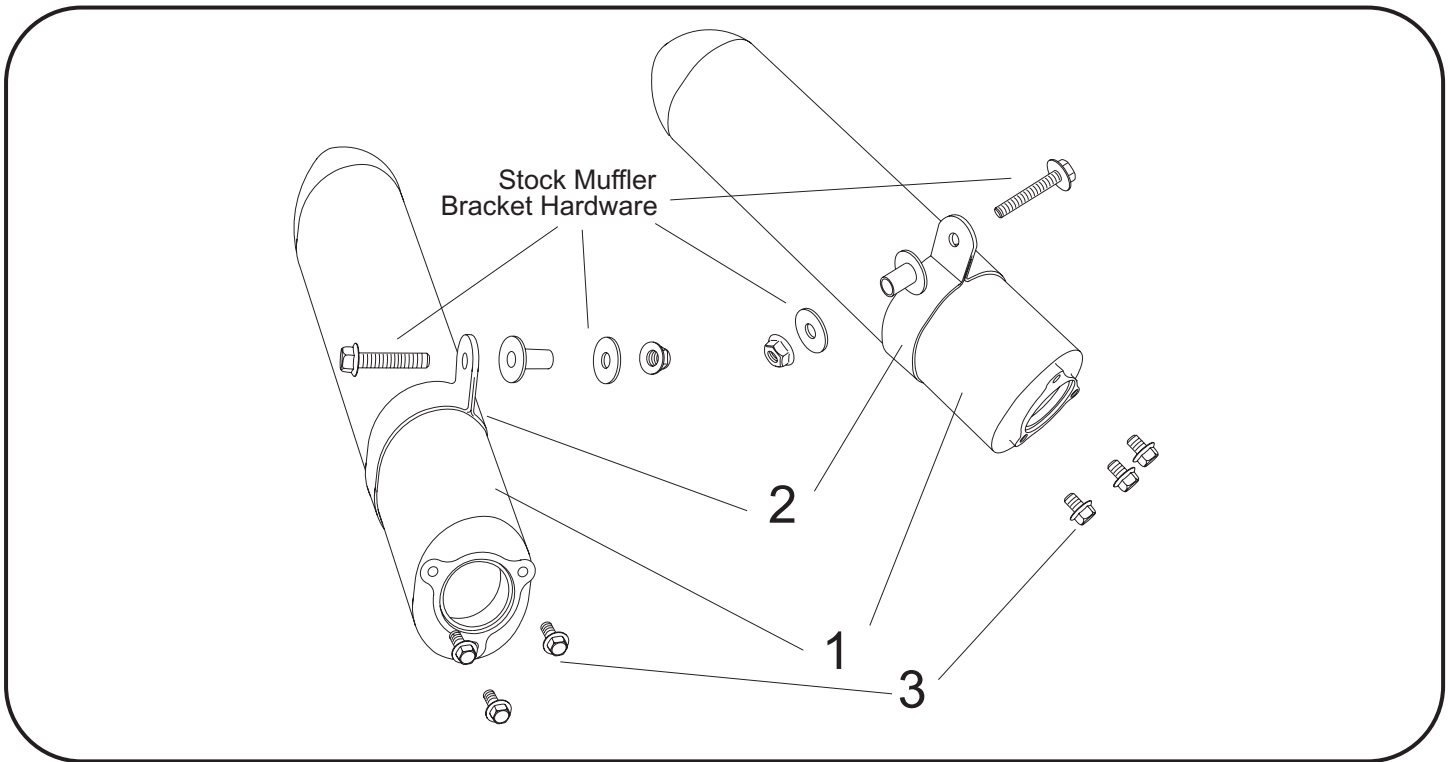
Installation Steps:

- 1 Remove stock mufflers and muffler gaskets.
- 2 Install new muffler gaskets.
(Not supplied - Suzuki part no. 14181-33E00)
- 3 Install Yoshimura mufflers using supplied bolts.
Torque bolts to 2.3 kg-m (16.5 lb-ft).
- 4 Apply heat insulator to inside of muffler clamps and slide clamps onto mufflers.
(note direction of clamp in Fig. 1&2)
- 5 Mount clamps to stock muffler brackets using supplied bolts, washers, and nuts. (Fig. 1&2)
Torque bolt to 2.5 kg-m (18 lb-ft).
- 6 Check for proper clearance between new muffler and motorcycle. (i.e. swing-arm, passenger foot-peg, rear wheel, etc.) If any problem is found, please carefully follow through the installation steps again. If a problem still persists, please call Yoshimura technical department at (800)634-9166 / in California (909)628-4722

Note: After starting motorcycle, it is normal for new exhaust system and muffler to emit smoke until oil residue burns off.



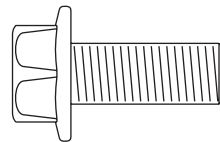
#11202552



Parts Diagram

NO.	DESCRIPTION	QTY	PART #
1	RS-3C Oval Muffler Assembly	2	**
2	Stainless Steel Muffler Clamp Stainless Steel Sleeve uses	2	COS450S8ASX
3	8mm x 20mm Flange Hex Bolt	6	M8X20H
**	Muffler Clamp Heat Insulator	2	HT SHLD TRS
**	Instruction Manual	1	INST KIT
**	Yoshimura Vinyl Sticker	1	17029

Nuts and Bolts Guide (Actual Size):



8mm x 20mm
Flange Hex Bolt