



YOSHIMURA

RESEARCH&DEVELOPMENT OF AMERICA, INC.

5420 DANIELS STREET STE A, CHINO CA., 91710 · (800)634-9166 · (909)628-4722 · FACSIMILE (909)591-2198

www.yoshimura-rd.com

RS3C YOSHIMURA PERFORMANCE EXHAUST

**SUZUKI
GSX1300R
HAYABUSA**

11212522	STAINLESS STEEL RS-3C SLIP-ON SYSTEM WITH CARBON FIBER SLEEVE
11212552	STAINLESS STEEL RS-3C SLIP-ON SYSTEM WITH STAINLESS STEEL SLEEVE
11212572	STAINLESS STEEL RS-3C SLIP-ON SYSTEM WITH TITANIUM SLEEVE



ACTUAL PRODUCT MAY VARY FROM IMAGES.



THIS PRODUCT IS DESIGNED FOR USE IN CLOSED COURSE RACING AND IS NOT INTENDED FOR HIGHWAY USE.



NOTE: IN THE STATE OF CALIFORNIA, IT IS ILLEGAL TO MODIFY THE EMISSION CONTROL SYSTEM, WHICH INCLUDES THE FUEL INJECTION OF ANY VEHICLE.

Caution: Exhaust system can be extremely hot. Let motorcycle cool down before beginning installation.

Note: Read through all instructions before beginning installation.

Tools Needed:

Metric Socket Set
Ratchet and Extension
Metric Combination Wrench Set
Metric Allen Wrench Set
Torque Wrench

Installation Steps:

- 1 Remove stock mufflers, stock tailpipes, and stock exhaust gaskets.

NOTE: Stock exhaust gaskets will not be used between the stock header and the Yoshimura tailpipes.

- 2 Install rubber heat insulators to inside of Yoshimura muffler clamps.
- 3 Slide the muffler clamps onto the left and right mufflers.

NOTE: The muffler clamps are offset. The ears on the clamps should be offset toward the passenger footrests when sliding them over the left and right mufflers. See Fig. 1 for muffler clamp orientation.

- 4 Slide exhaust collector clamps over the inlets of the Yoshimura tailpipes and install Yoshimura tailpipes and mufflers onto the stock headers.
- 5 Bolt mufflers to the stock muffler mount locations using stock muffler mount hardware (see Fig. 1).
- 6 Torque muffler mount bolts to 2.3 kgf-m (16.5 lb-ft).

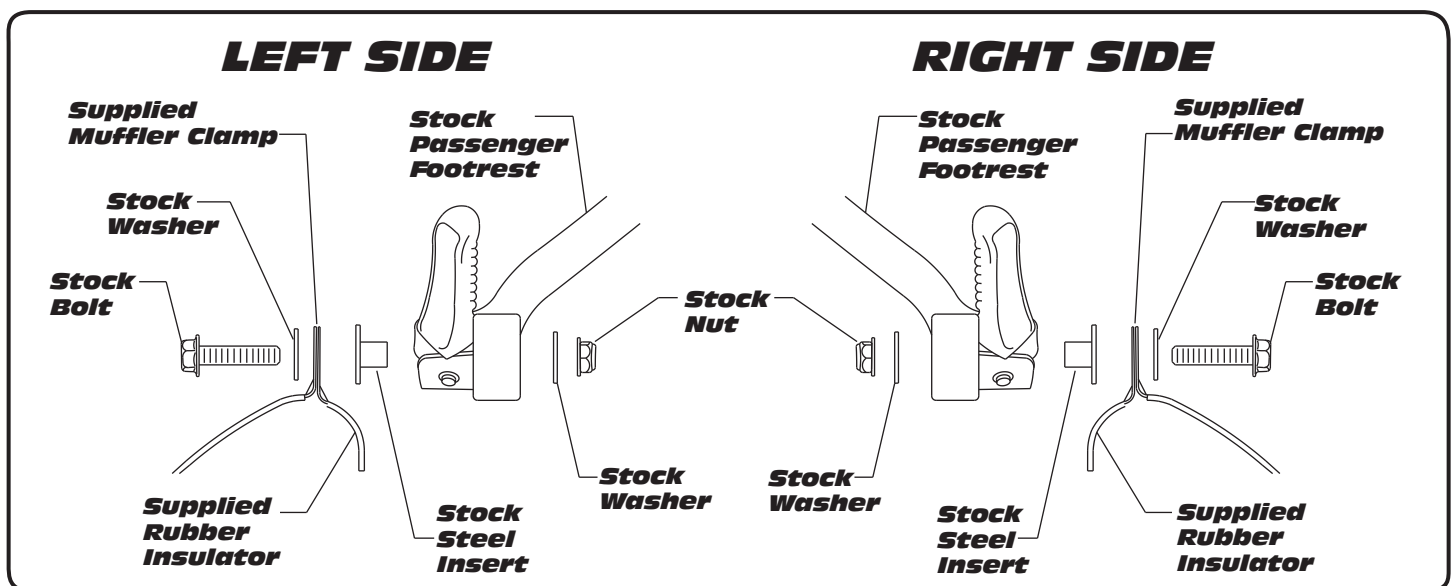


Fig. 1

- 7 Standing at the back of the motorcycle, check for proper alignment of the muffler. Adjust if necessary.

NOTE: To adjust fitment, it may be necessary to rotate the tailpipe or the muffler independently until proper alignment of the muffler is achieved. You will be installing a securing rivet into each tailpipe to prevent the tailpipe from rotating while the motorcycle is in operation.

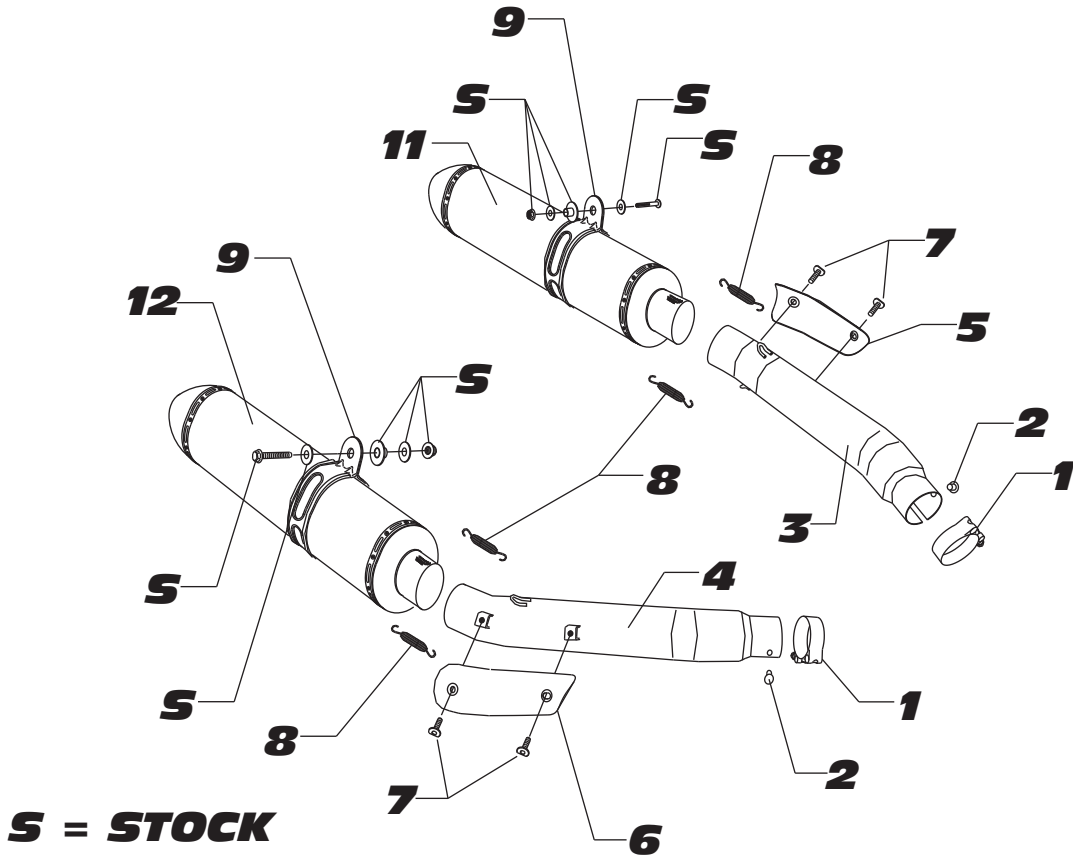
- 8 Drill a 13/64" hole thru the securing hole of each tailpipe and into the stock header using the securing hole as a guide.

CAUTION: Always wear eye protection when using any power tools.

- 9 Insert one securing rivet into each drilled hole, slide supplied stainless steel collector clamp over rivet and torque clamp to 1.25 kg-m (9 lb-ft).
- 10 It is recommended that the muffler and tailpipe be wiped down with rubbing alcohol to remove oil and fingerprints. This will help prevent tarnishing of the finish after the exhaust is heated up.
- 11 Check for proper clearance between new exhaust system and motorcycle. (i.e. Swing-arm, body work, etc.) If any problem is found, please carefully follow through the installation steps again. If problem still persists, please call Yoshimura technical department at (800)634-9166 / in CA (909)628-4722.

Note: After starting motorcycle, it is normal for new exhaust system and muffler to smoke until oil residue burns off.

PN: 11212522, 11212552, 11212572



Parts Diagram

NO.	DESCRIPTION	QTY	PART #
1	Exhaust Collector Clamp	2	22057
2	Collector Rivet	2	S-RIVET
3	Yoshimura Tailpipe (Left)	1	1121-426
4	Yoshimura Tailpipe (Right)	1	1121-427
5	Yoshimura Tailpipe Heatshield (Left)	1	1121-HSL
6	Yoshimura Tailpipe Heatshield (Right)	1	1121-HSR
7	Heatshield Mounting Bolts	4	RC116HSB
8	Medium Race Spring	4	RACE-SPS-1
9	Stainless Steel Muffler Clamp (Left) with Stainless Steel Sleeve with Carbon Fiber or Titanium Sleeve	2	COS450S8ALX COS450S8ALX
11	Yoshimura Muffler (Left) Carbon Fiber Muffler Stainless Steel Muffler Titanium Muffler	1	** CRRS3186W2L SRRS3186W2L TRRS3186W2L
12	Yoshimura Muffler (Right) Carbon Fiber Muffler Stainless Steel Muffler Titanium Muffler	1	** CRRS3186W2 SRRS3186W2 TRRS3186W2
**	Low Volume Insert Kit	2	INS-15-K
**	Muffler Clamp Heat Insulator	2	HT SHLDTRS
**	Spring Puller Tool	1	ST-200
**	Yoshimura Vinyl Sticker	1	17029