



YOSHIMURA

RESEARCH&DEVELOPMENT OF AMERICA, INC.

5420 DANIELS STREET STE A, CHINO CA., 91710 · (800) 634-9166 · (909) 628-4722 · FAX (909) 591-2198

www.yoshimura-rd.com

Street Series

Qualified Manufacturer Declared "Replacement Part"

2008~2016

Suzuki GSX1300R Hayabusa

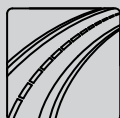
1121272 TRC (CF/CF)

1121262 TRS (CF/CF)

1121275 TRC (SS/CF)

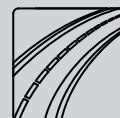
1121265 TRS (SS/CF)

TRS / TRC Stainless Steel Slip-On



All Street Series systems are:

- Slip-on/Bolt-on applications that do not require tampering with the vehicle's emissions control system.
- CARB/EPA tail-pipe emissions compliant.
- Marked with appropriate EPA noise labels.
- Not tested for EPA new vehicle noise compliance.



You must know how to remove and replace your stock exhaust in order to install this product otherwise have it installed by a professional mechanic. Keep all stock parts from your existing system as some components may be necessary to install your new Yoshimura exhaust depending on the application. Read through all instructions before beginning installation. Exhaust system can be extremely hot. Let motorcycle cool down before beginning installation. Always wear hand and eye protection and take precautionary measures to avoid injury.



NOTE: IN THE STATE OF CALIFORNIA, IT IS ILLEGAL TO MODIFY THE EMISSION CONTROL SYSTEM, WHICH INCLUDES THE CARBURETORS OF ANY VEHICLE.

Caution: Exhaust system can be extremely hot. Let motorcycle cool down before beginning installation.

Note: Read through all instructions before beginning installation.

Tools Needed:

Metric Socket Set
Ratchet and Extension
Metric Combination Wrench Set
Metric Allen Wrench Set
Torque Wrench

Installation Steps:

1 Remove stock mufflers, stock tailpipes, and stock exhaust gaskets.

NOTE: Stock exhaust gaskets will not be used between the stock header and the Yoshimura tailpipes.

2 Install rubber heat insulators to inside of Yoshimura muffler clamps.

3 Slide the CTS082(X) muffler clamp onto the left muffler and slide the CTS081(X) muffler clamp onto the right muffler (see Fig. 1).

NOTE: The part numbers are stamped onto the muffler clamps. The LEFT and RIGHT muffler clamps are NOT the same.

4 Slide exhaust collector clamps over the inlets of the Yoshimura tailpipes and install Yoshimura tailpipes and mufflers onto the stock headers.

5 Bolt mufflers to the stock muffler mount locations using stock muffler mount hardware (see Fig. 1).

6 Torque muffler mount bolts to 2.3 kgf-m (16.5 lb-ft).

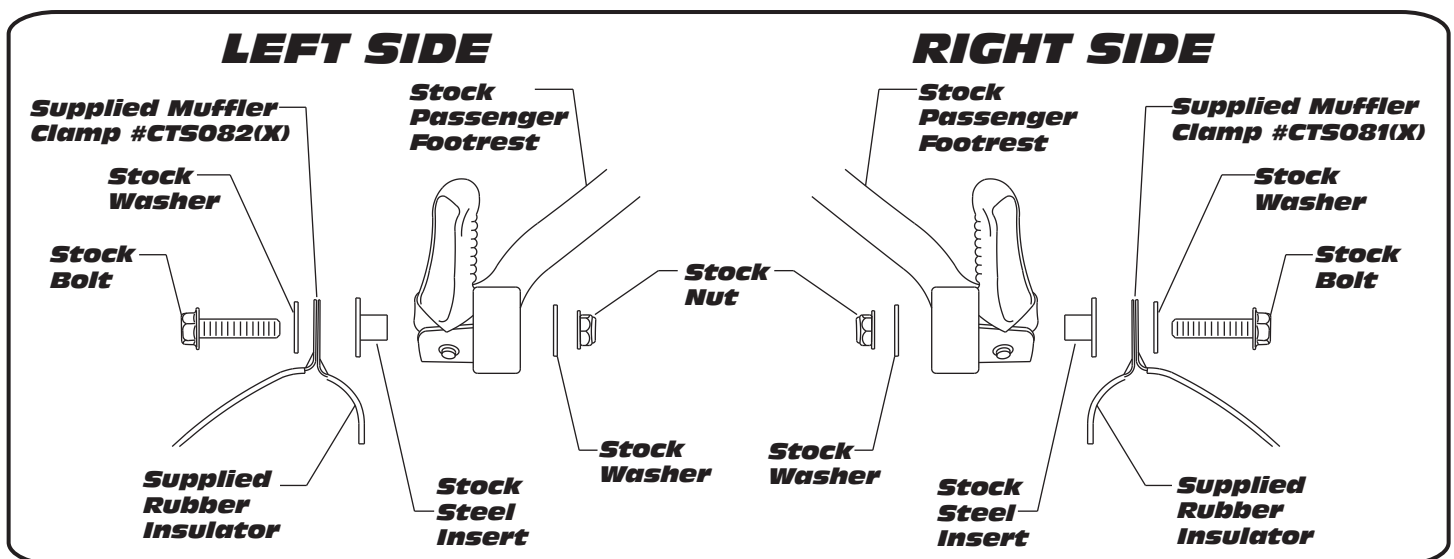


Fig. 1

- 7 Standing at the back of the motorcycle, check for proper alignment of the muffler. Adjust if necessary.

NOTE: To adjust fitment, it may be necessary to rotate the tailpipe or the muffler independently until proper alignment of the muffler is achieved. You will be installing a securing rivet into each tailpipe to prevent the tailpipe from rotating while the motorcycle is in operation.

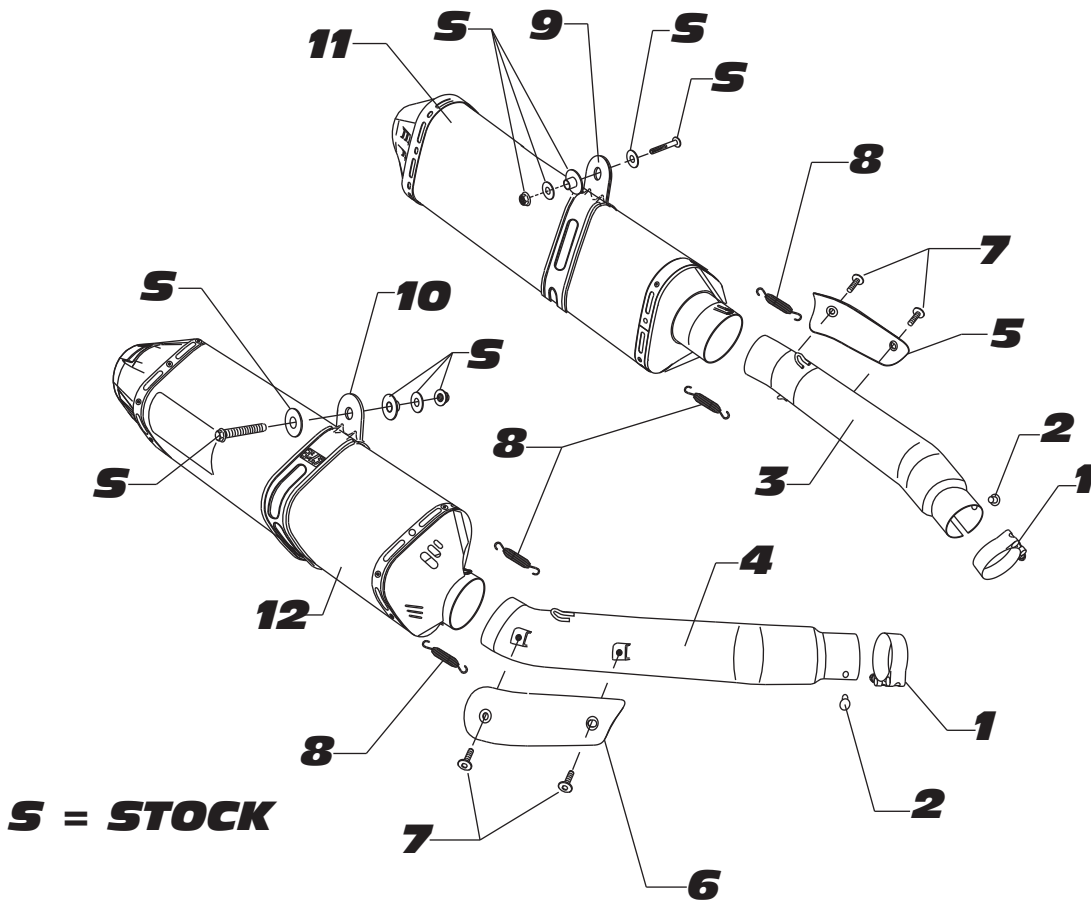
- 8 Drill a 13/64" hole thru the securing hole of each tailpipe and into the stock header using the securing hole as a guide.

CAUTION: Always wear eye protection when using any power tools.

- 9 Insert one securing rivet into each drilled hole, slide supplied stainless steel collector clamp over rivet and torque clamp to 1.25 kg-m (9 lb-ft).
- 10 It is recommended that the muffler and tailpipe be wiped down with rubbing alcohol to remove oil and fingerprints. This will help prevent tarnishing of the finish after the exhaust is heated up.
- 11 Check for proper clearance between new exhaust system and motorcycle. (i.e. Swing-arm, body work, etc.) If any problem is found, please carefully follow through the installation steps again. If problem still persists, please call Yoshimura technical department at (800)634-9166 / in CA (909)628-4722.

Note: After starting motorcycle, it is normal for new exhaust system and muffler to smoke until oil residue burns off.

#112126(2,5,7) / #112127(2,5,7) / #1121235



Parts Diagram

NO.	DESCRIPTION	QTY	PART #
1	Exhaust Collector Clamp	2	22057
2	Collector Rivet	2	S-RIVET
3	Yoshimura Tailpipe (Left)	1	1121-426
4	Yoshimura Tailpipe (Right)	1	1121-427
5	Yoshimura Tailpipe Heatshield (Left)	1	1121-HSL
6	Yoshimura Tailpipe Heatshield (Right)	1	1121-HSR
7	Heatshield Mounting Bolts	4	RC116HSB
8	Medium Race Spring	4	RACE-SPS-1
9	Stainless Steel Muffler Clamp (Left) with Carbon Fiber Sleeve with Stainless Steel or Titanium Sleeve	1	CTS082 CTS082X
10	Stainless Steel Muffler Clamp (Right) with Carbon Fiber Sleeve with Stainless Steel or Titanium Sleeve	1	CTS081 CTS081X
11	Yoshimura Muffler (Left)	1	**
12	Yoshimura Muffler (Right)	1	**
**	Muffler Clamp Heat Insulator	2	HT SHLDTRS
**	TRC Insert Kit (Cone Cap) TRS Insert Kit (Turn-down Tip)	2	TRC-INS-K TRS-INS-BK
**	Spring Puller Tool	1	ST-200
**	Yoshimura Vinyl Sticker	1	17029