



PERFORMANCE EXHAUST SYSTEM

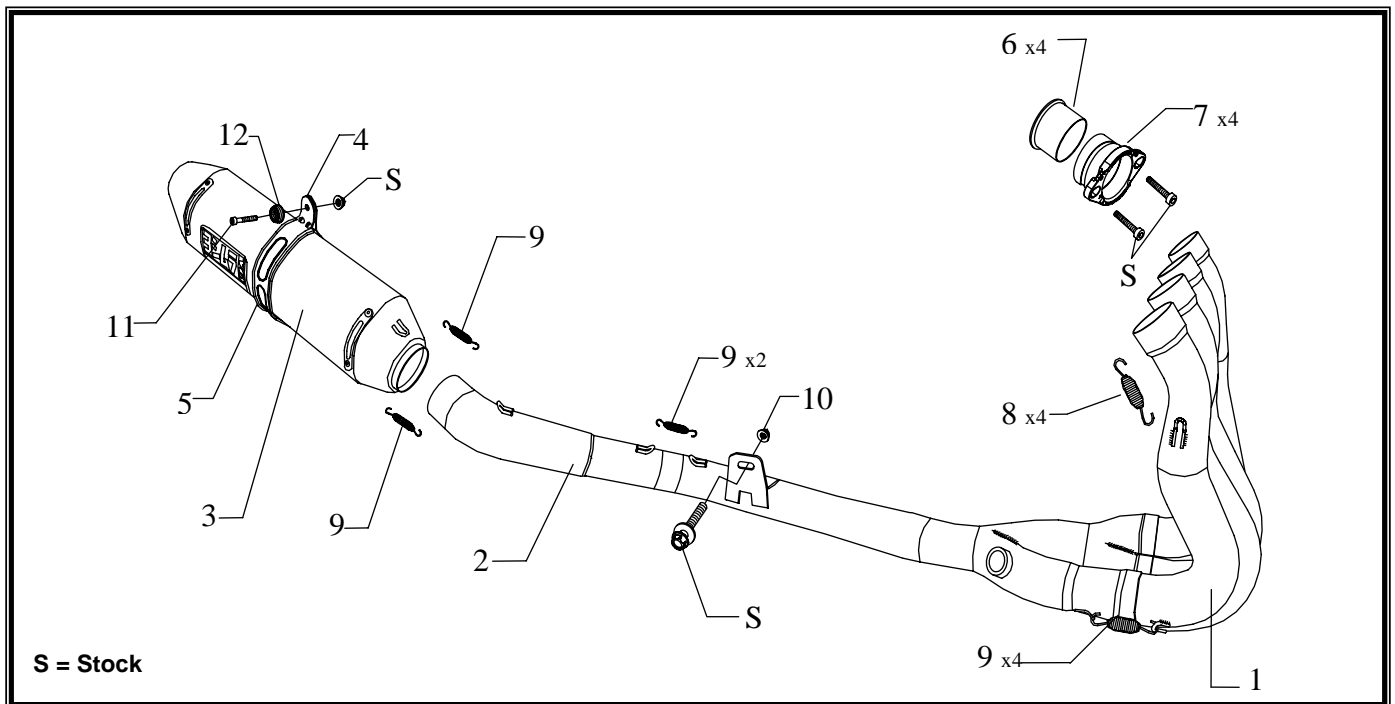
APPLICATION

YEAR	MODEL
2011	Suzuki GSX-R600 / 750

PRODUCT

1160000220	R77 Stainless Steel Full System Exhaust System with Carbon Fiber Sleeve; Carbon Fiber Endcap
1160000520	R77 Stainless Steel Full System Exhaust System with Stainless Steel Sleeve; Carbon Fiber Endcap
1160000550	R77 Stainless Steel Full System Exhaust System with Stainless Steel Sleeve; Stainless Steel Endcap

	This product is designed for use in closed course racing and is not intended for highway use. In the state of California, it is illegal to modify the emission control system, which includes the fuel injection of any vehicle.
	You must know how to remove and replace your stock exhaust in order to install this product otherwise have it installed by a professional mechanic. Keep all stock parts from your existing system as some components may be necessary to install your new Yoshimura exhaust depending on the application.
	Read through all instructions before beginning installation. Exhaust system can be extremely hot. Let motorcycle cool down before beginning installation. Always wear hand and eye protection and take precautionary measures to avoid injury.



No.	Part #	Description	Qty
1	11600-404	Yoshimura Header	1
2	11600-419	Yoshimura Tailpipe	1
3	CRR77F126W SRR77F126W SRR77126W-SS	Yoshimura Muffler CF Sleeve; CF Endcap SS Sleeve; CF Endcap SS Sleeve; SS Endcap	1
4	1121-MPCA 1121-MPCAX	Muffler Clamp CF Sleeve SS Sleeve	1
5	HT SHLDR77	Muffler Clamp Heatshield	1
6	1228SMT	Yoshimura Manifold	4

7	1170SDY	Yoshimura Flange	4
8	RACE-SPX-1	Short Spring	4
9	RACE-SPS-1	Medium Spring	8
10	8MMNUT	8mm Flange Nut	1
11	M8X45	8mm x 45mm Soc Head Cap Screw	1
12	M8ALCSW-00	M8 Counter Sink Wshr.	1
**	11600-RAD-BRKT	Radiator Bracket	1
**	INS-03-K INS-04-K	SS Endcap CF Endcap	1
**	ST-200	Spring Puller Tool	1
**	OXYBA12X125SS	O2 Bung Adapter	1
**	17029	Yoshimura Sticker Sht	1

-TOOLS REQUIRED-

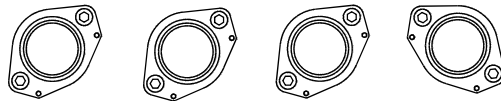
*Metric Socket Set
Combination Wrench Set
Torque Wrench
Metric Allen Wrench Set
Screwdriver*

-REMOVAL-

- 1. Remove left and right side fairing as per Factory Service Manual.**
- 2. Remove stock muffler by loosening exhaust clamp and while securely supporting the muffler, remove muffler mount bolt.**
- 3. Remove lower radiator support bracket and swing radiator forward to ease removal of stock header.**
- 4. Remove O2 sensor from stock header.**
- 5. Remove exhaust valve cables. (Note: Stock exhaust valve cables will not be used with Yoshimura Full System Exhaust.)**
- 6. Carefully remove stock header and exhaust port gaskets. (Note: Yoshimura Full System is designed to be installed without exhaust port gaskets.)**

-INSTALLATION-

- 1. Install Yoshimura manifolds and flanges into exhaust ports using stock header bolts. Torque to 7.3 ft-lb. (10 Nm, 1.0 kgf-m) See flange orientation below.**



- 2. Install Yoshimura header from one end of the engine to the other by slipping one header leg at a time onto manifolds. (Note: Lightly tap header legs with a plastic mallet to ensure a tight fit.)**
- 3. Connect header to flanges using the supplied springs.**
- 4. Install chassis mount bolt to secure header. Torque to 16.5 ft-lb. (23 Nm, 2.3 kgf-m)**
- 5. Slide Yoshimura muffler and tailpipe assembly onto header.**
- 6. Install rubber heat insulator onto Yoshimura muffler clamp. Slide muffler clamp over muffler and install muffler clamp to the inside of the stock muffler mount bracket using supplied hardware. See diagram for orientation. (Note: Twisting of tailpipe may be necessary for proper alignment. If needed, remove muffler springs to twist tailpipe for proper alignment.)**
- 7. Install springs on tailpipe to header connection.**
- 8. Re-install stock O2 sensor onto Yoshimura header.**
- 9. Re-install radiator bracket. (Note: For GSX-R750, use provided Yoshimura radiator bracket.)**

-FITMENT CHECK & NOTES-

- 1. Before starting motorcycle, check for proper clearance between new exhaust system and rear suspension (i.e. tire, swing-arm, brake, rear shock, engine, and etc.) If any problem is found, please carefully follow through the installation steps again. If problem still persists, please call Yoshimura Tech Department at (800) 634-9166 / in CA (909) 628-4722.**
- 2. It is recommended that the muffler and tailpipe be wiped down with rubbing alcohol to remove oil and fingerprints. This will help prevent tarnishing of the finish after the exhaust is heated up.**
- 3. NOTE: After starting motorcycle, it is normal for new exhaust system and muffler to emit smoke until oil residue burns off.**

-NECESSARY WIRING CHANGES-

1. It is necessary to properly disable the Suzuki SET (Suzuki Exhaust Tuning) system by following the steps listed below. Without properly disabling the SET system, the engine will run in a power limited fail-safe mode.
2. Remove rider seat and lift fuel tank.
3. With ignition in the OFF position, disconnect the black wire harness plug from the ECU. See Fig. 2
4. Remove the orange cap by pressing the small orange tabs on the side apart and pulling the orange cap off. See Fig. 3
5. Remove #5 wire (Brown/Black Stripe) by inserting a very small flat head screwdriver into the pin hole and gently pry down to unlock the wire and pull the wire out from the rear of the plug. (Note: If you do not have a small flat head screwdriver, you can make one using a regular paper clip. See Fig. 4)
6. Completely seal off the disconnected wire using electrical tape and shrink tube to prevent possible electrical problems. Secure disconnected wire to harness using a zip tie.
7. Re-install orange cap onto black wiring harness plug and re-connect plug to ECU.
8. Lower fuel tank and re-install rider seat.
9. Completely remove the exhaust valve cables from the EXCVA servo. Refer to Factory Service Manual for removal instructions. (Note: Do not unplug EXCVA servo as it may cause the bike to run in fail-safe mode.)

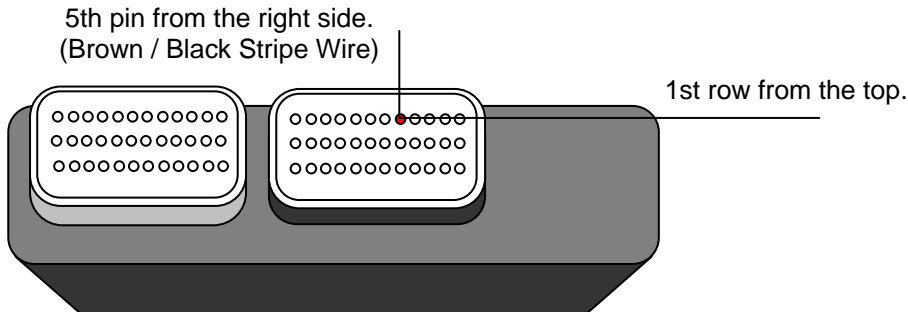


Fig. 1

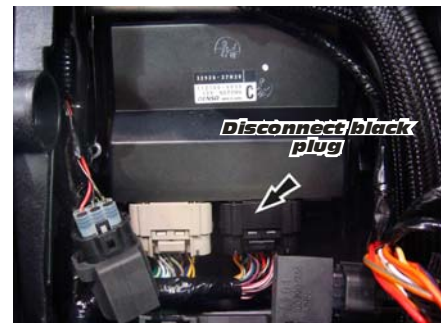


Fig. 2

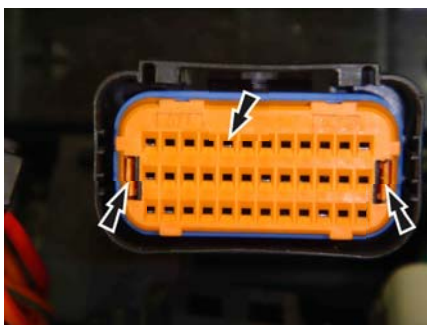


Fig. 3

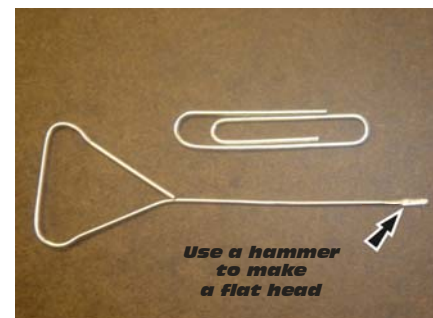


Fig. 4