



YOSHIMURA

RESEARCH&DEVELOPMENT OF AMERICA, INC.

5420 DANIELS STREET STE A, CHINO CA., 91710 · (800) 634-9166 · (909) 628-4722 · FACSIMILE (909) 591-2198

www.yoshimura-rd.com

YOSHIMURA PERFORMANCE EXHAUST SYSTEM

**2008-2011
HONDA
CBR1000RR**

1202206-CAT

*R-77 Stainless Steel Exhaust System with
Integrated Catalytic Converter*

Exempt from CA emissions regulations CCR27156 per executive order E.O.# K-004



California ARB Executive Order:

K-004

Applications:

2008-2011

Honda CBR1000RR

2009-2011

Honda CBR1000RR w/o ABS

This Yoshimura R&D exhaust system has been tested and certified to be legal for sale and use on the specified models indicated in this installation manual in the State of California in accordance to the certification requirements as mandated by the California Air Resource Board. Installation and/or use of this exhaust system on applications not specified in this installation manual may be in violation of state and/or federal law and may lead to personal injury and/or death or property damage.

This Yoshimura R&D exhaust system has not been tested for EPA noise emission compliance. Verify with local laws and regulations prior to installation.

Yoshimura R&D USA recommends installation all exhaust systems and components by a qualified technician ONLY.

Caution: Exhaust system can be extremely hot. Let motorcycle cool down before beginning installation. Always wear hand and eye protection and take precautionary measures to avoid injury.

Note: Read through all instructions before beginning installation.

Tools Needed:

Metric Socket Set
3/8" Ratchet and Extension
Metric Combination Wrench Set
Metric Allen Wrench Set
Torque Wrench

Installation Steps:

1. Remove stock muffler
 - Remove rear bolt on lower left cowl.
 - Remove exhaust valve control cover (Located under tail).
 - Detach cable from servo motor. (See Fig. 1)
Note: Cable will be removed with muffler. Check to make sure that the exhaust servo cam is orientated as shown in Fig. 1, else a MIL may turn on.
 - Loosen muffler clamp.
 - Remove muffler mounting bolt.
 - Loosen right rearset bolts.
 - Remove muffler.

2. Install Yoshimura tailpipe bracket
 - Remove charcoal canister mounting bolts.
 - Install Yoshimura tailpipe bracket. (Fig. 3)
 - Reinstall stock mounting bolts. Torque to 5.9 ft-lb (8.0 N-m).

3. Insert supplied clamp onto Yoshimura tailpipe and install tailpipe onto stock header.
Note: Stock gasket is NOT used. We recommend using an anti-seize compound on header to tailpipe connection.

4. Install Yoshimura muffler onto tailpipe.
 - Install and torque right rearset bolts to 27 ft-lb (37 N-m).
 - Torque muffler clamp bolt to 9.5 Lb-ft (13 N-m). Install exhaust springs using supplied spring puller tool.
 - Bolt muffler to stock mounting location using supplied bolt, stock washer and supplied spacer. Torque to 9.5 Lb-ft (13 N-m). (See parts diagram for orientation)

NOTE: It is recommended that the muffler and tailpipe be wiped down with rubbing alcohol to remove oil and fingerprints. This will help prevent tarnishing of the finish after the exhaust is heated up.

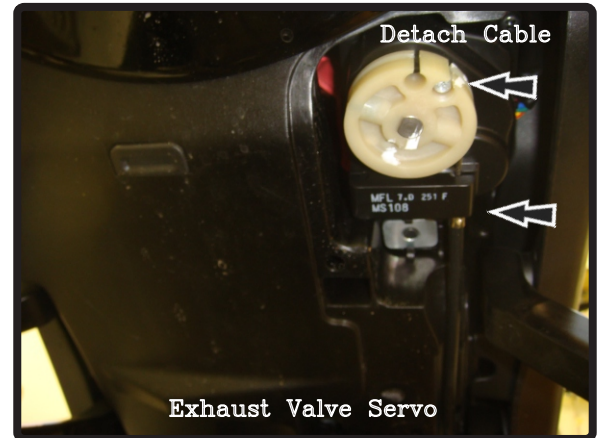


Fig. 1



Fig. 2



Fig. 3

5. Reinstall lower left cowl bolt and exhaust valve control cover.
6. Check for proper clearance between new exhaust system and rear suspension (i.e. tire, swing-arm, brake, rear shock etc).

Adjustment of tailpipe and/or muffler may be necessary to achieve desired fit.

If any problem is found, please carefully follow through the installation steps again. If problem still persists, please call Yoshimura technical department at (800) 634-9166 / in CA (909) 628-4722 .

**** NOTE:** *After starting the vehicle, it is normal for a new exhaust system and muffler to emit smoke until oil residue burns off.*

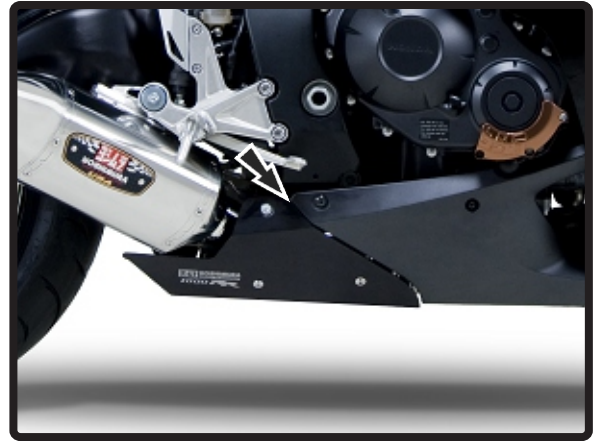
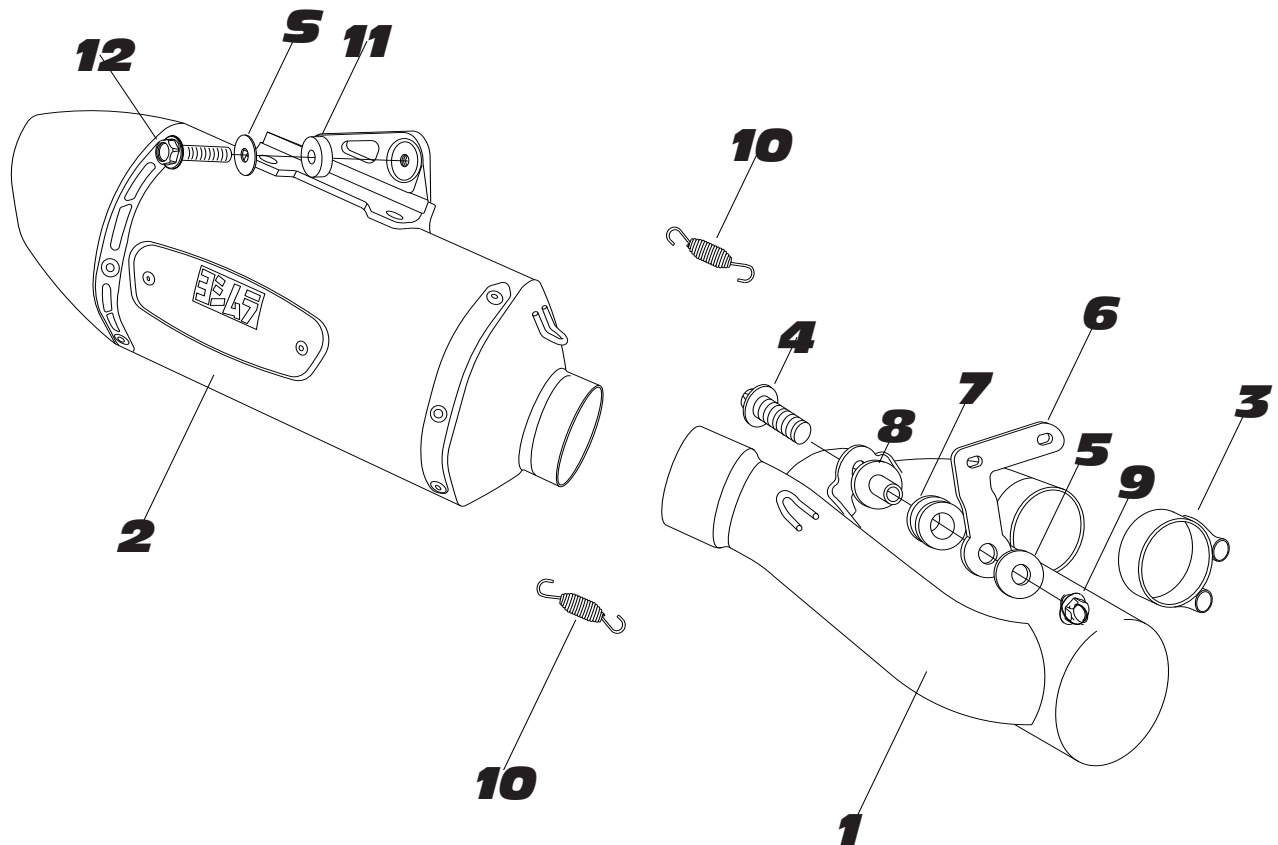


Fig. 4

Heatshield Installation:

1. Install heatshield bracket to fairing mount using stock bolt.
 - See Fig. 4 for location.
 - Leave bracket loose to ease alignment of heatshield with heatshield bracket.
2. Install Yoshimura heatshield using supplied heatshield bolts. Torque to 8 lb-ft.
 - Note: Use of blue threadlock is recommended.

#1202206-CAT



S = STOCK

Parts Diagram

| NO. | DESCRIPTION | QTY | PART # |
|-----|--|-----|-----------------|
| 1 | Yoshimura Tailpipe with Catalyzer | 1 | 1202-435-CAT-00 |
| 2 | R-77 Muffer Assembly Stainless Steel Sleeve with Stainless Endcap | 1 | 1201206-CAT-RMA |
| 3 | Stainless Muffer Clamp | 1 | 27-62MSH |
| 4 | 8mmX30mm Socket Head Screw | 1 | M8X30H |
| 5 | 8mm Flat Washer | 1 | 8MMWASHERL |
| 6 | Tailpipe Bracket | 1 | 1202-CMBKT-00 |
| 7 | Rubber Grommet | 1 | Z1022 |
| 8 | Aluminum Spacer | 1 | ALS-003 |
| 9 | 8mm Flange Nut | 1 | 8MMNUT |
| 10 | Muffer Spring | 2 | RACE-SPS-1 |
| 11 | Aluminum Spacer | 1 | 8X10SPC |
| 12 | 8mmx50mm Socket Head Bolt | 1 | M8X50 |
| ** | Yoshimura Aluminum Headshield | 1 | 1202CAT-HS-00 |
| ** | Heat Shield Bolts | 3 | RC116HSB-BK |
| ** | Yoshimura Spring Puller Tool | 1 | ST-200 |
| ** | Yoshimura Vinyl Sticker | 1 | 17029 |
| ** | SS HS Bracket | 1 | 1202HSBKT-00 |

