



# PERFORMANCE EXHAUST SYSTEM

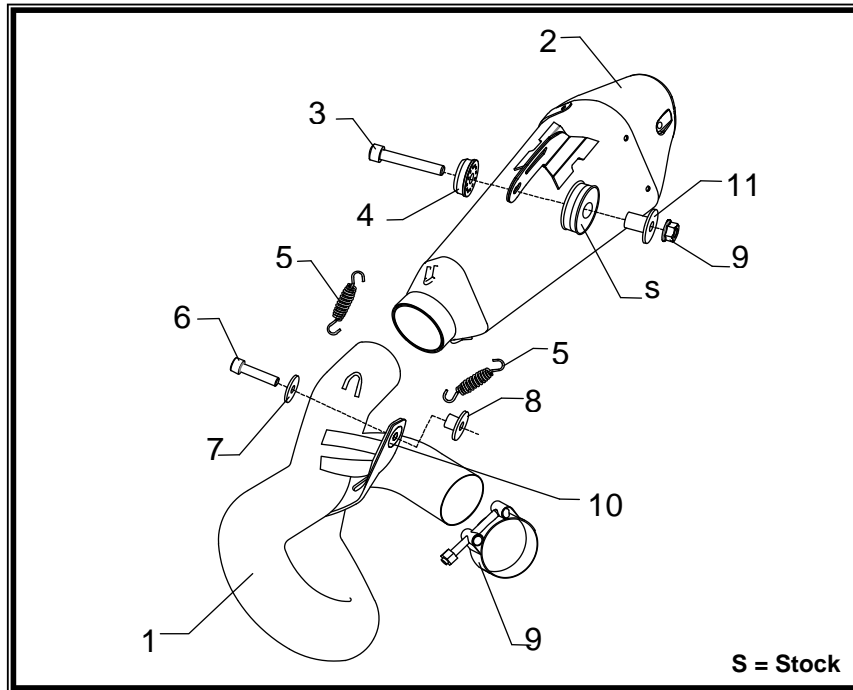
**APPLICATION**

MAKE	MODEL
Honda	CB1000R

**PRODUCT**

1210028520	R55 Stainless Steel Slip-On Exhaust System with Stainless Steel Sleeve; Carbon Fiber Endcap
------------	---

- ⚠ *This product is designed for use in closed course racing and is not intended for highway use. In the state of California, it is illegal to modify the emission control system, which includes the fuel injection of any vehicle.*
- ⚠ *You must know how to remove and replace your stock exhaust in order to install this product otherwise have it installed by a professional mechanic. Keep all stock parts from your existing system as some components may be necessary to install your new Yoshimura exhaust depending on the application.*
- ⚠ *Read through all instructions before beginning installation. Exhaust system can be extremely hot. Let motorcycle cool down before beginning installation. Always wear hand and eye protection and take precautionary measures to avoid injury.*



No.	Part #	Description	Qty
1	12100-435	Yoshimura Tailpipe	1
2	1210028520-RMA	Yoshimura Muffler R55 Stainless Steel Sleeve; CF Endcap	1
3	M8X50	8mm x 50mm Socket Head Cap Screw	1
4	M8ALCSW-00	8mm Countersink Washer	1
5	RACE-SPS-1	Med Spring w/ Insulator 2.3"	2
6	M8X35	8mm x 35mm Socket Head Cap Screw	1
7	8MMWASHERL	8mm Large Washer	1
8	ALS-003	Aluminum Spacer	1
9	27-62MSH	Exhaust Clamp	1
10	Z1022	Rubber Grommet	1
11	ALS-030	Aluminum Spacer	1
**	ST-200	Spring Puller Tool	1
**	17029	Yoshimura Sticker Sheet	1

**-TOOLS REQUIRED-**

*Metric Socket Set*

*Combination Wrench Set*

*Torque Wrench*

*Metric Allen Wrench Set*

*Screwdriver*

**-REMOVAL-**

1. **Loosen stock muffler clamp.**
2. **While securely supporting the muffler, remove the (2) muffler mount bolts and carefully remove stock muffler assembly from belly muffler.**

**-INSTALLATION-**

1. *Small parts installation.*
  - a) **Install provided rubber grommet into chassis mount bracket and install aluminum spacer. See diagram for orientation.**
  - b) **Install exhaust clamp over tailpipe.**
2. *Installing the muffler tailpipe assembly.*
  - a) **Carefully slide tailpipe over belly muffler outlet.**
  - b) **Install chassis mount bolts using the provided and stock hardware. See diagram for orientation. Do not torque at this time.**
  - c) **Secure muffler to muffler mount using provided and stock hardware. Do not torque at this time. See diagram for orientation.**
  - d) **Torque exhaust clamp to 13 Nm. (1.3 kg-m, 10 ft-lb)**
  - e) **Torque the chassis mount bolt to 13 Nm. (1.3 kg-m, 10 ft-lb)**
  - f) **Torque muffler mount bolt to 13 Nm. (1.3 kg-m, 10 ft-lb)**
3. *Fitment check and Notes.*
  - a) **Before starting motorcycle, check for proper clearance between new exhaust system and rear suspension (i.e. tire, swing-arm, brake, rear shock, engine, and etc.) If any problem is found, please carefully follow through the installation steps again. If problem still persists, please call Yoshimura Tech Department at (800) 634-9166 / in CA (909) 628-4722.**
  - b) **It is recommended that the muffler and tailpipe be wiped down with rubbing alcohol to remove oil and fingerprints. This will help prevent tarnishing of the finish after the exhaust is heated up.**
  - c) **NOTE: After starting motorcycle, it is normal for new exhaust system and muffler to emit smoke until oil residue burns off.**