



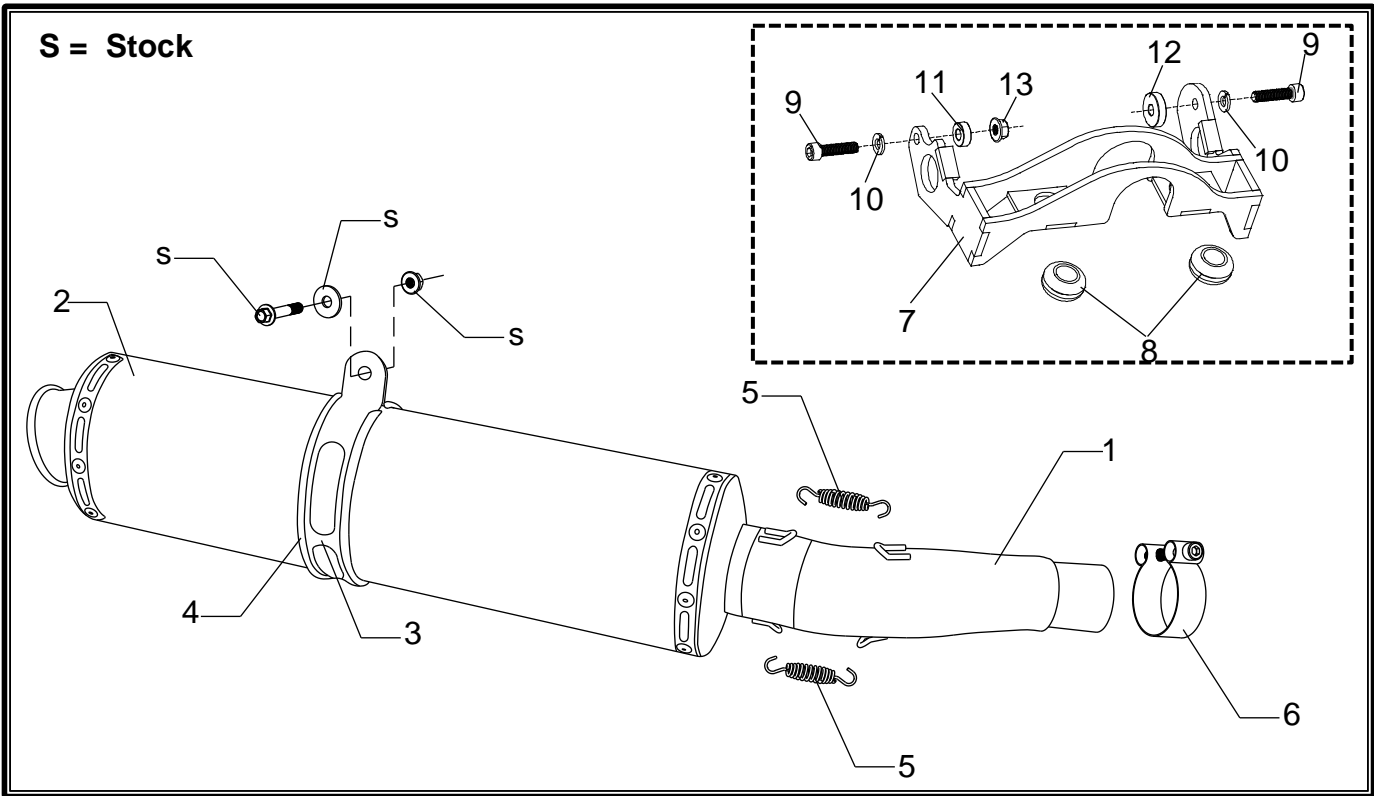
PERFORMANCE EXHAUST SYSTEM

EPA NOISE COMPLIANT

APPLICATION

MAKE	MODEL
Honda	CB1100
PRODUCT	
12111E5200	RS3 Stainless Steel Slip-On Exhaust System with Carbon Fiber Sleeve
12111E5500	RS3 Stainless Steel Slip-On Exhaust System with Stainless Steel Sleeve

- This product is 50-state legal and complies with Federal and State regulations. Any attempts to modify this product will render it non-compliant with Federal law and void warranty. If modified, the vehicle can no longer be used on public roads and can only be used for off-highway closed course competition. In the state of California, it is illegal to modify the emission control system, which includes the fuel injection system of any vehicle.
- You must know how to remove and replace your stock exhaust in order to install this product otherwise have it installed by a professional mechanic. Keep all stock parts from your existing system as some components may be necessary to install your new Yoshimura exhaust depending on the application.
- Read through all instructions before beginning installation. Exhaust system can be extremely hot. Let motorcycle cool down before beginning installation. Always wear hand and eye protection and take precautionary measures to avoid injury.



No.	Part #	Description	Qty
1	12110-435	Yoshimura Tailpipe	1
2	****	Yoshimura Muffer Assembly	1
	****	Carbon Fiber Sleeve	
	****	Stainless Steel Sleeve	
3	COS450S8BS COS450S8BSX	Muffer Clamp For Carbon Fiber Sleeve For Stainless Steel Sleeve	1
4	HT SHLDTRS	Muffer Clamp Heatshield	1
5	RACE-SPX-1	Short Spring	2
6	27-58M	Exhaust Clamp	1
7	12111-SSTP	Center Stand Bracket	1
8	Z1022	Rubber Grommet	2
9	M6X25	6mm x 25mm Socket Head Cap Screw	2
10	6X10LW	6mm Split Lock Washer	2
11	6X14X5SPCR	Small Aluminum Spacer	1
12	6X20X5SPCR	Large Aluminum Spacer	1
13	6MMNUT	6mm Nut	1
**	ST-200	Spring Puller Tool	1
**	17029	Yoshimura Sticker Sheet	1

-TOOLS REQUIRED-

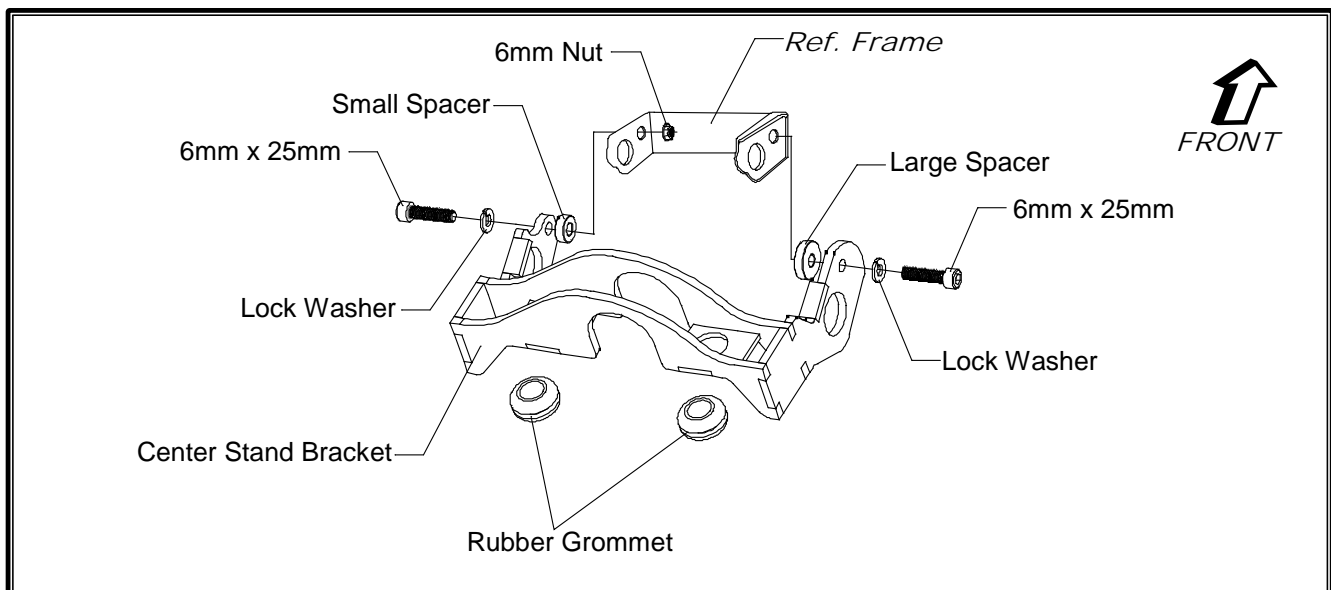
Metric Socket Set • Combination Wrench Set • Torque Wrench • Metric Allen Wrench Set

-REMOVAL-

1. Place bike on center stand and remove center stand shaft bolt. Do not remove center stand shaft.
 2. Remove the muffler heatshield bolt and remove the stock heatshield by sliding toward the front of the bike.
 3. Loosen stock exhaust clamp at header and muffler connection.
 4. While securely supporting the stock muffler assembly remove the muffler mount bolt.
 5. Slide the stock muffler off of header by sliding toward the rear of the bike.
- Note:** The stock exhaust gasket will not be used with the Yoshimura Slip-On Exhaust System.

-INSTALLATION-

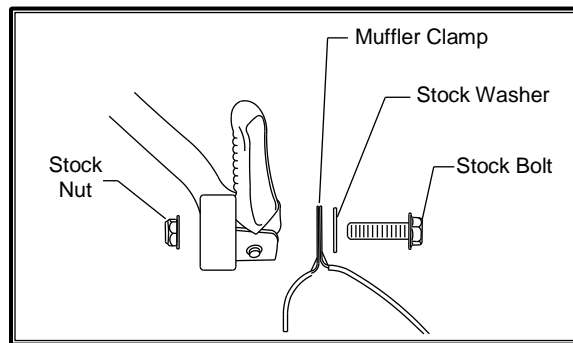
1. Install rubber grommets onto Yoshimura center stand bracket.
2. Install Yoshimura center stand bracket to stock frame using the hardware provided in the kit. See diagram below for proper orientation and order of hardware.



3. Install provided exhaust clamp over Yoshimura tailpipe inlet.
4. Install rubber heatshield onto muffler clamp and slide over muffler.
5. Install Yoshimura muffler assembly by sliding tailpipe over stock header outlet.
6. Align muffler clamp to muffler mount and secure using the stock bolt, washer, and nut. Torque to factory specification.

Note¹: The muffler clamp mounts to the outside of the muffler mount. See diagram below.

Note²: It may be necessary to remove the exhaust springs to rotate the tailpipe and/or muffler independently to achieve desired alignment. Re-install exhaust springs after desired alignment is achieved.



7. **Torque exhaust clamp to 13.5 Nm. (1.3 kg-m, 10 lb-ft)**
8. **Before starting motorcycle, check for proper clearance between new exhaust system and rear suspension (i.e. tire, swing-arm, brake, rear shock, engine, and etc.) If any problem is found, please carefully follow through the installation steps again. If problem still persists, please call Yoshimura Tech Department at (800) 634-9166 / in CA (909) 628-4722.**
9. **It is recommended that the muffer and tailpipe be wiped down with rubbing alcohol to remove oil and fingerprints. This will help prevent tarnishing of the finish after the exhaust is heated up.**
NOTE: After starting motorcycle, it is normal for new exhaust system and muffer to emit smoke until oil residue burns off.

This Page Has Been
Left Blank Intentionally

NOISE EMISSION WARRANTY

Yoshimura warrants that this exhaust system, at time of sale, meets all applicable U.S. E.P.A. Federal noise standards. This warranty extends to the first person who buys this exhaust system for purposes other than resale, and to all subsequent buyers. Warranty claims should be directed to Yoshimura R&D of America, Inc.
5420 Daniels St. Chino, CA 91710 | Tel (800) 634-9166

TAMPERING PROHIBITION

Federal law prohibits any modification to this exhaust system which causes the motorcycle to exceed the Federal noise standard. Use of the motorcycle with such a modified exhaust system is also prohibited.

Acts likely to constitute tampering include removal or puncturing the muffler, baffles, header pipes, or any other component which conducts exhaust gases.

WARNING: This product should be checked for repair or replacement if the motorcycle noise has increased significantly through use. Otherwise, the owner may become subject to penalties under state and local ordinances.