



# RACE SERIES

## Qualified Manufacturer Declared "Modified Part"

### APPLICATION

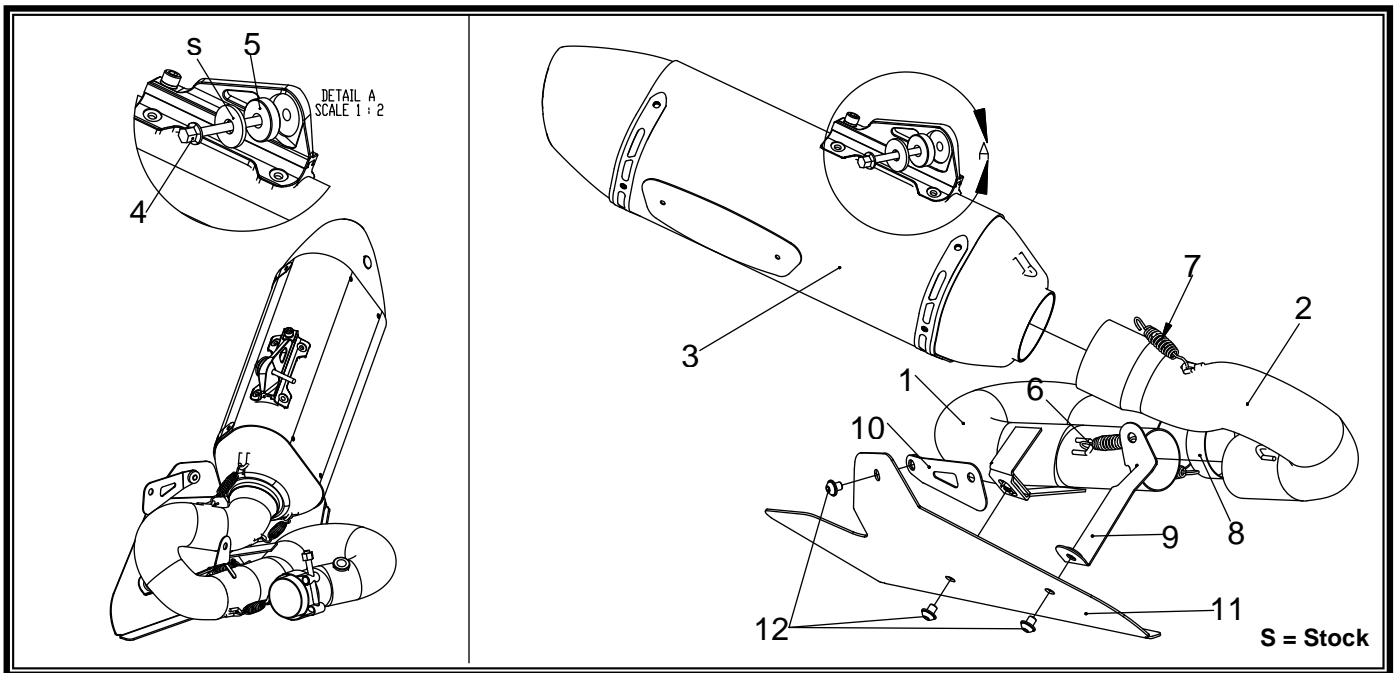
YEAR	MODEL
2012-2013	Honda CBR1000RR

### PRODUCT

1220020220	R77 Slip-On System with Carbon Fiber Sleeve; Carbon Fiber Endcap
1220020520	R77 Slip-On System with Stainless Steel Sleeve; Carbon Fiber Endcap

## FOR CLOSED COURSE COMPETITION ONLY; NOT INTENDED FOR STREET USE

	This product is designed for use in closed course racing and is not intended for highway use. In the state of California, it is illegal to modify the emission control system, which includes the fuel injection of any vehicle.
	You must know how to remove and replace your stock exhaust in order to install this product otherwise have it installed by a professional mechanic. Keep all stock parts from your existing system as some components may be necessary to install your new Yoshimura exhaust depending on the application.
	Read through all instructions before beginning installation. Exhaust system can be extremely hot. Let motorcycle cool down before beginning installation. Always wear hand and eye protection and take precautionary measures to avoid injury.



No.	Part #	Description	Qty
1	1201-435-A	Yoshimura Tailpipe	1
2	1201-436	Yoshimura Tailpipe	
3		Yoshimura Muffler	1
	1201202-RMA	Carbon Fiber Sleeve; CF Endcap	
	1201205-RMA	Stainless Steel Sleeve; CF Endcap	
4	M8X50	8mm x 50mm Socket Head Cap Screw	1
5	8X7SPC	Aluminum Spacer	1
6	RACE-SPX-1	Small Exhaust Spring	2
7	RACE-SPS-1	Medium Exhaust Spring	2
8	20060	Exhaust Clamp	1
9	12200-HSBRKT1	Yoshimura Heatshield Bracket 1	1
10	12200-HSBRKT3	Yoshimura Heatshield Bracket 3	1
11	12200-HS-00	Yoshimura Heatshield	1
12	RC116HSB-BK	Black Heatshield bolts	3
**	M12X8H	12mm x 8mm Flanged Hex Head Bolt	1
**	12MMCW	12mm Copper Crush Washer	1
**	ST-200	Spring Puller Tool	1
**	INS-04-K (included w/ CF Endcap)	Low Volume Sound Insert	1
**	INS-03-K (included w/ SS Endcap)	Low Volume Sound Insert	1
**	17029	Yoshimura Sticker Sheet	1

## **-TOOLS REQUIRED-**

*Metric Socket Set  
Combination Wrench Set  
Torque Wrench  
Metric Allen Wrench Set*

## **-REMOVAL-**

- 1. Remove lower fairings as per Factory Service Manual.**
- 2. Remove small undertail cover to expose exhaust control valve servo.**
  - a) Mark servo cam position.**
  - b) Turn servo clockwise to loosen cable tension and remove cable from cam.**
  - c) Return cam to original position. (Note: Cam must be returned to its original position to prevent check engine light. Cable will be removed with muffler. )**



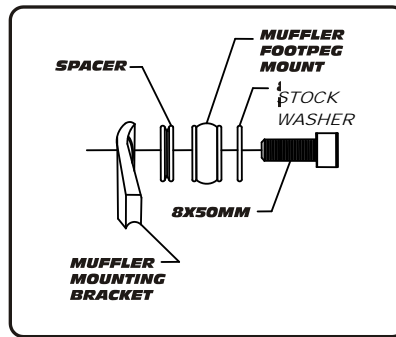
- 3. Loosen muffler clamp bolt.**
- 4. Remove muffler mount bolt.**
- 5. Loosen right rearset mounting bolts to ease stock muffler removal.**

## **-INSTALLATION-**

- 1. Remove lower header chassis mount bolt and install heatshield bracket using the stock bolt.**



- 2. Slide supplied exhaust clamp onto Yoshimura tailpipe and install tailpipe onto stock header.**  
**Note: Stock exhaust gasket will NOT be used with the Yoshimura system.**
- 3. Install Yoshimura muffler onto tailpipe.**
  - a) Bolt muffler to stock location on right rearset.**
  - b) Torque rearset bolts to 37Nm. (3.7kg-m, 29lb-ft)**



4. Torque header chassis mount bolt to 22Nm. (2.2kg-m, 16lb-ft)
5. Torque muffler mount bolt to 23Nm. (2.3kg-m, 16.5lb-ft)
6. If O2 sensor is not to be used, install supplied bolt and crush washer in O2 sensor bung on Yoshimura tailpipe. Torque to 23Nm. (2.3kg-m, 16.5lb-ft)
7. Install heatshield bracket to fairing mount using stock bolt. See diagram for orientation.
  - a) Leave bracket loose to ease alignment of heatshield with heatshield bracket.
  - b) Install Yoshimura heatshield using supplied heatshield bolts. Torque to 10Nm. (1.0kg-m, 8lb-ft)

Note: The use of blue threadlock or "loc-tite" is recommended.



8. Reinstall lower fairing and exhaust control valve servo cover.

1. *Fitment check and Notes.*

- a) Before starting motorcycle, check for proper clearance between new exhaust system and rear suspension (i.e. tire, swing-arm, brake, rear shock, engine, and etc.) If any problem is found, please carefully follow through the installation steps again. If problem still persists, please call Yoshimura Tech Department at (800) 634-9166 / in CA (909) 628-4722.
- b) It is recommended that the muffler and tailpipe be wiped down with rubbing alcohol to remove oil and fingerprints. This will help prevent tarnishing of the finish after the exhaust is heated up.
- c) NOTE: After starting motorcycle, it is normal for new exhaust system and muffler to emit smoke until oil residue burns off.

Dear Yoshimura Customer,

Congratulations and thank you for purchasing a Yoshimura Exhaust System. Over six decades of experience in research and development, state of the art machinery, materials and craftsmanship of the highest quality all come together in a product of exceptional quality and performance—in other words, this is the best thing you can put on your bike.

We strive to provide you with a product perfect in fit and finish. However, if you have any problems, please give us a call. We have found that most fitment issues can be easily resolved by a conversation with one of our knowledgeable and friendly staff. If the issue cannot be resolved this way, our warranty evaluation program may be the answer. Please take a moment to review our recommendations for the care of your exhaust and our warranty information.

**PLEASE NOTE:** If you have any doubts about your exhaust: **DO NOT START THE MOTORCYCLE! ONCE AN EXHAUST HAS BEEN USED OR MODIFIED, IT CANNOT BE RETURNED FOR CREDIT OR EXCHANGE.**

## EXHAUST SYSTEM MAINTENANCE

Yoshimura Exhaust Systems require very little care and maintenance; here are a few tips:

1. Use mild car/motorcycle soap to clean the exhaust system—do not use any abrasives or degreasers.
2. Clean your exhaust with metal/stainless polish every 1-2 months to retain the luster and remove dirt and grime.  
(DO NOT USE POLISH ON “WORKS FINISH” SYSTEMS)
3. Avoid contaminating exhaust surfaces when hot.
4. Your exhaust system will change color (blue, magenta, purple, and/or gold) due to heat; this is normal.
5. Keep all clamps, bolts and other fasteners tight as exhaust systems are susceptible to vibration damage.
6. If you ride in coastal regions or areas that use salt to control ice and snow, wipe the exhaust down after it cools to remove any possible salt residue, which can result in rusting.
7. If you are storing your motorcycle for the season, wipe the exhaust system down with rubbing alcohol before storage.
8. Head pipes glowing (visible in normal light) may indicate an excessively lean condition that must be corrected.

### CARBON FIBER:

Carbon fiber equipped exhaust components require special attention.

The following addresses wear issues directly related to carbon fiber:

1. Keep all clamps, bolts and other fasteners tight. Carbon Fiber is very susceptible to vibration damage.
2. Keep all chemicals and solvents away from the carbon fiber, as they will damage the finish.
3. High temperatures will cause the resin in the carbon fiber to break down. Visual signs such as an amber hue in the resin may be early signs of heat damage to carbon fiber.
4. Upon seeing amber colored resin, discontinue use. The exhaust system needs to be inspected by a representative from Yoshimura, for repack, and/or repair. Continued use will cause component failure.

### STAINLESS STEEL:

Stainless Steel is not rust proof but is less prone to rusting, staining and pitting; but it is prone to oxidation like all metals.

### WORKS FINISH:

1. Works Finish exhaust systems should never be cleaned with abrasives or polishes.
  2. Yoshimura recommends using “Bar Keepers Friend” cleaner to remove minor stains.
  3. Surface reconditioning services are available to remove scratches and undesirable discoloration due to extreme heat.
- Contact Yoshimura Tech Department at (800) 634-9166 / in CA (909) 628-4722 for more information.

## RE-PACKING TIPS

To maintain maximum sound and engine performance the muffler packing will need to be replaced at some time during the muffler's life. Yoshimura recommends repacking your muffler at least once a year.

Failure to maintain the muffler packing may cause damage to the muffler and/or void the warranty. Regularly inspect the muffler body for discoloration, cracks, rattling, or other signs of wear caused by depleted muffler packing. If muffler packing is determined to be depleted or worn, a Yoshimura muffler re-pack kit is highly recommended to restore the muffler to optimum maximum performance.

Yoshimura offers a 3-5 day turn around (plus transit time) to inspect and refurbish used and damaged mufflers.

**For more information on muffler repacking please visit our website at:**

**<http://www.yoshimura-rd.com/muffler-repacking>**

### IMPORTANT TECHNICAL NOTE

Yoshimura recommends on all race exhaust systems, that all spring joints be safety wired. Recommended wire type 304/316 stainless steel with a .032" diameter should be used.

## YOSHIMURA EXHAUST LIMITED WARRANTY

All Yoshimura R&D of America, Inc., exhaust systems carry a one-year limited warranty against defects in workmanship and/or materials.

### WHO IS COVERED?

This warranty is provided to the original purchaser of the exhaust system.

### WHAT VOIDS THE WARRANTY?

1. Abuse, misuse, improper installation and/or modifications
2. Custom applications
3. No proof of purchase at the time of warranty. Claimant must provide proof of purchase (original receipt or invoice) and a warranty authorization number (RMA) obtained from Yoshimura.
4. Finishes such as plating or painted surfaces with discoloration or rust due to inclement weather conditions, exposure to salt, exposure to chemicals, or lack of maintenance by the customer are not covered.
5. International grey-market product purchased through a dealer/distributor not authorized for your country will not be supported by this warranty.

### EXTENT OF WARRANTY:

Any defective exhaust system properly returned to Yoshimura will be repaired or replaced by Yoshimura. Yoshimura is not responsible for any other expense incurred by the customer under the terms of this limited warranty, nor is Yoshimura responsible for any damages either consequential, incidental, special, contingent or otherwise; or expenses or injury arising directly or indirectly from the use of the exhaust system. Any exhaust system returned to Yoshimura must be sent at the customer's expense along with the proof of purchase and warranty authorization (RMA). Yoshimura reserves the right to determine whether the terms of the warranty, set out above, have been properly followed. In the event that the terms are not followed this warranty is void. Yoshimura is the sole determiner of abuse, misuse, installation errors and modifications—should any of these be found, this warranty is void. The duration of any and all implied warranties are limited to the duration of the express warranty. All incidental or consequential damages are hereby excluded. The warranty gives you specific legal rights and you may have other rights, which vary from state to state. Some states do not allow the exclusion or limitation of incidental or consequential damages or limitations on how long an implied warranty lasts, so the above limitations and exclusions may not apply to you.

**If you have a fitment or other problem, or are missing a part, please double-check this trouble shooting guide first:**

1. Reference your instruction sheet and double-check all drawings and instructions
2. Make sure muffler clamps are installed correctly (refer to instructions diagram). On many models, there is a right and wrong way to install. Also verify part numbers on headers and tail pipe.
3. Always make sure to install spring-mounted manifolds and flanges on cylinder head prior to installing headers.
4. Always take time to examine problems in detail.
5. When all else fails, call our technical support line at (909) 628-4722. The technical line is open 9:00am – 4:30pm Monday through Friday, Pacific Time. Please have the following information handy: Year/Make/Model of motorcycle, date of purchase, place of purchase, batch dates and part numbers (found on header and tail-pipe components).
6. Also, feel free to ask through online e-mail at [sales@yoshimura-rd.com](mailto:sales@yoshimura-rd.com), or fax your question/problems to (909) 591-2198.

**To obtain technical information directly from Yoshimura, call (909) 628-4722.**