



RACE SERIES

Qualified Manufacturer Declared "Modified Part"


APPLICATION


YEAR	MODEL
2014 - 2016	Honda CBR1000RR


PRODUCT

1220100220	R77 SS Full-System Exhaust with Carbon Fiber Sleeve; Carbon Fiber Endcap
1220100520	R77 SS Full-System Exhaust with Stainless Steel Sleeve; Carbon Fiber Endcap

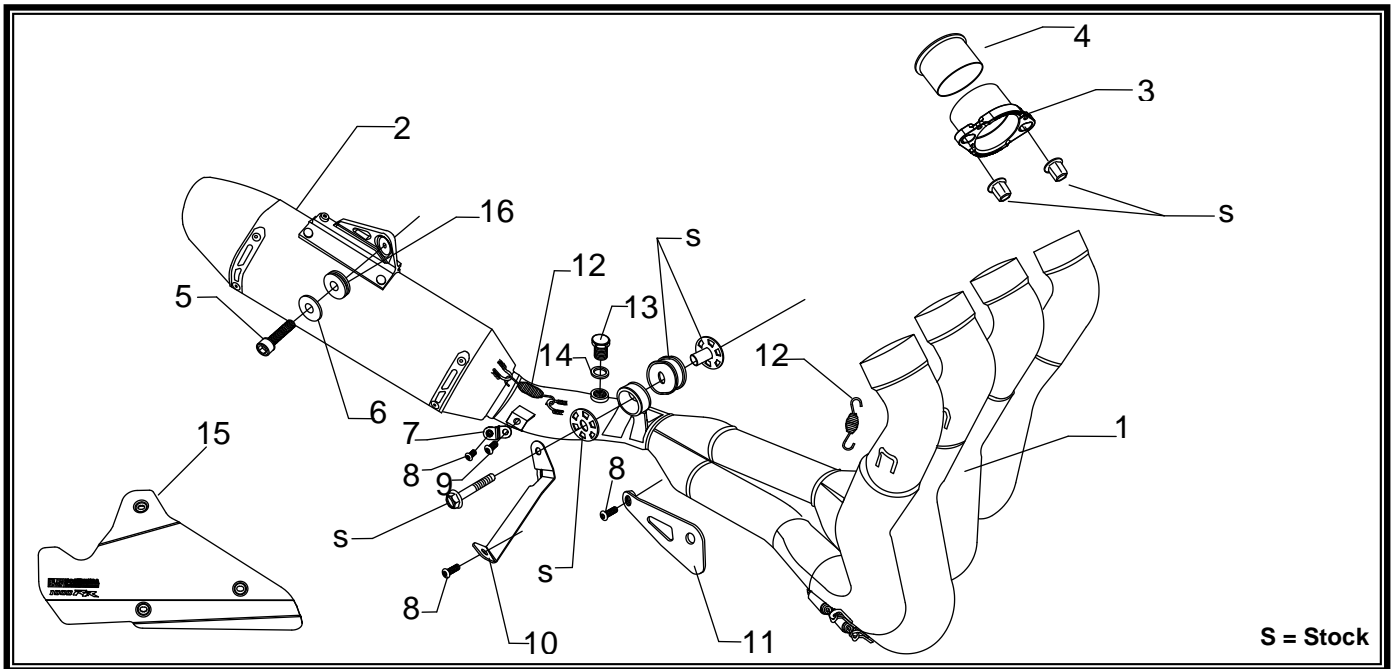
FOR CLOSED COURSE COMPETITION ONLY; NOT INTENDED FOR STREET USE

- 

This product is designed for use in closed course racing and is not intended for highway use. In the state of California, it is illegal to modify the emission control system, which includes the fuel injection of any vehicle.
- 

You must know how to remove and replace your stock exhaust in order to install this product otherwise have it installed by a professional mechanic. Keep all stock parts from your existing system as some components may be necessary to install your new Yoshimura exhaust depending on the application.
- 

Read through all instructions before beginning installation. Exhaust system can be extremely hot. Let motorcycle cool down before beginning installation. Always wear hand and eye protection and take precautionary measures to avoid injury.



S = Stock

No.	Part #	Description	Qty
1	12201-404F	Yoshimura Header	1
2	1201202-RMA 1201205-RMA	Yoshimura Muffler Carbon Fiber Sleeve; CF Endcap Stainless Steel Sleeve; CF Endcap	1
3	1201SDY	Yoshimura Flange	4
4	1201SMT	Yoshimura Manifold	4
5	M8X50	8mm x 50mm Socket Head Cap Screw	1
6	8MMWASHERXL	8mm XL Washer	1
7	12200-HSBRKT2	#2 Heatshield Bracket	1
8	RC116HSB-BK	6x8mm Black Button Head Screw	3
9	M6X6BHS	6mm x 6mm Button Head Screw	1
10	12200-HSBRKT1	#1 Heatshield Bracket	1
11	12200-HSBRKT3	#3 Heatshield Bracket	1
12	RACE-SPX-1	Short Spring	6
13	M12X8H	O2 Bung Plug	1
14	12MMCW	12mm Crush Washer	1
15	12200-HS-00	Heatshield	1
16	8X7SPC	Aluminum Spacer	1
**	12200-RAD-BRKT	Radiator Bracket	1
**	INS-04-K	Low Volume Sound Insert	1
**	ST-200	Spring Puller Tool	1
**	17029	Yoshimura Sticker Sheet	1

-TOOLS REQUIRED-

Metric Socket Set • Combination Wrench Set • Torque Wrench • Metric Allen Wrench Set

-REMOVAL-

1. **Remove left, right, and lower fairings as per Factory Service Manual.**
2. **Remove small undertail cover to expose exhaust control valve servo.**
 - a) **Mark servo cam position.**
 - b) **Turn servo clockwise to loosen cable tension and remove cable from cam.**
 - c) **Return cam to original position. (Note: Cam must be returned to its original position to prevent check engine light. Cable will be removed with muffler.)**



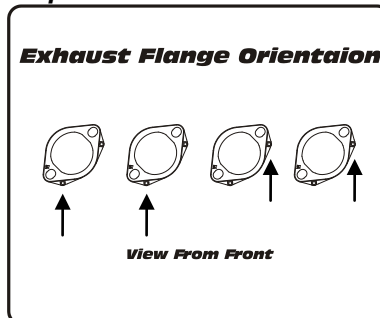
3. **Loosen muffler clamp bolt.**
4. **Remove muffler mount bolt.**
5. **Loosen right rearset mounting bolts to ease stock muffler removal.**
6. **Remove lower radiator mounting bracket.**



7. **While securely supporting the header, remove header nuts and carefully remove header.**
8. **Remove stock exhaust port gaskets as they will not be used with the Yoshimura system.**

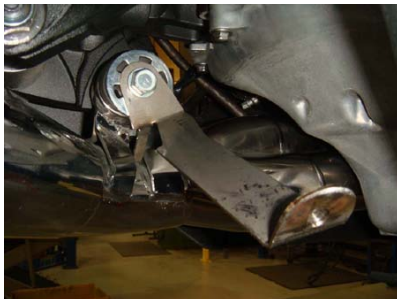
-INSTALLATION-

1. **Install Yoshimura Manifolds and flanges using the stock nuts. Leave manifolds loose to ease installation of headers. Do not torque at this time.**

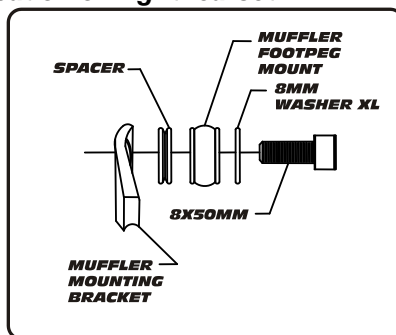


2. **Install springs onto flanges, noting spring hook locations of header.**

3. **Install header from one end of the engine to the other by slipping one tube at a time into the manifolds installed earlier.**
 - a) **Install springs using supplied spring puller tool.**
 - b) **Using a plastic or soft rubber mallet, tap header legs to ensure they are properly seated into the manifold.**
4. **Bolt Yoshimura header to stock chassis location using the stock bolt, heatshield bracket, washers, and rubber grommet. See diagram for orientation.**



5. **Install Yoshimura muffler onto tailpipe.**
 - a) **Install supplied exhaust springs.**
 - b) **Bolt muffler to stock location on right rearset.**



6. **Torque header bolts to 12Nm. (1.2kg-m, 9lb-ft)**
7. **Install provided lower radiator mounting bracket using the stock bolt. Torque to factory specifications.**
8. **Torque header chassis mount bolt to 22Nm. (2.2kg-m, 16lb-ft)**
9. **Torque rearset bolts to 37Nm. (3.7kg-m, 29lb-ft)**
10. **Torque muffler mount bolt to 23Nm. (2.3kg-m, 16.5lb-ft)**
11. **If O2 sensor is not to be used, install supplied bolt and crush washer in O2 sensor bung on Yoshimura tailpipe. Torque to 23Nm. (2.3kg-m, 16.5lb-ft)**
12. **Install heatshield bracket to fairing mount using stock bolt. See diagram for orientation.**
 - a) **Leave bracket loose to ease alignment of heatshield with heatshield bracket.**
 - b) **Install Yoshimura heatshield using supplied heatshield bolts. Torque to 10Nm. (1.0kg-m, 8lb-ft)**

Note: The use of blue threadlock or "loc-tite" is recommended.



13. **Reinstall fairings and exhaust control valve servo cover.**

Fitment check and Notes.

- a) **Before starting motorcycle, check for proper clearance between new exhaust system and rear suspension (i.e. tire, swing-arm, brake, rear shock, engine, and etc.) If any problem is found, please carefully follow through the installation steps again. If problem still persists, please call Yoshimura Tech Department at (800) 634-9166 / in CA (909) 628-4722.**
- b) **It is recommended that the muffler and tailpipe be wiped down with rubbing alcohol to remove oil and fingerprints. This will help prevent tarnishing of the finish after the exhaust is heated up.**
- c) **NOTE: After starting motorcycle, it is normal for new exhaust system and muffler to emit smoke until oil residue burns off.**