



RACE SERIES

Qualified Manufacturer Declared "Modified Part"


APPLICATION


YEAR	MODEL
2011-2013	Honda CBR250R


PRODUCT

122500J220	R77 SS Full-System Exhaust with Carbon Fiber Sleeve; Carbon Fiber Endcap
122500J520	R77 SS Full-System Exhaust with Stainless Steel Sleeve; Carbon Fiber Endcap

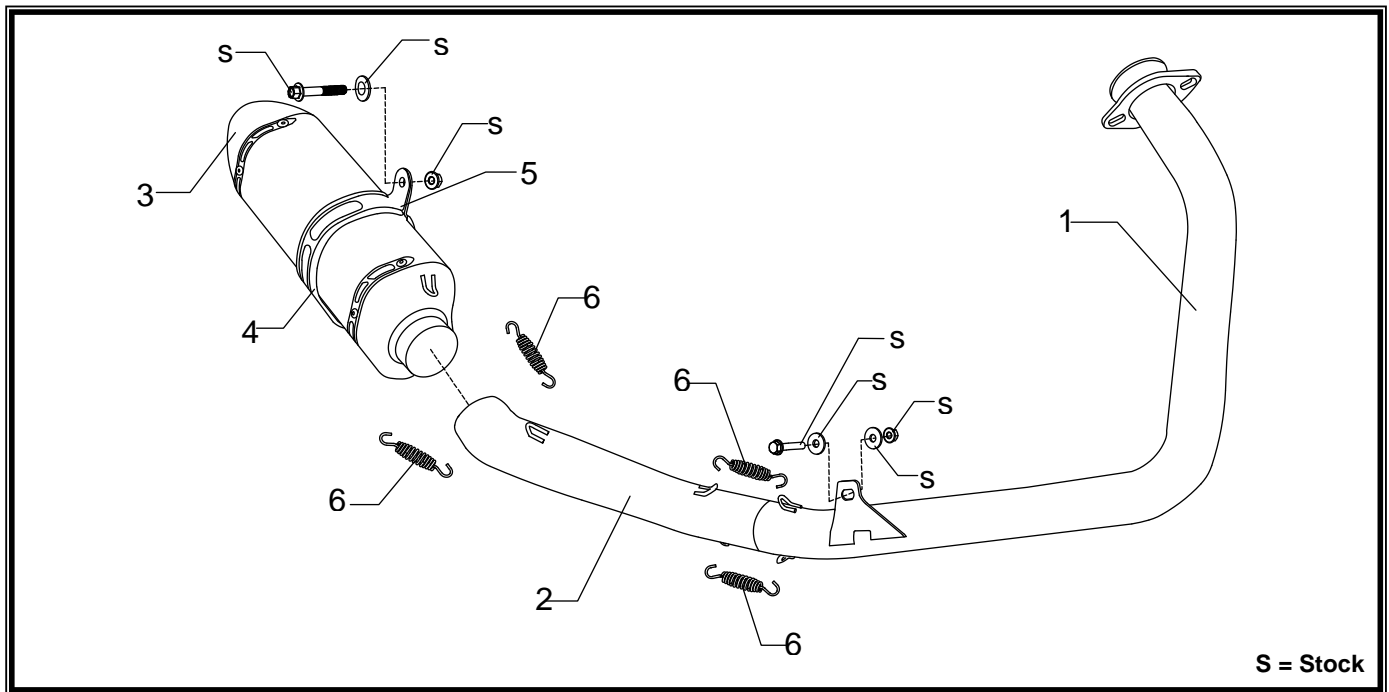
FOR CLOSED COURSE COMPETITION ONLY; NOT INTENDED FOR STREET USE

- 

This product is designed for use in closed course racing and is not intended for highway use. In the state of California, it is illegal to modify the emission control system, which includes the fuel injection of any vehicle.
- 

You must know how to remove and replace your stock exhaust in order to install this product otherwise have it installed by a professional mechanic. Keep all stock parts from your existing system as some components may be necessary to install your new Yoshimura exhaust depending on the application.
- 

Read through all instructions before beginning installation. Exhaust system can be extremely hot. Let motorcycle cool down before beginning installation. Always wear hand and eye protection and take precautionary measures to avoid injury.



S = Stock

No.	Part #	Description	Qty
1	12250-401	Yoshimura Header	1
2	12250-418	Yoshimura Tailpipe	1
3	CRR77M14S SRR77M14S	Yoshimura Muffler CF Sleeve; CF Endcap SS Sleeve; CF Endcap	1
4	HT SHLDR77	Muffler Clamp Heatshield	1
5	YM7M-MPCA YM7M-MPCAX	Muffler Clamp CF Sleeve SS Sleeve	1
6	RACE-SPS-1	Medium Spring	4
**	ST-200	Spring Puller Tool	1
**	17029	Yoshimura Sticker Sheet	1
**	INS-04-K	Low Volume Insert	1
**	M18X13PLG	O2 Sensor Bung Plug	1

-TOOLS REQUIRED-

Metric Socket Set • Combination Wrench Set • Torque Wrench • Metric Allen Wrench Set

-REMOVAL-

1. *Removing the stock muffler assembly.*
 - a) **Loosen the stock exhaust clamp.**
 - b) **While securely supporting the muffler, loosen and remove muffler hanger bolt.**
 - c) **Slide the stock muffler assembly off of the header.**

2. *Removing the header.*
 - a) **Remove right side lower fairing bolt to access chassis mount bolt.**
 - b) **Remove chassis mount bolt that secures header.**
 - c) **While supporting header, remove header nuts.**
 - d) **Remove stock header. (Note: The stock exhaust port gasket will be re-used with the Yoshimura Full System. Inspect and replace if necessary.)**

-INSTALLATION-

1. *Small parts installation.*
 - a) **Install rubber heatshield on muffler clamp.**
 - b) **Install Yoshimura heatshield onto tailpipe.**

2. *Installing the header.*
 - a) **Install Yoshimura header using stock header nuts. Do not torque at this time.**
 - b) **Install chassis mount bolt using stock bolt, washer, and nut. See diagram for orientation.**

3. *Installing the muffler tailpipe assembly.*
 - a) **Slide muffler clamp over Yoshimura muffler.**
 - b) **Insert tailpipe into header.**
 - c) **Align muffler clamp to muffler mount and re-install stock bolt, washer, and nut. See diagram for orientation. (Note: Removal of muffler springs may be required to twist tailpipe and/or muffler independently to achieve desired alignment.)**
 - d) **Install header to tailpipe springs.**
 - e) **Torque header nuts to 23 Nm (2.3 kg-m, 17 ft-lb).**
 - f) **Torque chassis mount bolt and muffler mount bolt to 23 Nm (2.3 kg-m, 17 ft-lb).**
 - g) **Re-install lower fairing bolt.**

4. *Fitment check and Notes.*
 - a) **Before starting motorcycle, check for proper clearance between new exhaust system and rear suspension (i.e. tire, swing-arm, brake, rear shock, engine, and etc.) If any problem is found, please carefully follow through the installation steps again. If problem still persists, please call Yoshimura Tech Department at (800) 634-9166 / in CA (909) 628-4722.**
 - b) **It is recommended that the muffler and tailpipe be wiped down with rubbing alcohol to remove oil and fingerprints. This will help prevent tarnishing of the finish after the exhaust is heated up.**
 - c) **NOTE: After starting motorcycle, it is normal for new exhaust system and muffler to emit smoke until oil residue burns off.**