



RACE SERIES

Qualified Manufacturer Declared "Modified Part"


APPLICATION


YEAR	MODEL
2013-2016	Honda CRF250L


PRODUCT

123502D521	RS4 SS Slip-On Exhaust System with Stainless Steel Sleeve: Carbon Fiber Endcap
------------	--

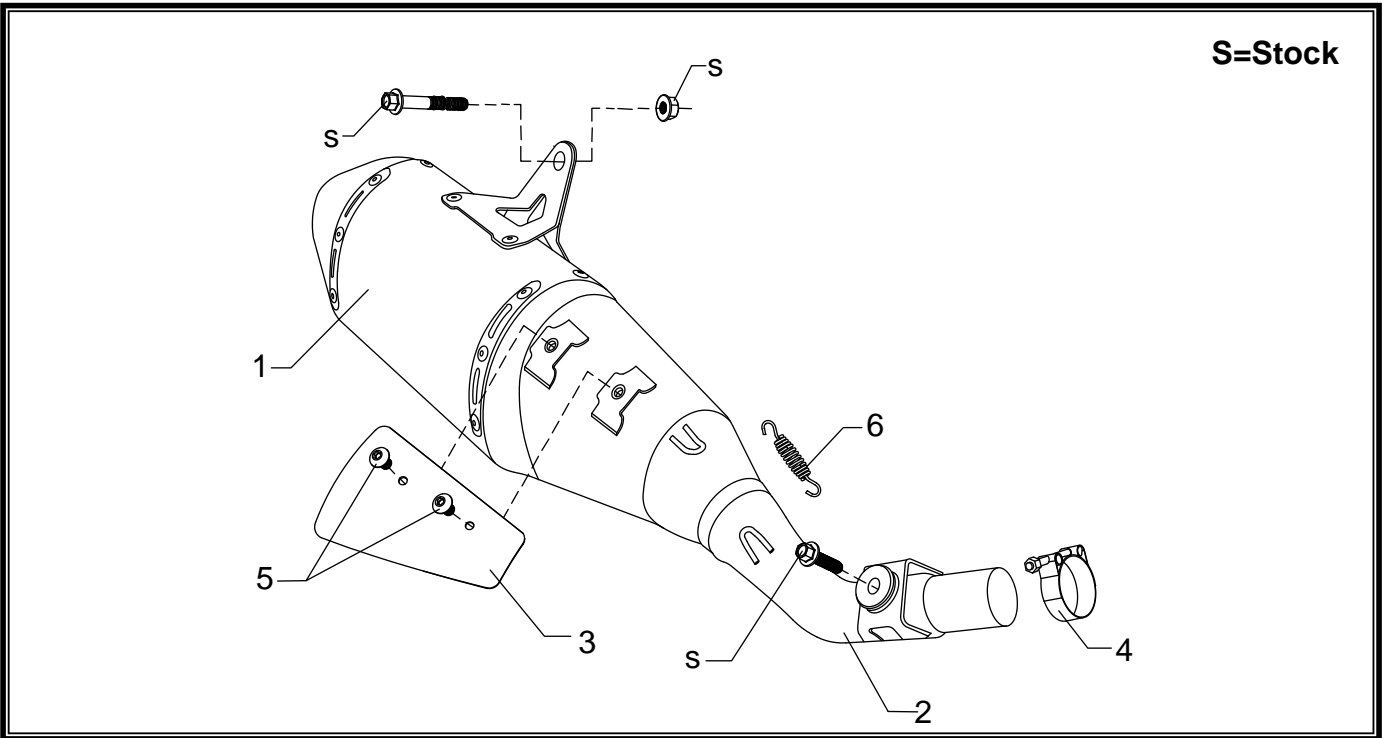
FOR CLOSED COURSE COMPETITION ONLY; NOT INTENDED FOR STREET USE

- 

This product is designed for use in closed course racing and is not intended for highway use. In the state of California, it is illegal to modify the emission control system, which includes the fuel injection of any vehicle.
- 

You must know how to remove and replace your stock exhaust in order to install this product otherwise have it installed by a professional mechanic. Keep all stock parts from your existing system as some components may be necessary to install your new Yoshimura exhaust depending on the application.
- 

Read through all instructions before beginning installation. Exhaust system can be extremely hot. Let motorcycle cool down before beginning installation. Always wear hand and eye protection and take precautionary measures to avoid injury.



No.	Part #	Description	Qty
1	123500D521-RMA	Yoshimura Muffler	1
2	12350-435-1	Yoshimura Tailpipe	1
3	12350-HS	Yoshimura Heatshield	1
4	27-51M	Exhaust Clamp	1
5	RC116HSB-BK	6mm x 8mm Flanged Button Head Screw	2
6	RACE-SPS-1	Medium Exhaust Spring	1
**	347PLUG	Muffler Wash Plug	1
**	ST-200	Spring Puller Tool	1
**	17029	Yoshimura Sticker Sheet	1

-TOOLS REQUIRED-

Metric Socket Set • Combination Wrench Set • Torque Wrench • Metric Allen Wrench Set

-REMOVAL-

- 1. Remove the plastic muffler heatshield.***
- 2. Loosen stock exhaust clamp.***
- 3. Remove stock chassis mount bolt securing tailpipe to frame.***
- 4. While securely supporting the stock muffler assembly, remove the muffler mount bolt and carefully remove stock muffler.***

Note: The stock exhaust gasket will not be used with the Yoshimura exhaust system.

-INSTALLATION-

- 1. Slide provided exhaust clamp over Yoshimura tailpipe.***
- 2. Install Yoshimura muffler assembly by sliding Yoshimura tailpipe over stock header outlet.***
- 3. Align Yoshimura tailpipe mount to chassis mount and re-install stock chassis mount bolt. Do not torque bolt at this time.***
- 4. Secure Yoshimura muffler to muffler mount using the stock muffler mount bolt and nut. See diagram for proper orientation and order of hardware. Torque muffler mount bolt to factory specification.***
- 5. Torque chassis mount bolt to factory specification.***
- 6. Torque exhaust clamp to 6 ft-lb (8.5 Nm, 0.86 kg-m).***
- 7. Install Yoshimura heatshield using bolts provided in the kit. See diagram for proper orientation.***
- 8. Before starting motorcycle, check for proper clearance between new exhaust system and rear suspension (i.e. tire, swing-arm, brake, rear shock, engine, and etc.) If any problem is found, please carefully follow through the installation steps again. If problem still persists, please call Yoshimura Tech Department at (800) 634-9166 / in CA (909) 628-4722.***
- 9. It is recommended that the muffler and tailpipe be wiped down with rubbing alcohol to remove oil and fingerprints. This will help prevent tarnishing of the finish after the exhaust is heated up.***

NOTE: After starting motorcycle, it is normal for new exhaust system and muffler to emit smoke until oil residue burns off.