

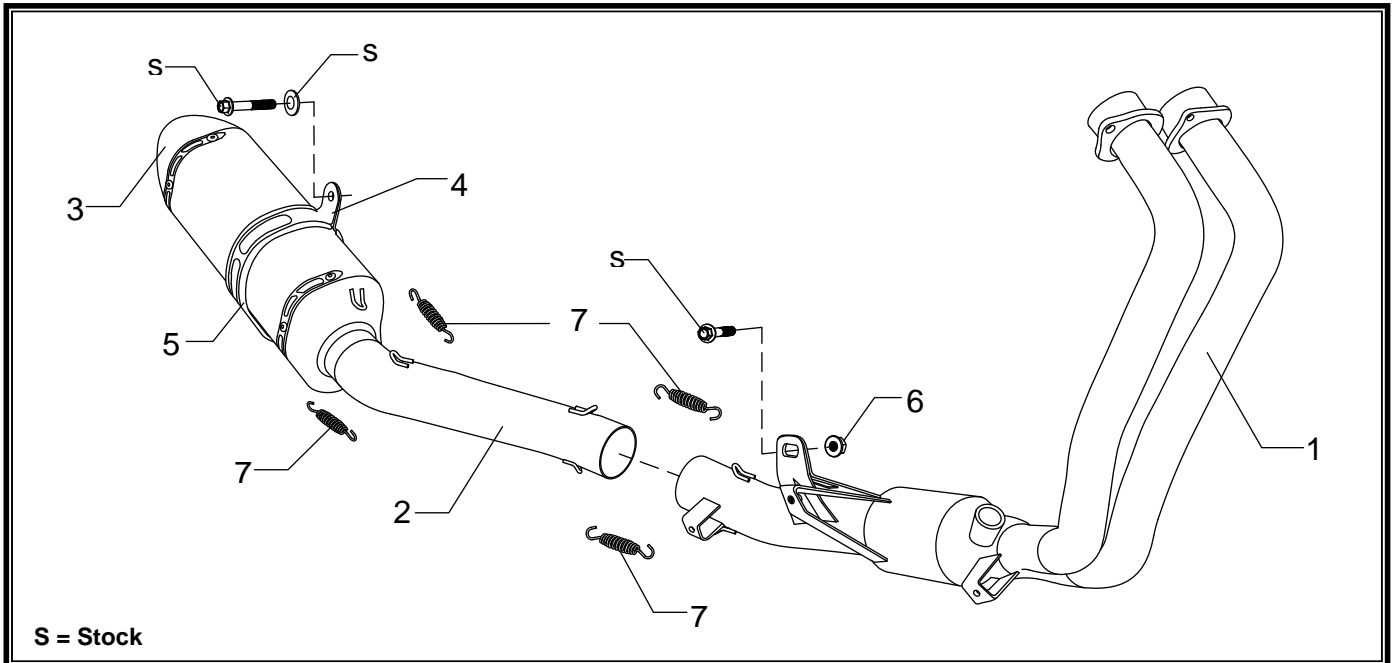


# PERFORMANCE EXHAUST SYSTEM

## APPLICATION

YEAR	MODEL
2013	Honda CB500F
PRODUCT	
1250000220	R77 SS Full-System Exhaust with Carbon Fiber Sleeve; Carbon Fiber Endcap
1250000520	R77 Full-System Exhaust with Stainless Steel Sleeve; Carbon Fiber Endcap

!	<i>This product is designed for use in closed course racing and is not intended for highway use. In the state of California, it is illegal to modify the emission control system, which includes the fuel injection of any vehicle.</i>
!	<i>You must know how to remove and replace your stock exhaust in order to install this product otherwise have it installed by a professional mechanic. Keep all stock parts from your existing system as some components may be necessary to install your new Yoshimura exhaust depending on the application.</i>
!	<i>Read through all instructions before beginning installation. Exhaust system can be extremely hot. Let motorcycle cool down before beginning installation. Always wear hand and eye protection and take precautionary measures to avoid injury.</i>



No.	Part #	Description	Qty
1	12500-401	Yoshimura Header	1
2	12500-419	Yoshimura Tailpipe	1
3		Yoshimura Muffler	1
	CRR77F126W	Carbon Fiber Sleeve; CF Endcap	
	SRR77F126W	Stainless Steel Sleeve; CF Endcap	
4		Muffler Clamp	1
	1121-MPCR	Use with CF Sleeve	
	1121-MPCRX	Use with SS Sleeve	
5	HT SHLDR77	Yoshimura Muffler Clamp Heatshield	1
6	8MMNUT	8mm Flange Nut	1
7	RACE-SPS-1	Medium Spring	4
**	INS-04-K	Low Volume Sound Insert	1
**	ST-200	Spring Puller Tool	1
**	17029	Yoshimura Sticker Sheet	1

**-TOOLS REQUIRED-**

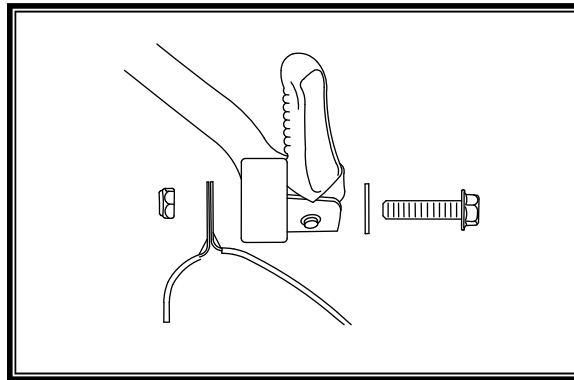
*Metric Socket Set • Combination Wrench Set • Torque Wrench  
Metric Allen Wrench Set • Screwdriver*

**-REMOVAL-**

1. Loosen the stock exhaust clamp.
2. While securely supporting the muffler, remove muffler mount bolt and slide stock muffler toward the rear of the bike off of the stock header.
3. Remove the heatshield by removing the (3) bolts securing heatshield to the stock header.
4. Remove O2 sensor from the stock header.
5. Remove chassis mount bolt securing the stock header to the frame.
6. While securely supporting the header, remove the (4) header nuts and carefully remove stock header. The stock exhaust port gaskets will be re-used with the Yoshimura Full-System exhaust. Inspect and replace if necessary.

**-INSTALLATION-**

1. Install Yoshimura header using the stock header nuts. Do not torque at this time.
2. Install stock chassis mount bolt and 8mm nut provided in the kit. Do not torque bolt at this time.  
*Note: Install Yoshimura header chassis mount on the inside of the stock mounting location.*
3. Slide clamp over Yoshimura muffler.
4. Slide Yoshimura muffler assembly over Yoshimura header outlet.
5. Align muffler clamp to stock muffler mount and install using stock bolt, stock washer, and stock nut. Do not torque at this time. See diagram for proper orientation.



**NOTE: Muffler clamp mounts to the inside of the muffler mount.**

6. Install provided springs onto tailpipe to header connection.
7. Torque muffler mount bolt, chassis mount bolt, and header nuts to 17 ft-lb (23 Nm, 2.3 kg-m).
8. Torque header nuts to factory specification.
9. Install O2 sensor onto Yoshimura header.
10. Re-install stock heatshield onto Yoshimura header using stock hardware.
11. Before starting motorcycle, check for proper clearance between new exhaust system and rear suspension (i.e. tire, swing-arm, brake, rear shock, engine, and etc.) If any problem is found, please carefully follow through the installation steps again. If problem still persists, please call Yoshimura Tech Department at (800) 634-9166 / in CA (909) 628-4722.
12. It is recommended that the muffler and tailpipe be wiped down with rubbing alcohol to remove oil and fingerprints. This will help prevent tarnishing of the finish after the exhaust is heated up.  
*Note: After starting motorcycle, it is normal for new exhaust system and muffler to emit smoke until oil residue burns off.*