



# RACE SERIES

## Qualified Manufacturer Declared "Modified Part"

### APPLICATION

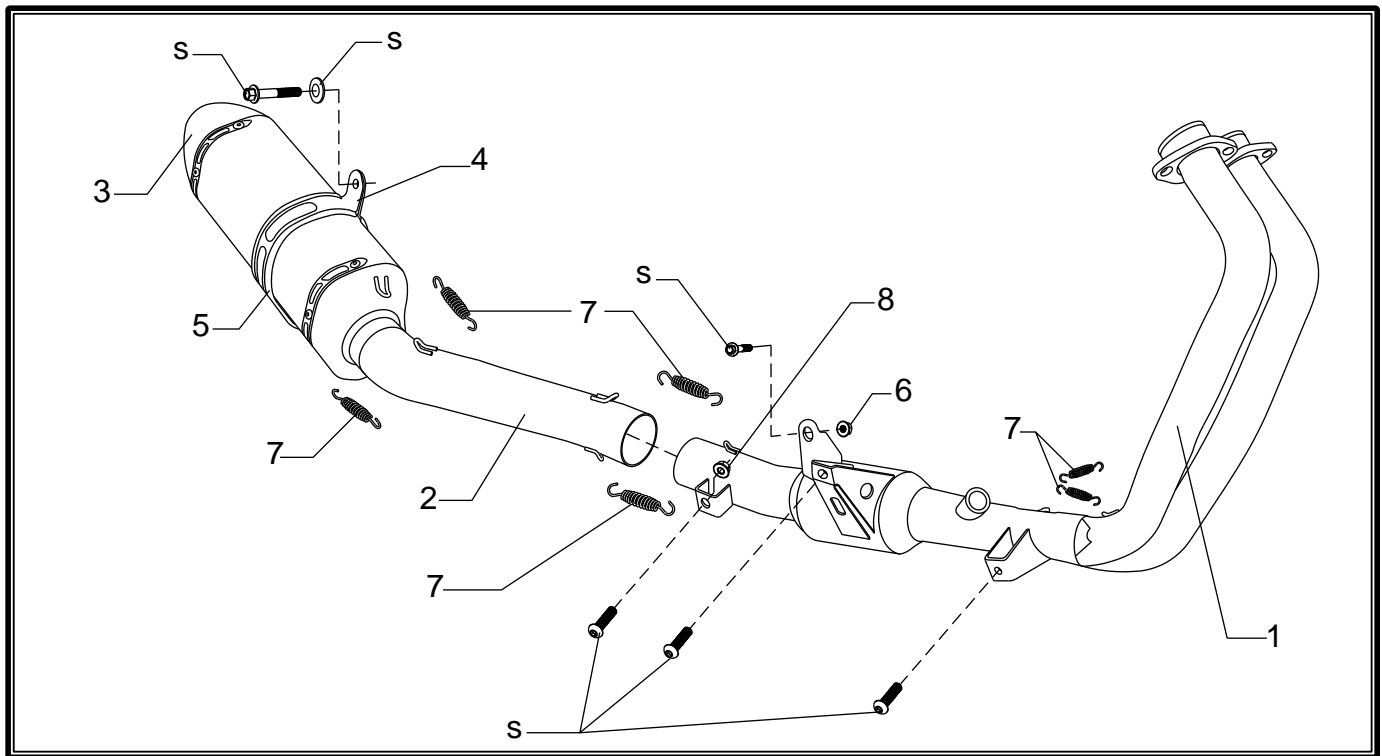
| YEAR      | MODEL         |
|-----------|---------------|
| 2013-2015 | Honda CB500F  |
| 2013-2015 | Honda CBR500R |
| 2013-2016 | Honda CB500X  |

## FOR CLOSED COURSE COMPETITION ONLY; NOT INTENDED FOR STREET USE

### PRODUCT

|            |   |
|------------|---|
| 1256100220 | R77 SS Full-System Exhaust with Carbon Fiber Sleeve: Carbon Fiber Endcap    |
| 1256100520 | R77 SS Full-System Exhaust with Stainless Steel Sleeve: Carbon Fiber Endcap |

|  |   |
|--|---|
|  | <i>This product is designed for use in closed course racing and is not intended for highway use. In the state of California, it is illegal to modify the emission control system, which includes the fuel injection of any vehicle.</i>   |
|  | <i>You must know how to remove and replace your stock exhaust in order to install this product otherwise have it installed by a professional mechanic. Keep all stock parts from your existing system as some components may be necessary to install your new Yoshimura exhaust depending on the application.</i> |
|  | <i>Read through all instructions before beginning installation. Exhaust system can be extremely hot. Let motorcycle cool down before beginning installation. Always wear hand and eye protection and take precautionary measures to avoid injury.</i>   |
|  | <i>This product cannot be used with the OEM optional center stand.</i>  |



| No. | Part #                   | Description   | Qty |
|-----|--------------------------|---|-----|
| 1   | 12550-401-1              | Yoshimura Header  | 1   |
| 2   | 12500-419                | Yoshimura Tailpipe  | 1   |
| 3   | CRR77F126W<br>SRR77F126W | Yoshimura Muffer<br>Carbon Fiber Sleeve; CF Endcap<br>Stainless Steel Sleeve; CF Endcap | 1   |
| 4   | 1121-MPCR<br>1121-MPCR X | Muffer Clamp<br>Use with CF Sleeve<br>Use with SS Sleeve                                | 1   |
| 5   | HT SHLDR77               | Yoshimura Muffer Clamp Heatshield   | 1   |
| 6   | 8MMNUT                   | 8mm Flange Nut  | 1   |
| 7   | RACE-SPS-1               | Medium Spring   | 6   |
| 8   | M6X1HN                   | 6mm Flange Nut  | 1   |
| **  | OXYBA12X125SS            | O2 Bung Adapter (for '16 CB500X)  | 1   |
| **  | INS-04-K                 | Low Volume Sound Insert   | 1   |
| **  | ST-200                   | Spring Puller Tool  | 1   |
| **  | 17029                    | Yoshimura Sticker Sheet   | 1   |

## **-TOOLS REQUIRED-**

*Metric Socket Set • Combination Wrench Set • Torque Wrench • Metric Allen Wrench Set*

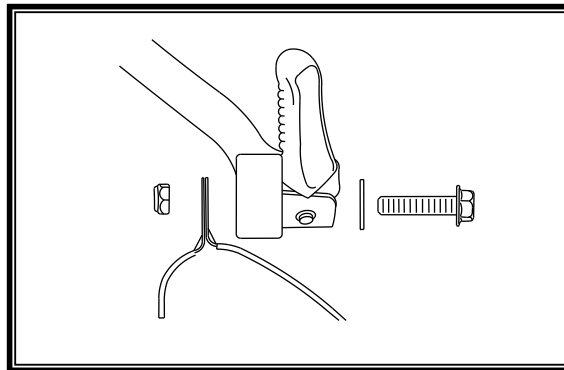
## **-REMOVAL-**

1. **Loosen the stock exhaust clamp.**
2. **While securely supporting the muffler, remove muffler mount bolt and slide stock muffler toward the rear of the bike off of the stock header.**
3. **Remove the heatshield by removing the (3) bolts securing heatshield to the stock header.**
  - a) **For CBR500R remove right side fairing as per factory service/owners manual.**
4. **Remove O2 sensor from the stock header.**
5. **Remove chassis mount bolt securing the stock header to the frame.**
6. **While securely supporting the header, remove the (4) header nuts and carefully remove stock header. The stock exhaust port gaskets will be re-used with the Yoshimura Full-System exhaust. Inspect and replace if necessary.**

## **-INSTALLATION-**

1. **Install the (2) header springs on header legs. It may be difficult to install header springs after header is installed on the bike.**
2. **Install Yoshimura header using the stock header nuts. Do not torque at this time.**
3. **Install stock chassis mount bolt and 8mm nut provided in the kit. Do not torque bolt at this time.**

*Note: Install Yoshimura header chassis mount on the inside of the stock mounting location.*
4. **Slide clamp over Yoshimura muffler.**
5. **Slide Yoshimura muffler assembly over Yoshimura header outlet.**
6. **Align muffler clamp to stock muffler mount and install using stock bolt, stock washer, and stock nut. Do not torque at this time. See diagram for proper orientation.**



**NOTE: Muffler clamp mounts to the inside of the muffler mount.**

7. **Install provided springs onto tailpipe to header connection.**
8. **Torque muffler mount bolt and chassis mount bolt to 17 ft-lb (23 Nm, 2.3 kg-m).**
9. **Torque header nuts to factory specification.**
10. **Install O2 sensor onto Yoshimura header.**

*Note: For 2016 CB500X, install supplied O2 sensor bung adapter.*
11. **Re-install right side fairing using the opposite steps of removal.**
12. **Re-install stock heatshield onto Yoshimura header using stock heatshield bolts and provided 6mm flange nut. See diagram for proper orientation. Torque heatshield bolts to factory specification.**
13. **Before starting motorcycle, check for proper clearance between new exhaust system and rear suspension (i.e. tire, swing-arm, brake, rear shock, engine, and etc.) If any problem is found, please carefully follow through the installation steps again. If problem still persists, please call Yoshimura Tech Department at (800) 634-9166 / in CA (909) 628-4722.**
14. **It is recommended that the muffler and tailpipe be wiped down with rubbing alcohol to remove oil and fingerprints. This will help prevent tarnishing of the finish after the exhaust is heated up.**

*Note: After starting motorcycle, it is normal for new exhaust system and muffler to emit smoke until oil residue burns off.*

Dear Yoshimura Customer,

Congratulations and thank you for purchasing a Yoshimura Exhaust System. Over six decades of experience in research and development, state of the art machinery, materials and craftsmanship of the highest quality all come together in a product of exceptional quality and performance—in other words, this is the best thing you can put on your bike.

We strive to provide you with a product perfect in fit and finish. However, if you have any problems, please give us a call. We have found that most fitment issues can be easily resolved by a conversation with one of our knowledgeable and friendly staff. If the issue cannot be resolved this way, our warranty evaluation program may be the answer. Please take a moment to review our recommendations for the care of your exhaust and our warranty information.

**PLEASE NOTE:** If you have any doubts about your exhaust: **DO NOT START THE MOTORCYCLE! ONCE AN EXHAUST HAS BEEN USED OR MODIFIED, IT CANNOT BE RETURNED FOR CREDIT OR EXCHANGE.**

## EXHAUST SYSTEM MAINTENANCE

Yoshimura Exhaust Systems require very little care and maintenance; here are a few tips:

1. Use mild car/motorcycle soap to clean the exhaust system—do not use any abrasives or degreasers.
2. Clean your exhaust with metal/stainless polish every 1-2 months to retain the luster and remove dirt and grime.  
(DO NOT USE POLISH ON “WORKS FINISH” SYSTEMS)
3. Avoid contaminating exhaust surfaces when hot.
4. Your exhaust system will change color (blue, magenta, purple, and/or gold) due to heat; this is normal.
5. Keep all clamps, bolts and other fasteners tight as exhaust systems are susceptible to vibration damage.
6. If you ride in coastal regions or areas that use salt to control ice and snow, wipe the exhaust down after it cools to remove any possible salt residue, which can result in rusting.
7. If you are storing your motorcycle for the season, wipe the exhaust system down with rubbing alcohol before storage.
8. Head pipes glowing (visible in normal light) may indicate an excessively lean condition that must be corrected.

### CARBON FIBER:

Carbon fiber equipped exhaust components require special attention.

The following addresses wear issues directly related to carbon fiber:

1. Keep all clamps, bolts and other fasteners tight. Carbon Fiber is very susceptible to vibration damage.
2. Keep all chemicals and solvents away from the carbon fiber, as they will damage the finish.
3. High temperatures will cause the resin in the carbon fiber to break down. Visual signs such as an amber hue in the resin may be early signs of heat damage to carbon fiber.
4. Upon seeing amber colored resin, discontinue use. The exhaust system needs to be inspected by a representative from Yoshimura, for repack, and/or repair. Continued use will cause component failure.

### STAINLESS STEEL:

Stainless Steel is not rust proof but is less prone to rusting, staining and pitting; but it is prone to oxidation like all metals.

### WORKS FINISH:

1. Works Finish exhaust systems should never be cleaned with abrasives or polishes.
  2. Yoshimura recommends using “Bar Keepers Friend” cleaner to remove minor stains.
  3. Surface reconditioning services are available to remove scratches and undesirable discoloration due to extreme heat.
- Contact Yoshimura Tech Department at (800) 634-9166 / in CA (909) 628-4722 for more information.

## RE-PACKING TIPS

To maintain maximum sound and engine performance the muffler packing will need to be replaced at some time during the muffler's life. Yoshimura recommends repacking your muffler at least once a year.

Failure to maintain the muffler packing may cause damage to the muffler and/or void the warranty. Regularly inspect the muffler body for discoloration, cracks, rattling, or other signs of wear caused by depleted muffler packing. If muffler packing is determined to be depleted or worn, a Yoshimura muffler re-pack kit is highly recommended to restore the muffler to optimum maximum performance.

Yoshimura offers a 3-5 day turn around (plus transit time) to inspect and refurbish used and damaged mufflers.

**For more information on muffler repacking please visit our website at:**

**<http://www.yoshimura-rd.com/muffler-repacking>**

### IMPORTANT TECHNICAL NOTE

Yoshimura recommends on all race exhaust systems, that all spring joints be safety wired. Recommended wire type 304/316 stainless steel with a .032" diameter should be used.

## YOSHIMURA EXHAUST LIMITED WARRANTY

All Yoshimura R&D of America, Inc., exhaust systems carry a one-year limited warranty against defects in workmanship and/or materials.

### WHO IS COVERED?

This warranty is provided to the original purchaser of the exhaust system.

### WHAT VOIDS THE WARRANTY?

1. Abuse, misuse, improper installation and/or modifications
2. Custom applications
3. No proof of purchase at the time of warranty. Claimant must provide proof of purchase (original receipt or invoice) and a warranty authorization number (RMA) obtained from Yoshimura.
4. Finishes such as plating or painted surfaces with discoloration or rust due to inclement weather conditions, exposure to salt, exposure to chemicals, or lack of maintenance by the customer are not covered.
5. International grey-market product purchased through a dealer/distributor not authorized for your country will not be supported by this warranty.

### EXTENT OF WARRANTY:

Any defective exhaust system properly returned to Yoshimura will be repaired or replaced by Yoshimura. Yoshimura is not responsible for any other expense incurred by the customer under the terms of this limited warranty, nor is Yoshimura responsible for any damages either consequential, incidental, special, contingent or otherwise; or expenses or injury arising directly or indirectly from the use of the exhaust system. Any exhaust system returned to Yoshimura must be sent at the customer's expense along with the proof of purchase and warranty authorization (RMA). Yoshimura reserves the right to determine whether the terms of the warranty, set out above, have been properly followed. In the event that the terms are not followed this warranty is void. Yoshimura is the sole determiner of abuse, misuse, installation errors and modifications—should any of these be found, this warranty is void. The duration of any and all implied warranties are limited to the duration of the express warranty. All incidental or consequential damages are hereby excluded. The warranty gives you specific legal rights and you may have other rights, which vary from state to state. Some states do not allow the exclusion or limitation of incidental or consequential damages or limitations on how long an implied warranty lasts, so the above limitations and exclusions may not apply to you.

**If you have a fitment or other problem, or are missing a part, please double-check this trouble shooting guide first:**

1. Reference your instruction sheet and double-check all drawings and instructions
2. Make sure muffler clamps are installed correctly (refer to instructions diagram). On many models, there is a right and wrong way to install. Also verify part numbers on headers and tail pipe.
3. Always make sure to install spring-mounted manifolds and flanges on cylinder head prior to installing headers.
4. Always take time to examine problems in detail.
5. When all else fails, call our technical support line at (909) 628-4722. The technical line is open 9:00am – 4:30pm Monday through Friday, Pacific Time. Please have the following information handy: Year/Make/Model of motorcycle, date of purchase, place of purchase, batch dates and part numbers (found on header and tail-pipe components).
6. Also, feel free to ask through online e-mail at [sales@yoshimura-rd.com](mailto:sales@yoshimura-rd.com), or fax your question/problems to (909) 591-2198.

**To obtain technical information directly from Yoshimura, call (909) 628-4722.**