






PERFORMANCE EXHAUST SYSTEM

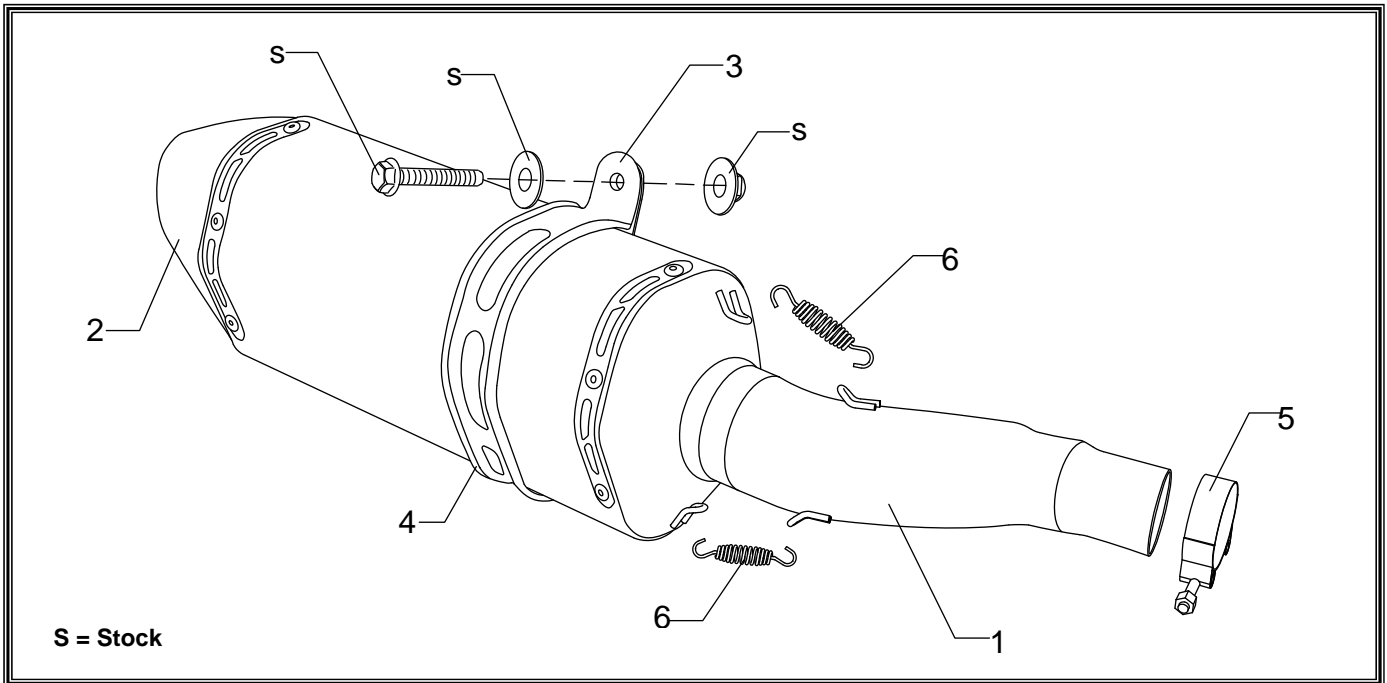
APPLICATION

YEAR	MODEL
2012	Honda NC700X

PRODUCT

1270020220	R77 SS Slip-On Exhaust with Carbon Fiber Sleeve; CF Endcap
1270020520	R77 SS Slip-On Exhaust with Stainless Steel Sleeve; CF Endcap

- 
 This product is designed for use in closed course racing and is not intended for highway use. In the state of California, it is illegal to modify the emission control system, which includes the fuel injection system of any vehicle.
- 
 You must know how to remove and replace your stock exhaust in order to install this product otherwise have it installed by a professional mechanic. Keep all stock parts from your existing system as some components may be necessary to install your new Yoshimura exhaust depending on the application.
- 
 Read through all instructions before beginning installation. Exhaust system can be extremely hot. Let motorcycle cool down before beginning installation. Always wear hand and eye protection and take precautionary measures to avoid injury.



No.	Part #	Description	Qty
1	12700-435	Yoshimura Tailpipe	1
2	CRR77F126W SRR77F126W	Yoshimura Muffler CF Sleeve; CF Endcap SS Sleeve; CF Endcap	1
3	1121-MPCL 1121-MPCLX	Muffler Clamp CF Sleeve Clamp SS Sleeve Clamp	1
4	HT SHLDR77	Muffler Clamp Heat Shield	1
5	22055	Exhaust Clamp	1
6	RACE-SPS-1	Med Spring w/ Insulator 2.3"	2
**	INS-04-K	Sound Insert	1
**	17029	Yoshimura Sticker Sheet	1
**	ST-200	Spring Puller Tool	1

-TOOLS REQUIRED-

Metric Socket Set • Combination Wrench Set • Torque Wrench • Metric Allen Wrench Set

-REMOVAL-

- 1. Remove muffler heatshield bolt and remove heatshield by sliding toward the front of the bike.***
- 2. Loosen exhaust clamp bolt.***
- 3. While securely supporting the stock muffler, remove the muffler mount bolt.***
- 4. Carefully remove stock muffler off of header by sliding toward the rear of the bike.***
Note: The stock exhaust gasket will not be used with the Yoshimura exhaust system.

-INSTALLATION-

- 1. Install rubber heatshield onto provided muffler clamp.***
- 2. Slide provided exhaust clamp over Yoshimura tailpipe.***
- 3. Install Yoshimura muffler assembly by sliding Yoshimura tailpipe over the stock header.***
- 4. Slide muffler clamp over muffler. Align muffler clamp to the inside of the stock muffler mount and install using the stock bolt, washer, and nut.***
- 5. Torque muffler mount to factory specification.***
- 6. Torque exhaust clamp to 10 ft-lbs (13.5 Nm, 1.3 kg-m).***
- 7. Before starting motorcycle, check for proper clearance between new exhaust system and rear suspension (i.e. tire, swing-arm, brake, rear shock, engine, and etc.) If any problem is found, please carefully follow through the installation steps again. If problem still persists, please call Yoshimura Tech Department at (800) 634-9166 / in CA (909) 628-4722.***
- 8. It is recommended that the muffler and tailpipe be wiped down with rubbing alcohol to remove oil and fingerprints. This will help prevent tarnishing of the finish after the exhaust is heated up.***
Note: After starting motorcycle, it is normal for new exhaust system and muffler to emit smoke until oil residue burns off.