



YOSHIMURA

RESEARCH & DEVELOPMENT OF AMERICA, INC.

5420 DANIELS STREET STE A, CHINO CA., 91710 · (800) 634-9166 · (909) 628-4722 · FAX (909) 591-2198

www.yoshimura-rd.com



2018 ~ 2019

Yamaha MT-10

B67-E47A0-T0

R-77 Stainless Steel Slip-On



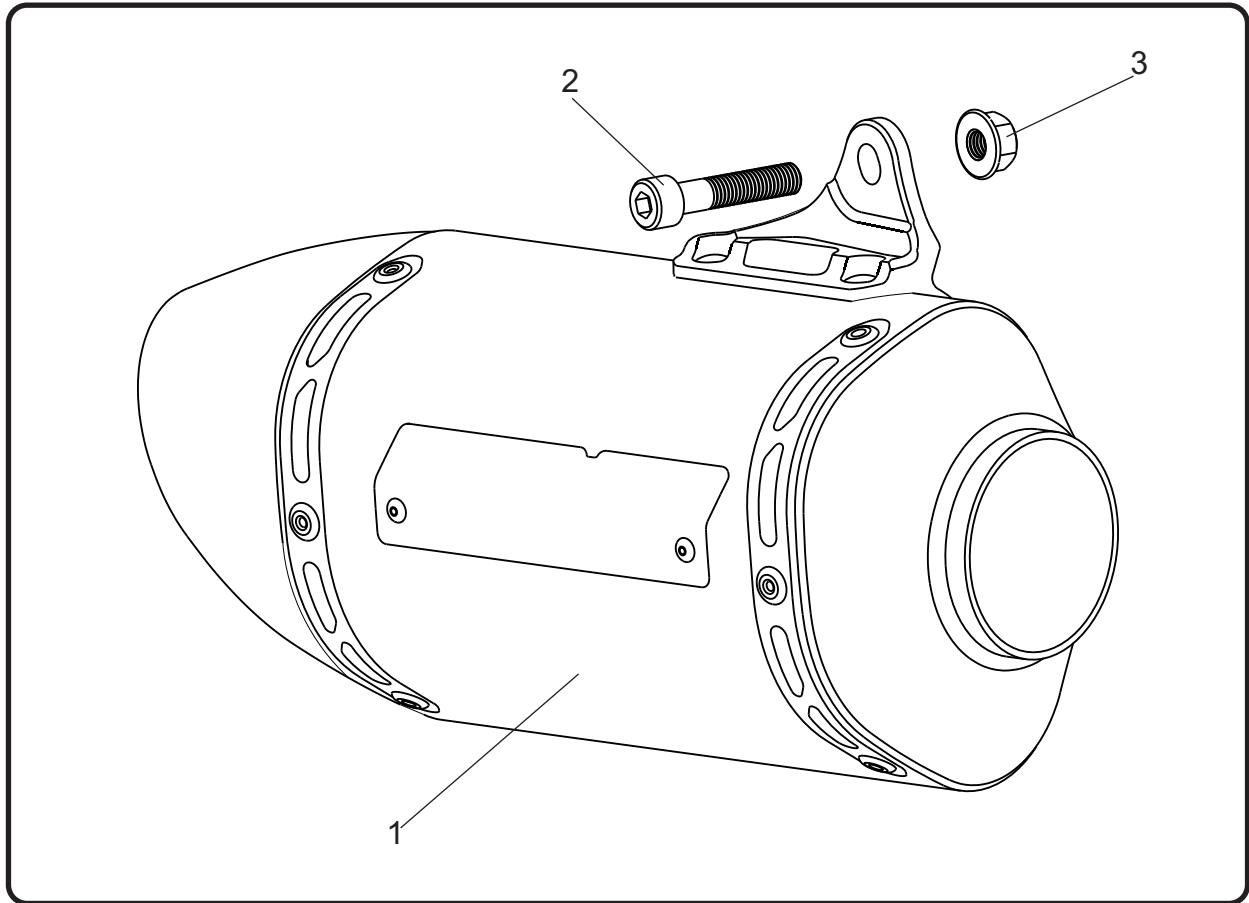
Y-Series systems are:

- CARB/EPA tail-pipe emissions compliant.
- Marked with appropriate EPA noise labels.
- Independent laboratory tested for EPA new vehicle noise compliance.



✘ You must know how to remove and replace your stock exhaust in order to install this product otherwise have it installed by a professional mechanic. Keep all stock parts from your existing system as some components may be necessary to install your new Yoshimura exhaust depending on the application. Read through all instructions before beginning installation. Exhaust system can be extremely hot. Let motorcycle cool down before beginning installation. Always wear hand and eye protection and take precautionary measures to avoid injury. ✘

Assembly Diagram



No.	Item	Description	Qty.
1	****	Y-Series Muffler	1
2	M8X40	8mmX40mm Bolt	1
3	8MMNUT	8mm Flange Nut	1

**** Y-Series muffler replacement part number unavailable. Repair or replacement of Y-Series exhaust system is only available directly through Yoshimura R&D of America, Inc.

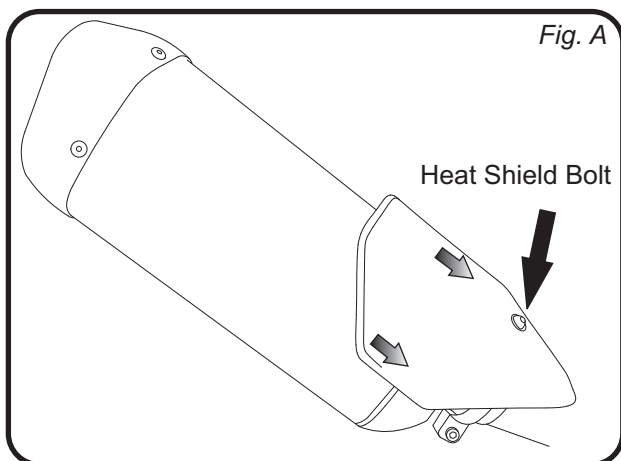
CAUTION: Exhaust system can be extremely hot. Let motorcycle cool down before beginning installation. Always wear hand and eye protection and take precautionary measures to avoid injury.

WARNING: Always properly support vehicle with a stand and/or lift when servicing or performing any work. Unstable vehicles may present dangerous conditions and may cause property damage and/or personal injury.

NOTE: Read through all instructions before beginning installation.

Removal

1. Remove heat shield bolt, then slide stock heat shield away from the muffler as shown in *Fig.A*.

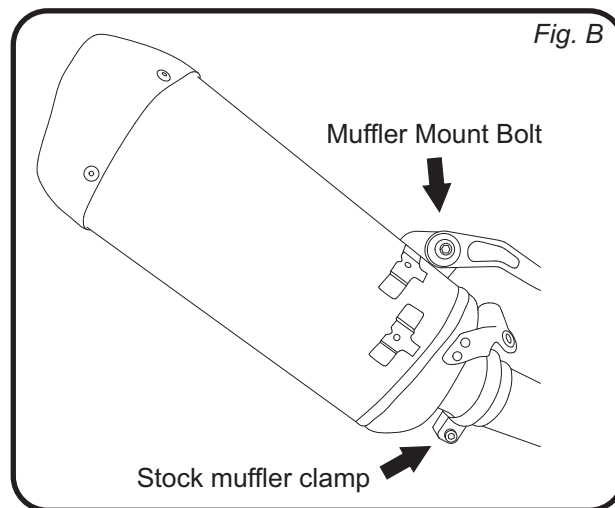


2. Remove the stock muffler clamp.

Note: The stock muffler clamp, exhaust gasket, and stopper ring will not be reused with the Y-Series Slip-On system.

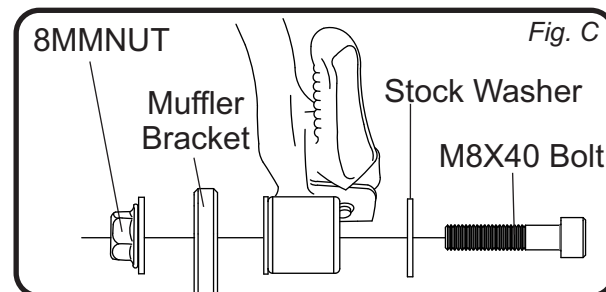
3. While securely supporting the stock muffler, remove the muffler mount bolt and carefully remove the stock muffler assembly by sliding toward the rear of motorcycle.

Note: The stock washer will be reused with the Y-Series Slip-On system.



Installation

1. Install (No. 1) *muffler*, onto the stock header outlet and align muffler bracket to the backside of the stock muffler mount bracket as shown in *Fig. C*.



2. Secure (No. 1) *muffler*, using (No.2) *M8X40* bolt, stock washer and (No. 3) *8MMNUT*, flange nut.
3. Torque (No.2) *M8X40* bolt to 23 Nm (2.3 kg-m, 17 ft-lb).
4. Before starting motorcycle, check for proper clearance between new exhaust system and rear suspension (i.e. tire, swing arm, brakes, rear shock, and etc.) If any problem is found, please carefully follow through the installation steps again. If problem still persists, please call Yoshimura Tech Department at (800) 634-9166 / in CA (909) 628-4722.
5. It is recommended that the muffler and tailpipe be wiped down with rubbing alcohol to remove oil and fingerprints. This will help prevent tarnishing of the finish after the exhaust is heated up.

Note: After starting motorcycle, it is normal for new exhaust system and muffler to emit smoke until oil residue burns off.

**This Page Has
Been Left Blank
Intentionally**

NOISE EMISSION WARRANTY

Yoshimura warrants that this exhaust system, at time of sale, meets all applicable U.S. E.P.A. Federal noise standards. This warranty extends to the first person who buys this exhaust system for purposes other than resale, and to all subsequent buyers. Warranty claims should be directed to Yoshimura R&D of America, Inc. 5420 Daniels St. Chino, CA 91710 | Tel (800) 634-9166

TAMPERING PROHIBITION

Federal law prohibits any modification to this exhaust system which causes the motorcycle to exceed the Federal noise standard. Use of the motorcycle with such a modified exhaust system is also prohibited.

Acts likely to constitute tampering include removal or puncturing the muffler, baffles, header pipes, or any other component which conducts exhaust gases.

WARNING: This product should be checked for repair or replacement if the motorcycle noise has increased significantly through use. Otherwise, the owner may become subject to penalties under state and local ordinances.