

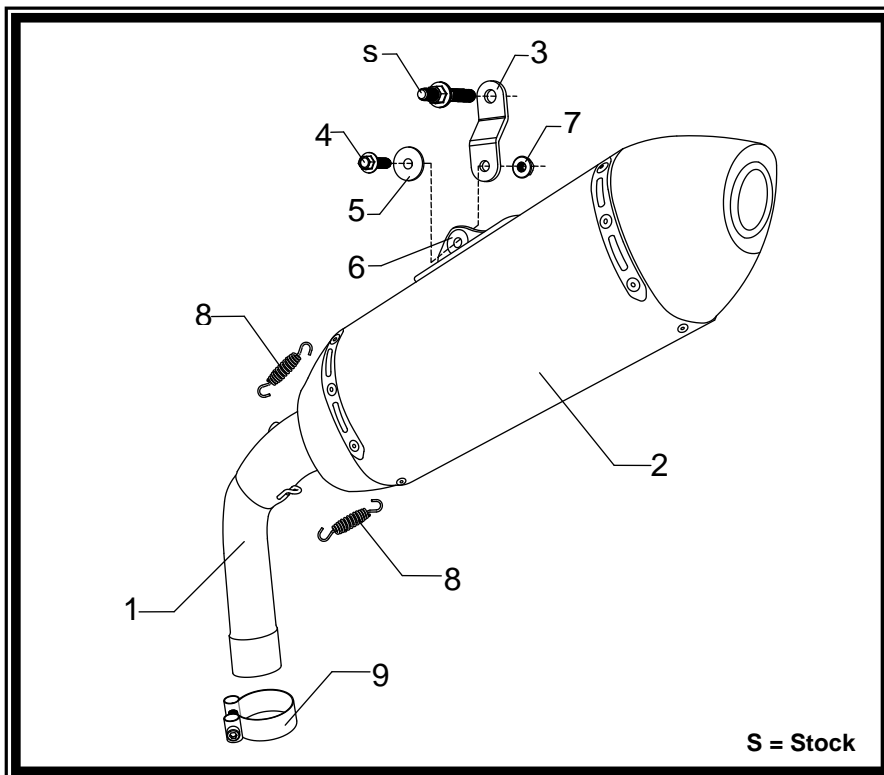


# PERFORMANCE EXHAUST SYSTEM

APPLICATION

YEAR	MODEL
2012-2014	Yamaha Super Tenere
PRODUCT	
131202D520	RS4 SS Slip-On Exhaust System with Stainless Steel Sleeve: Carbon Fiber Endcap

	This product is designed for use in closed course racing and is not intended for highway use. In the state of California, it is illegal to modify the emission control system, which includes the fuel injection of any vehicle.
	You must know how to remove and replace your stock exhaust in order to install this product otherwise have it installed by a professional mechanic. Keep all stock parts from your existing system as some components may be necessary to install your new Yoshimura exhaust depending on the application.
	Read through all instructions before beginning installation. Exhaust system can be extremely hot. Let motorcycle cool down before beginning installation. Always wear hand and eye protection and take precautionary measures to avoid injury.



No.	Part #	Description	Qty
1	13120-435	Yoshimura Tailpipe	1
2	131202D520-LMA	Yoshimura Muffler	1
3	13120-BRKT	Yoshimura Muffler Hanger Bracket	1
4	M8X30H	8mm x 30mm Flanged Hex Head Bolt	1
5	ALS-003	Aluminum Spacer	1
6	Z1022	Rubber Grommet	1
7	8MMNUT	8mm Flange Nut	1
8	RACE-SPS-1	Medium Spring	2
9	27-61M	Exhaust Clamp	1
**	ST-200	Spring Puller Tool	1
**	17029	Yoshimura Sticker Sheet	1

***-TOOLS REQUIRED-***

*Metric Socket Set • Combination Wrench Set • Torque Wrench • Metric Allen Wrench Set*

***-REMOVAL-***

- 1. Remove muffler heatshield by removing the (1) nut and (2) bolts.***
- 2. Loosen stock exhaust clamp at tailpipe and header connection.***
- 3. While securely supporting the muffler, remove the muffler mount bolt.***
- 4. Carefully remove muffler assembly from stock header.***

***-INSTALLATION-***

- 1. Install provided muffler hanger bracket using the stock muffler mounting hardware. (Muffler mount bolt, Spacer, Rubber Bushing, Washer, and Nut)***
- 2. Slide provided exhaust clamp over Yoshimura tailpipe.***
- 3. Install Yoshimura stock muffler assembly onto stock header.***
- 4. Secure muffler to previously installed muffler hanger bracket using provided hardware. See diagram for proper orientation.***
- 5. Torque muffler mount bolt to factory specification.***
- 6. Torque exhaust clamp to factory specification.***
- 7. Re-install muffler heatshield using the reverse steps of removal.***
- 8. Before starting motorcycle, check for proper clearance between new exhaust system and rear suspension (i.e. tire, swing-arm, brake, rear shock, engine, and etc.) If any problem is found, please carefully follow through the installation steps again. If problem still persists, please call Yoshimura Tech Department at (800) 634-9166 / in CA (909) 628-4722.***
- 9. It is recommended that the muffler and tailpipe be wiped down with rubbing alcohol to remove oil and fingerprints. This will help prevent tarnishing of the finish after the exhaust is heated up.***

***NOTE: After starting motorcycle, it is normal for new exhaust system and muffler to emit smoke until oil residue burns off.***