



YOSHIMURA

RESEARCH&DEVELOPMENT OF AMERICA, INC.

5420 DANIELS STREET STE A, CHINO CA., 91710 · (800) 634-9166 · (909) 628-4722 · FAX (909) 591-2198

www.yoshimura-rd.com



2RC-E46D0-V0



B2G-E46D0-V0-00

***Works Finish
R-77 Stainless Full-System
with Integrated Catalytic Converter***

Exempt from CA emissions regulations CCR27156 per executive order E.O.# K-004-6

California ARB Executive Order: K-004-6

Applications: 2015~2017 Yamaha FZ-07

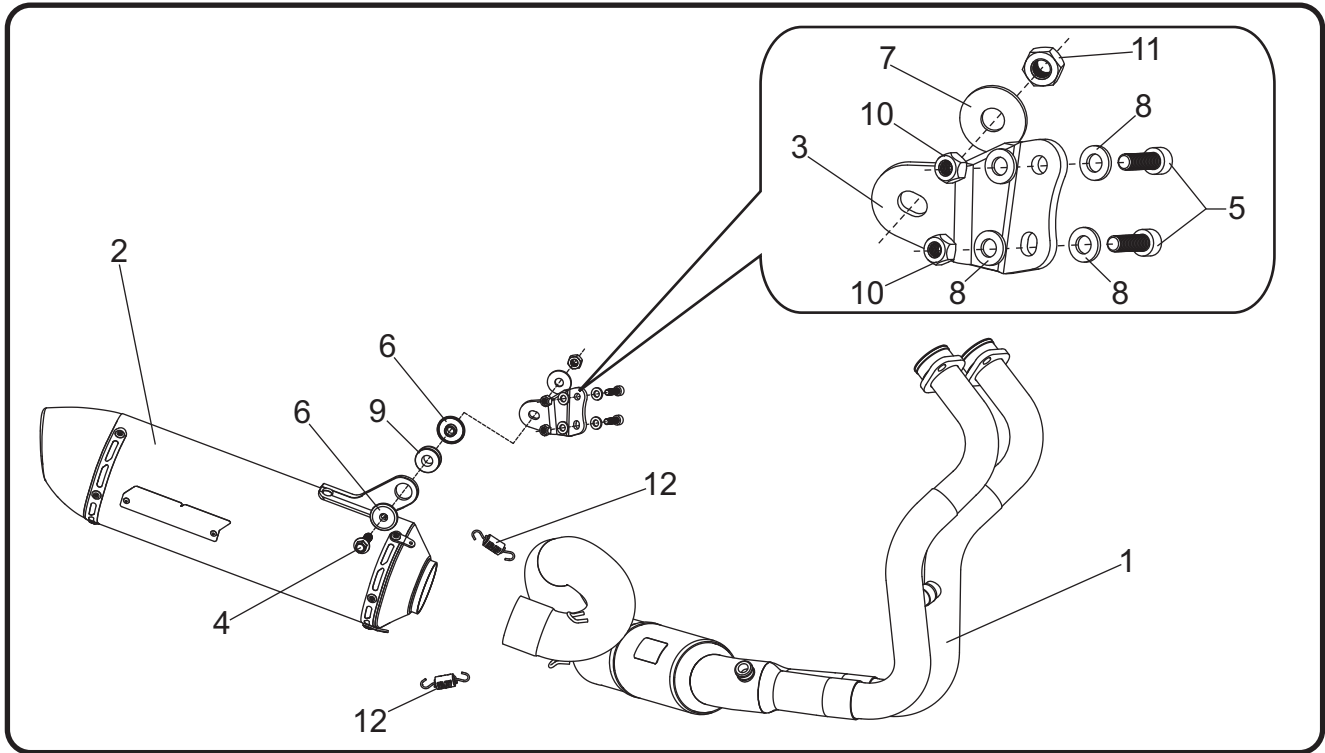
2018 Yamaha XSR700

This Yoshimura R&D exhaust system has been tested and certified to be legal for sale and use on the specified models indicated in this installation manual in the State of California in accordance to the certification requirements as mandated by the California Air Resource Board. Installation and/or use of this exhaust system on applications not specified in this installation manual may be in violation of state and/or federal law and may lead to personal injury and/or death or property damage.

This Yoshimura R&D exhaust system is CARB/EPA tail-pipe emission compliant and is marked with appropriate EPA noise labels.

Yoshimura R&D USA recommends installation of the exhaust system and all components by a qualified technician ONLY.

Assembly Diagram



No.	Item	Description	Qty.
1	13700-401-EO	Y-Series Header	1
2	****	Y-Series Muffler	1
3	13700-BRKT-EO	Muffler Mount Bracket	1
4	M8X35H	8mm x 35mm Flanged Hex Head Bolt	1
5	M6X20	6mm x 20mm Socket Head Cap Bolt	2
6	ALS-043	Aluminum Spacer	2
7	8MMWASHERL	8mm Large Washer	1
8	6MMWASHER	6mm Washer	4
9	Z1023	Rubber Grommet	1
10	6MMLN	6mm Nylon Lock Nut	2
11	8MMNUT	8mm Nut	1
12	RACE-SPX-2	Small Exhaust Spring	2
**	ST-200	Spring Puller Tool	1

** Not shown in diagram.

**** Y-Series muffler replacement part number unavailable. Repair or replacement of Y-Series exhaust system is only available directly through Yoshimura R&D of America, Inc.

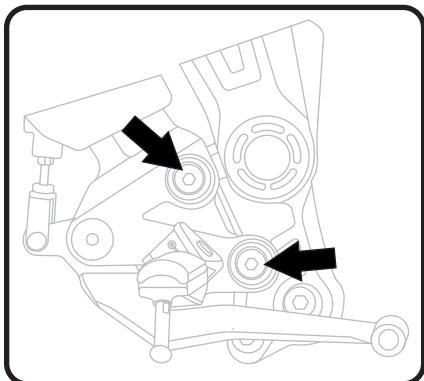
CAUTION: Exhaust system can be extremely hot. Let motorcycle cool down before beginning installation. Always wear hand and eye protection and take precautionary measures to avoid injury.

WARNING: Always properly support vehicle with a stand and/or lift when servicing or performing any work. Unstable vehicles may present dangerous conditions and may cause property damage and/or personal injury.

NOTE: Read through all instructions before beginning installation.

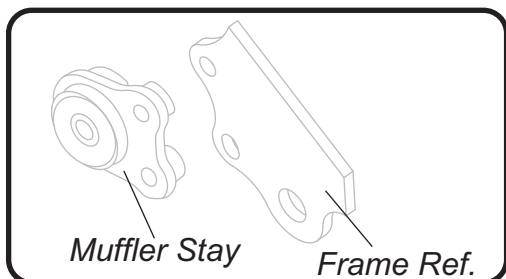
Removal

1. Remove the O2 sensor from the stock header.
2. Remove the two right side footpeg bracket bolts and move footpeg bracket to the side to access muffler mount bolts.



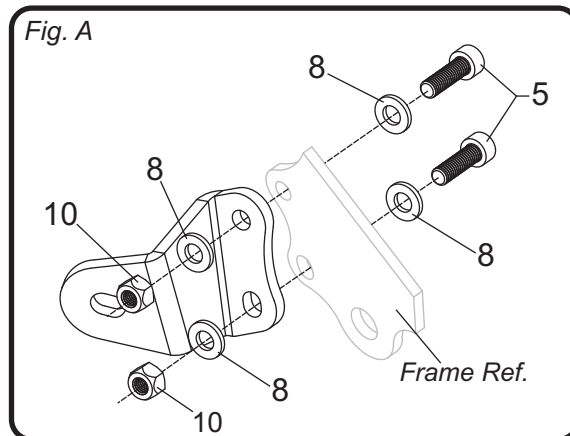
3. Remove the left and right muffler mount bolts securing the stock muffler assembly onto muffler mount bracket.
4. While securely supporting the stock muffler assembly, remove the header nuts and carefully remove the stock muffler assembly.

Note: Remove the stock left and right muffler stays (muffler mount brackets) as they will not be used with the Y-Series full-system.

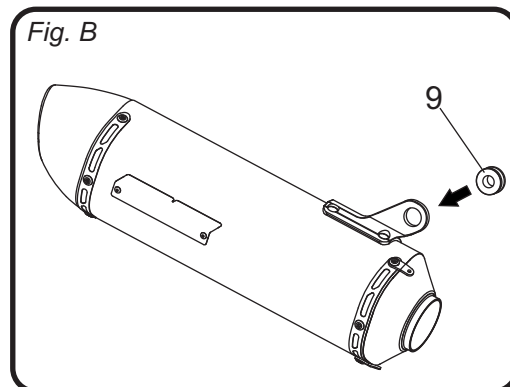


Installation

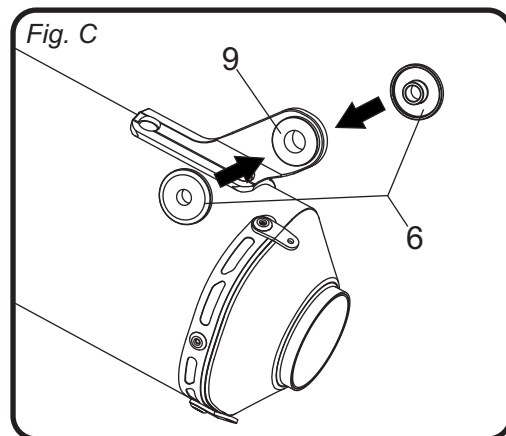
1. Install (No. 3) 13700-BRKT-EO, muffler mount bracket onto frame using (No. 5) M6X20, 6mm bolts, (No. 8) 6MMWASHER, 6mm washer, and (No. 10) 6MMLN, 6mm nuts as shown in Fig. A. Do not torque at this time.



2. Install (No. 9) Z1023, rubber grommet into muffler bracket as shown in Fig. B.



3. Install (No. 6) ALS-043, aluminum spacers onto the frontside and backside of (No. 9) Z1023, rubber grommet as shown in Fig. C.



4. Install (No. 1) *13700-401-EO*, Y-Series header using the stock header nuts. Do not torque at this time.

Note: The stock exhaust pipe gaskets will be re-used with the Y-Series full-system. Inspect and replace gasket if necessary.
5. Install (No. 2) *muffler*, onto (No. 1) *13700-401-EO*, header outlet.
6. Align muffler bracket to (No. 3) *13700-BRKT-EO*, muffler mount bracket and secure using (No. 4) *M8X35H*, 8mm bolt, (No. 7) *8MMWASHERL*, 8mm washer, and (No. 11) *8MMNUT*, 8mm nut as shown on the assembly diagram.
7. Torque (No. 5) *M6X20*, 6mm muffler mount bracket bolts to 9.5 Nm (0.95 kg-m, 7 ft-lb).
8. Torque (No. 4) *M8X35H*, 8mm muffler mount bolt to 23 Nm (2.3 kg-m, 17 ft-lb).
9. Torque header nuts to 20 Nm (2.0 kg-m, 14 ft-lb).
10. Re-install the stock O2 sensor into (No. 1) *13700-401-EO*, header and torque to 25 Nm (2.5 kg-m, 18 ft-lb).
11. Install (No. 12) *RACE-SPX-2*, small exhaust springs between the muffler and header using the supplied *ST-200*, spring puller tool.
12. Re-install the right footpeg bracket using the two stock bolts. Torque to 30 Nm (3.0 kg-m, 22 ft-lb).
13. Before starting vehicle, check for proper clearance between new exhaust system and rear suspension (i.e. tire, control arm, brakes, rear shock, and etc.) If any problem is found, please carefully follow through the installation steps again. If problem still persists, please call Yoshimura Tech Department at (800) 634-9166 / in CA (909) 628-4722.
14. It is recommended that the muffler and tailpipe be wiped down with rubbing alcohol to remove oil and fingerprints. This will help prevent tarnishing of the finish after the exhaust is heated up.

Note: After starting vehicle, it is normal for new exhaust system and muffler to emit smoke until oil residue burns off.

Works Finish Care & Maintenance

Before starting vehicle, clean pipe thoroughly using a soft cloth and rubbing alcohol to remove any oil and finger prints.

The color of the exhaust will change once the system has gone through a heat cycle of 15 minutes or more. Color will vary depending on lean/rich conditions.

Clean using a soft cloth and soap. Do not use abrasive materials as it will scratch the surface.

Surface reconditioning services are available to remove scratches and undesirable discoloration due to extreme heat. Contact Yoshimura Tech Department at (800) 634-9166 / in CA (909) 628-4722 for more information.

NOISE EMISSION WARRANTY

Yoshimura warrants that this exhaust system, at time of sale, meets all applicable U.S. E.P.A. Federal noise standards. This warranty extends to the first person who buys this exhaust system for purposes other than resale, and to all subsequent buyers. Warranty claims should be directed to Yoshimura R&D of America, Inc. 5420 Daniels St. Chino, CA 91710 | Tel (800) 634-9166

TAMPERING PROHIBITION

Federal law prohibits any modification to this exhaust system which causes the motorcycle to exceed the Federal noise standard. Use of the motorcycle with such a modified exhaust system is also prohibited.

Acts likely to constitute tampering include removal or puncturing the muffler, baffles, header pipes, or any other component which conducts exhaust gases.

WARNING: This product should be checked for repair or replacement if the motorcycle noise has increased significantly through use. Otherwise, the owner may become subject to penalties under state and local ordinances.

**This Page Has
Been Left Blank
Intentionally**

Yoshimura Catalyzed Slip-on Exhaust System Limited Warranty

WARRANTY PERIOD FOR CATALYZED EXHAUST SYSTEMS

Yoshimura R&D of America, Inc warrants this catalyzed exhaust system to the original purchase to be free from manufacturing defects for the warranted period as specified below:

- 1) If the vehicle is within 4 years of its original new purchase date, the warranty period extends for 30,000km (18,641mi) or five (5) years from the date of installation, whichever occurs first.
- 2) If the vehicle is older than 4 years from its original new purchase date, the warranty period extends for 15,000km (9,375mi) or three (3) years from the date of installation, whichever occurs first.

Postage paid product registration is included with this kit. Registration MUST be completed within 30 days of product installation. WARRANTY IS VOID IF NO PRODUCT REGISTRATION IS ON FILE AT TIME OF CLAIM.

WARRANTY VOID UPON

- 1) Abuse, misuse, improper installation, and/or modifications included, but not limited to:
 - a. the use of race fuel and/or fuel additives
 - b. leaded fuel
 - c. altered fuel injection or ignition systems
 - d. Other alterations or modifications which affect exhaust emissions

NOTE: The Yoshimura R&D Catalyzed Exhaust System includes a 3-way catalytic converter. The catalytic converter is susceptible to damage from substances including but not limited to lead, manganese, silicon, etc.

- 2) Missing proof of purchase at time of warranty claim. Original purchase must provide proof of purchase (original receipt or invoice) and a warranty authorization number (RMA) issued by Yoshimura R&D.
- 3) Finishes such as plating, painted surfaces with discoloration, or rust due to inclement weather conditions, exposure to salt or chemicals, or lack of maintenance by the customer are not covered.

Extent of Warranty

- 1) Yoshimura R&D of America, Inc hereby warrants to the initial and each subsequent purchaser of this exhaust system that said exhaust system is designed and manufactured to comply with applicable California Air Resources Board requirements and is free from defects in materials and workmanship which might cause the part to fail to conform with applicable California Air Resources Board requirements or cause damage to any original part on the highway motorcycle.
- 2) Yoshimura R&D of America, Inc will repair or replace any defective exhaust system or component caused by manufacturing defects. Any system returned to be inspected for defects MUST have a Return Merchandise Authorization (RMA) which can be issued by our returns department. Yoshimura R&D recommends installation by qualified mechanics only.
- 3) Yoshimura is not responsible for any other expense incurred by the customer under the terms of this limited warranty, nor is Yoshimura responsible for damages either consequential, incidental, special, contingent or otherwise; or expenses or injury arising directly or indirectly from the use of the exhaust system.
- 4) Any exhaust system returned to Yoshimura must be sent at the customer's expense along with the proof of purchase and RMA.
- 5) Yoshimura reserves the right to determine whether the terms of the warranty, as stated above, have been properly followed. In the event that the terms are not followed, this warranty is void. Yoshimura makes the determination of abuse, misuse, installation errors and modifications—the warranty is void upon any of these conditions. The duration of any and all implied warranties are limited to the duration of the express warranty. All incidental or consequential damages are hereby excluded. The warranty gives the customer specific legal rights and the customer may have other rights which may vary from state to state. Some states do not allow the exclusion or limitation of incidental or consequential damages or limitations on the period of implied warranty. Please contact your local attorney to determine if these conditions apply.

Issues and Returns

If you have a fitment problem, missing parts, or other issues, please double-check this trouble shooting guide first:

- 1) Reference the instruction manual and double check all drawings and procedures.
- 2) Make sure ALL components are installed properly. Also verify part numbers on headers, tailpipes, and other components.
- 3) Always take time to examine the problem and/or issue in detail when providing information. The more clear we are on the issue, the better we can assist you.
- 4) When all else fails, call our technical support line at (909) 628-4722. The technical line is open 9:00am – 4:30pm Monday through Friday, Pacific Standard Time. Please have the following information handy:
 - a. Year/Make/Model of Vehicle
 - b. Date and Place of Purchase
 - c. Part Numbers and Batch Dates (stamped on tailpipe and/or muffler)
 - d. Other modifications/alterations to vehicle.
- 5) You may also contact us online via email at sales@yoshimura-rd.com or fax your questions/problems to (909) 591-2198.

Technical Questions:

See your local dealer or call Yoshimura R&D directly. Most jetting and EFI questions can be easily answered with a simple phone call.

To obtain technical information directly from Yoshimura R&D, call (909) 628-4722.